

PYTHON 1.3/0.5/0.3 MegaPixels Global Shutter CMOS Image Sensors

NOIP1SN1300A

FEATURES

- Size Options:
 - ◆ PYTHON 300: 640 x 480 Active Pixels, 1/4" Optical Format
 - ◆ PYTHON 500: 800 x 600 Active Pixels, 1/3.6" Optical Format
 - ◆ PYTHON 1300: 1280 x 1024 Active Pixels, 1/2" Optical Format
- Data Output Options:
 - ◆ P1–SN/SE/FN: 4 LVDS Data Channels
 - ◆ P2–SN/SE: 10 bit Parallel
 - ◆ P3–SN/SE/FN: 2 LVDS Data Channels
- 4.8 μm x 4.8 μm Low Noise Global Shutter Pixels with In-pixel CDS
- Monochrome (SN), Color (SE) and NIR (FN)
- Zero Row Overhead Time (ZROT) Mode Enabling Higher Frame Rate
- Frame Rate at Full Resolution, 4 LVDS Data Channels (P1–SN/SE/FN only)
 - ◆ 210/165 frames per second @ SXGA (ZROT/NROT)
 - ◆ 545/385 frames per second @ SVGA (ZROT/NROT)
 - ◆ 815/545 frames per second @ VGA (ZROT/NROT)
- Frames Rate at Full Resolution (CMOS)
 - ◆ 50/43 Frames per Second @ SXGA (ZROT/NROT)
- On–chip 10–bit Analog–to–Digital Converter (ADC)
- Four/Two/One LVDS High Speed Serial Outputs or Parallel CMOS Output
- Random Programmable Region of Interest (ROI) Readout
- Serial Peripheral Interface (SPI)
- Automatic Exposure Control (AEC)
- Phase Locked Loop (PLL)
- High Dynamic Range (HDR) Modes Possible
- Dual Power Supply (3.3 V and 1.8 V)
- –40°C to +85°C Operational Temperature Range
- 48–pin LCC
- Power Dissipation:
 - ◆ 620 mW (P1, 4 LVDS, ZROT)
 - ◆ 420 mW (P1, P3, 2 LVDS, NROT)
 - ◆ 270 mW (P1, P3, 1 LVDS, NROT)
 - ◆ 420 mW (P2, ZROT)
- These Devices are Pb–Free and are RoHS Compliant

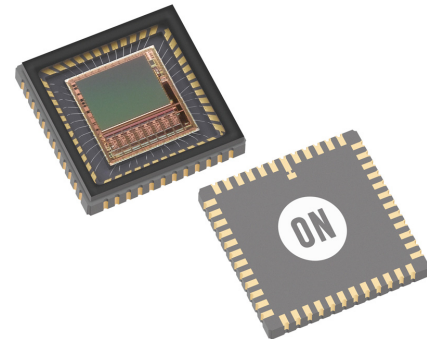


Figure 1. PYTHON 1300

APPLICATIONS

- Machine Vision
- Motion Monitoring
- Security
- Barcode Scanning (2D)

DESCRIPTION

The PYTHON 300, PYTHON 500, and PYTHON 1300 image sensors utilize high sensitivity 4.8 μm x 4.8 μm pixels that support low noise “pipelined” and “triggered” global shutter readout modes. The sensors support correlated double sampling (CDS) readout, reducing noise and increasing dynamic range.

The image sensors have on–chip programmable gain amplifiers and 10–bit A/D converters. The integration time and gain parameters can be reconfigured without any visible image artifact. Optionally the on–chip automatic exposure control loop (AEC) controls these parameters dynamically. The image’s black level is either calibrated automatically or can be adjusted by adding a user programmable offset.

A high level of programmability using a four wire serial peripheral interface enables the user to read out specific regions of interest. Up to eight regions can be programmed, achieving even higher frame rates.

The image data interface of the P1–SN/SE/FN devices consists of four LVDS lanes, enabling frame rates up to 210 frames per second in Zero ROT mode for the PYTHON 1300. Each channel runs at 720 Mbps. A separate synchronization channel containing payload information is provided to facilitate the image reconstruction at the receiving end. The P2–SN/SE devices provide a parallel CMOS output interface at reduced frame rate. The P3–SN/SE/FN devices are the same as the P1–SN/SE/FN but with only two of the four LVDS data channels enabled, facilitating frame rates of 90 frames per second in Normal ROT for the PYTHON 1300.

NOIP1SN1300A

The devices are provided in a 48-pin LCC package and are available in monochrome, Bayer color, and extended near-infrared (NIR) configurations.

ORDERING INFORMATION

| Part Number | Description | Package |
|--------------------|---|------------|
| PYTHON 1300 | | |
| NOIP1SN1300A-QDI | 1.3 Megapixel, Monochrome, LVDS Output | 48-pin LCC |
| NOIP1SE1300A-QDI | 1.3 Megapixel, Bayer Color, LVDS Output | |
| NOIP1FN1300A-QDI | 1.3 Megapixel, Monochrome with enhanced NIR, LVDS Output | |
| NOIP2SN1300A-QDI | 1.3 Megapixel, Monochrome, CMOS (parallel) Output | |
| NOIP2SE1300A-QDI | 1.3 Megapixel, Bayer Color, CMOS (parallel) Output | |
| NOIP1SN1300A-QTI | 1.3 Megapixel, Monochrome, LVDS Output, Protective Foil | |
| NOIP1SE1300A-QTI | 1.3 Megapixel, Bayer Color, LVDS Output, Protective Foil | |
| NOIP1FN1300A-QTI | 1.3 Megapixel, Monochrome with enhanced NIR, LVDS Output, Protective Foil | |
| NOIP3SN1300A-QDI | 1.3 Megapixel, 2 LVDS Outputs, Monochrome | |
| NOIP3FN1300A-QDI | 1.3 Megapixel, 2 LVDS Outputs, NIR enhanced Monochrome | |
| NOIP3SE1300A-QDI | 1.3 Megapixel, 2 LVDS Outputs, Color | |
| NOIP3SN1300A-QTI | 1.3 Megapixel, 2 LVDS Outputs, Monochrome, Protective Foil | |
| NOIP3FN1300A-QTI | 1.3 Megapixel, 2 LVDS Outputs, NIR enhanced Monochrome, Protective Foil | |
| NOIP3SE1300A-QTI | 1.3 Megapixel, 2 LVDS Outputs, Color, Protective Foil | |
| PYTHON 500 | | |
| NOIP1SN0500A-QDI | 0.5 Megapixel, Monochrome, LVDS Output | 48-pin LCC |
| NOIP1SE0500A-QDI | 0.5 Megapixel, Bayer Color, LVDS Output | |
| NOIP1FN0500A-QDI | 0.5 Megapixel, Monochrome with enhanced NIR, LVDS Output | |
| NOIP1SN0500A-QTI | 0.5 Megapixel, Monochrome, LVDS Output, Protective Foil | |
| NOIP1SE0500A-QTI | 0.5 Megapixel, Bayer Color, LVDS Output, Protective Foil | |
| NOIP1FN0500A-QTI | 0.5 Megapixel, Monochrome with enhanced NIR, LVDS Output, Protective Foil | |
| PYTHON 300 | | |
| NOIP1SN0300A-QDI | 0.3 Megapixel, Monochrome, LVDS Output | 48-pin LCC |
| NOIP1SE0300A-QDI | 0.3 Megapixel, Bayer Color, LVDS Output | |
| NOIP1FN0300A-QDI | 0.3 Megapixel, Monochrome with enhanced NIR, LVDS Output | |
| NOIP1SN0300A-QTI | 0.3 Megapixel, Monochrome, LVDS Output, Protective Foil | |
| NOIP1SE0300A-QTI | 0.3 Megapixel, Bayer Color, LVDS Output, Protective Foil | |
| NOIP1FN0300A-QTI | 0.3 Megapixel, Monochrome with enhanced NIR, LVDS Output, Protective Foil | |

The P1-SN/SE/FN base part references the mono, color and NIR enhanced versions of the 4 LVDS interface; the P2-SN/SE base part references the mono and color versions of the CMOS interface; the P3-SN/SE/FN base part references the mono, color and NIR enhanced version of the 2 LVDS interface. More details on the part number coding can be found at http://www.onsemi.com/pub_link/Collateral/TND310-D.PDF

Production Package Mark

- Line 1: NOIPyxxRRRRA where y is either “1” for 4 LVDS Outputs, “2” for CMOS Parallel Output, “3” for 2 LVDS Outputs, where xx denotes mono micro lens (SN) or color micro lens (SE) or NIR micro lens (FN)
RRRR is the resolution (1300), (0500) or (0300)
- Line 2: -QDI (without protective foil), -QTI (with protective foil)
- Line 3: AWLYYWW where AWL is PRODUCTION lot traceability, YYWW is the 4-digit date code

NOIP1SN1300A

SPECIFICATIONS

Key Specifications

Table 1. GENERAL SPECIFICATIONS

| Parameter | Specification |
|---|---|
| Pixel type | In-pixel CDS. Global shutter pixel architecture |
| Shutter type | Pipelined and triggered global shutter |
| Frame rate Zero ROT/ Normal ROT mode | P1-SN/SE/FN: PYTHON 300: 815/545 fps PYTHON 500: 545/385 fps PYTHON 1300: 210/165 fps P2-SN/SE: 50/43 fps P3-SN/SE/FN: NA/90 fps |
| Master clock | P1, P3-SN/SE/FN: 72 MHz when PLL is used, 360 MHz (10-bit) / 288 MHz (8-bit) when PLL is not used P2-SN/SE: 72 MHz |
| Windowing | 8 Randomly programmable windows. Normal, sub-sampled and binned readout modes |
| ADC resolution | 10-bit, 8-bit (Note 1) |
| LVDS outputs | P1-SN/SE/FN: 4/2/1 data + sync + clock P3-SN/SE/FN: 2/1 data + sync + clock |
| CMOS outputs | P2-SN/SE: 10-bit parallel output, frame_valid, line_valid, clock |
| Data rate | P1-SN/SE/FN: 4 x 720 Mbps (10-bit) / 4 x 576 Mbps (8-bit) P2-SN/SE: 72 Mhz P3-SN/SE/FN: 2 x 720 Mbps (10-bit) |
| Power dissipation (10-bit mode) | P1-SN/SE/FN: 620 mW (4 data channels) P1, P3-SN/SE/FN: 420 mW (2 data ch.) P1, P3-SN/SE/FN: 270 mW (1 data ch.) P2-SN/SE: 420 mW |
| Package type | 48-pin LCC |

Table 2. ELECTRO-OPTICAL SPECIFICATIONS

| Parameter | Specification |
|--------------------------------------|--|
| Active pixels | PYTHON 300: 640 (H) x 480 (V) PYTHON 500: 800 (H) x 600 (V) PYTHON 1300: 1280 (H) x 1024 (V) |
| Pixel size | 4.8 μm x 4.8 μm |
| Conversion gain | 0.096 LSB10/e ⁻ 140 $\mu\text{V}/\text{e}^-$ |
| Dark temporal noise | < 9 e ⁻ (Normal ROT, 1x gain) < 7 e ⁻ (Normal ROT, 2x gain) |
| Responsivity at 550 nm | 7.7 V/lux.s |
| Parasitic Light Sensitivity (PLS) | <1/8000 |
| Full Well Charge | 10000 e ⁻ |
| Quantum Efficiency at 550 nm | 56% |
| Pixel FPN | < 1.0 LSB10 |
| PRNU | < 2% or 10 LSB10 on half scale response of 525LSB10 |
| MTF | 68% @ 535 nm - X-dir & Y-dir |
| PSNL at 20°C | 120 LSB10/s, 1200 e ⁻ /s |
| Dark signal at 20°C | 5 e ⁻ /s, 0.5 LSB10/s |
| Dynamic Range | > 60 dB in global shutter mode |
| Signal to Noise Ratio (SNR max) | 40 dB |

Table 3. RECOMMENDED OPERATING RATINGS (Note 2)

| Symbol | Description | Min | Max | Unit |
|----------------|-----------------------------|-----|-----|------|
| T _J | Operating temperature range | -40 | 85 | °C |

Functional operation above the stresses listed in the Recommended Operating Ranges is not implied. Extended exposure to stresses beyond the Recommended Operating Ranges limits may affect device reliability.

Table 4. ABSOLUTE MAXIMUM RATINGS (Notes 3 and 4)

| Symbol | Parameter | Min | Max | Unit |
|-------------------------------|---|------|------|------|
| ABS (1.8 V supply group) | ABS rating for 1.8 V supply group | -0.5 | 2.2 | V |
| ABS (3.3 V supply group) | ABS rating for 3.3 V supply group | -0.5 | 4.3 | V |
| T _S | ABS storage temperature range | -40 | +150 | °C |
| | ABS storage humidity range at 85°C | | 85 | %RH |
| Electrostatic discharge (ESD) | Human Body Model (HBM): JS-001-2010 | 2000 | | V |
| | Charged Device Model (CDM): JESD22-C101 | 500 | | |
| LU | Latch-up: JESD-78 | 100 | | mA |

Stresses exceeding those listed in the Maximum Ratings table may damage the device. If any of these limits are exceeded, device functionality should not be assumed, damage may occur and reliability may be affected.

- The ADC is 11-bit, down-scaled to 10-bit. The PYTHON uses a larger word-length internally to provide 10-bit on the output.
- Operating ratings are conditions in which operation of the device is intended to be functional.
- onsemi recommends that customers become familiar with, and follow the procedures in JEDEC Standard JESD625-A. Refer to Application Note AN52561. Long term exposure toward the maximum storage temperature will accelerate color filter degradation.
- Caution needs to be taken to avoid dried stains on the underside of the glass due to condensation. The glass lid glue is permeable and can absorb moisture if the sensor is placed in a high % RH environment.

NOIP1SN1300A

Table 5. ELECTRICAL SPECIFICATIONS

Boldface limits apply for $T_J = T_{MIN}$ to T_{MAX} , all other limits $T_J = +30^\circ\text{C}$. (Notes 5, 6, 7, 8 and 9)

| Parameter | Description | Min | Typ | Max | Unit |
|-----------|-------------|-----|-----|-----|------|
|-----------|-------------|-----|-----|-----|------|

Power Supply Parameters – P1 – SN/SE/FN LVDS (ZROT)

(NOTE: All ground pins (gnd_18, gnd_33, gnd_colpc) should be connected to an external 0 V ground reference.)

| | | | | | |
|----------|--|--------------|-----|-------------|----|
| vdd_33 | Supply voltage, 3.3 V | 3.2 | 3.3 | 3.4 | V |
| Idd_33 | Current consumption 3.3 V supply | | 140 | | mA |
| vdd_18 | Supply voltage, 1.8 V | 1.7 | 1.8 | 1.9 | V |
| Idd_18 | Current consumption 1.8 V supply | | 80 | | mA |
| vdd_pix | Supply voltage, pixel | 3.25 | 3.3 | 3.35 | V |
| Idd_pix | Current consumption pixel supply | | 5 | | mA |
| Ptot | Total power consumption at vdd_33 = 3.3 V, vdd_18 = 1.8 V P1–SN/SE/FN, 4 LVDS, ZROT | | 620 | | mW |
| Pstby_lp | Power consumption in low power standby mode | | | 50 | mW |
| Popt | Power consumption at lower pixel rates | Configurable | | | |

Power Supply Parameters – P3 – SN/SE/FN LVDS (NROT)

(NOTE: All ground pins (gnd_18, gnd_33, gnd_colpc) should be connected to an external 0 V ground reference.)

| | | | | | |
|----------|---|--------------|------------|-------------|----|
| vdd_33 | Supply voltage, 3.3 V | 3.2 | 3.3 | 3.4 | V |
| Idd_33 | Current consumption 3.3 V supply (2 / 1 LVDS) | | 95 / 55 | | mA |
| vdd_18 | Supply voltage, 1.8 V | 1.7 | 1.8 | 1.9 | V |
| Idd_18 | Current consumption 1.8 V supply (2 / 1 LVDS) | | 55 / 45 | | mA |
| vdd_pix | Supply voltage, pixel | 3.25 | 3.3 | 3.35 | V |
| Idd_pix | Current consumption pixel supply (2 / 1 LVDS) | | 2 / 1 | | mA |
| Ptot | Total power consumption at vdd_33 = 3.3 V, vdd_18 = 1.8 V P3–SN/SE/FN, 2 LVDS, NROT P3–SN/SE/FN, 1 LVDS, NROT | | 420 270 | | mW |
| Pstby_lp | Power consumption in low power standby mode | | | 50 | mW |
| Popt | Power consumption at lower pixel rates | Configurable | | | |

Power Supply Parameters – P2–SN/SE CMOS

| | | | | | |
|----------|---|--------------|-----|-------------|----|
| vdd_33 | Supply voltage, 3.3 V | 3.2 | 3.3 | 3.4 | V |
| Idd_33 | Current consumption 3.3 V supply | | 120 | | mA |
| vdd_18 | Supply voltage, 1.8 V | 1.7 | 1.8 | 1.9 | V |
| Idd_18 | Current consumption 1.8 V supply | | 10 | | mA |
| vdd_pix | Supply voltage, pixel | 3.25 | 3.3 | 3.35 | V |
| Idd_pix | Current consumption pixel supply | | 1 | | mA |
| Ptot | Total power consumption | | 420 | | mW |
| Pstby_lp | Power consumption in low power standby mode | | | 50 | mW |
| Popt | Power consumption at lower pixel rates | Configurable | | | |

I/O – P1–SN/SE/FN, P3–SN/SE/FN LVDS (EIA/TIA–644): Conforming to standard/additional specifications and deviations listed

| | | | | | |
|----------|--|--|--|-----|------|
| fserdata | Data rate on data channels DDR signaling – 4 data channels, 1 synchronization channel | | | 720 | Mbps |
|----------|--|--|--|-----|------|

Product parametric performance is indicated in the Electrical Characteristics for the listed test conditions, unless otherwise noted. Product performance may not be indicated by the Electrical Characteristics if operated under different conditions.

5. All parameters are characterized for DC conditions after thermal equilibrium is established.
6. This device contains circuitry to protect the inputs against damage due to high static voltages or electric fields. However, it is recommended that normal precautions be taken to avoid application of any voltages higher than the maximum rated voltages to this high impedance circuit.
7. Minimum and maximum limits are guaranteed through test and design.
8. Refer to ACSPYTHON1300 available at the Image Sensor Portal for detailed acceptance criteria specifications.
9. For power supply management recommendations, please refer to Application Note AND9158.

NOIP1SN1300A

Table 5. ELECTRICAL SPECIFICATIONS

Boldface limits apply for $T_J = T_{MIN}$ to T_{MAX} , all other limits $T_J = +30^\circ\text{C}$. (Notes 5, 6, 7, 8 and 9)

| Parameter | Description | Min | Typ | Max | Unit |
|-----------|---|-----|------|-----|------|
| fserclock | Clock rate of output clock Clock output for mesochronous signaling | | | 360 | MHz |
| Vicm | LVDS input common mode level | 0.3 | 1.25 | 1.8 | V |
| Tccsk | Channel to channel skew (Training pattern allows per channel skew correction) | | | 50 | ps |

I/O – P2–SN/SE CMOS (JEDEC– JESD8C–01): Conforming to standard/additional specifications and deviations listed

| | | | | | |
|----------|---|-----|-----|-----|------|
| fpardata | Data rate on parallel channels (10–bit) | | | 72 | Mbps |
| Cout | Output load (only capacitive load) | | | 10 | pF |
| tr | Rise time (10% to 90% of input signal) | 2.5 | 4.5 | 6.5 | ns |
| tf | Fall time (10% to 90% of input signal) | 2 | 3.5 | 5 | ns |

Electrical Interface – P1 – SN/SE/FN LVDS

| | | | | | |
|------------------------|---|-----|----|-----|-----|
| fin | Input clock rate when PLL used | | | 72 | MHz |
| fin | Input clock when LVDS input used | | | 360 | MHz |
| tfdc | Input clock duty cycle when PLL used | 45 | 50 | 55 | % |
| tj | Input clock jitter | | | 20 | ps |
| ratspi (= fin/fspi) | 10–bit (4 LVDS channels), PLL used | 6 | | | |
| | 10–bit (2 LVDS channels), PLL used | 12 | | | |
| | 10–bit (1 LVDS channel), PLL used | 24 | | | |
| | 10–bit (4 LVDS channels), LVDS input used | 30 | | | |
| | 10–bit (2 LVDS channels), LVDS input used | 60 | | | |
| | 10–bit (1 LVDS channel), LVDS input used | 120 | | | |
| | 8–bit (4 LVDS channels), PLL used | 6 | | | |
| | 8–bit (2 LVDS channels), PLL used | 12 | | | |
| | 8–bit (1 LVDS channel), PLL used | 24 | | | |
| | 8–bit (4 LVDS channels), LVDS input used | 24 | | | |
| | 8–bit (2 LVDS channels), LVDS input used | 48 | | | |
| | 8–bit (1 LVDS channel), LVDS input used | 96 | | | |

Electrical Interface – P2–SN/SE CMOS

| | | | | | |
|------------------------|------------------------|----|----|----|-----|
| fin | Input clock rate | | | 72 | MHz |
| tfdc | Input clock duty cycle | 45 | 50 | 55 | % |
| tj | Input clock jitter | | | 20 | ps |
| ratspi (= fin/fspi) | 10–bit, PLL bypassed | 24 | | | |

Electrical Interface – P3 – SN/SE/FN LVDS

| | | | | | |
|------|--------------------------------------|----|----|-----|-----|
| fin | Input clock rate when PLL used | | | 72 | MHz |
| fin | Input clock when LVDS input used | | | 360 | MHz |
| tfdc | Input clock duty cycle when PLL used | 45 | 50 | 55 | % |
| tj | Input clock jitter | | | 20 | ps |

Product parametric performance is indicated in the Electrical Characteristics for the listed test conditions, unless otherwise noted. Product performance may not be indicated by the Electrical Characteristics if operated under different conditions.

5. All parameters are characterized for DC conditions after thermal equilibrium is established.
6. This device contains circuitry to protect the inputs against damage due to high static voltages or electric fields. However, it is recommended that normal precautions be taken to avoid application of any voltages higher than the maximum rated voltages to this high impedance circuit.
7. Minimum and maximum limits are guaranteed through test and design.
8. Refer to ACSPYTHON1300 available at the Image Sensor Portal for detailed acceptance criteria specifications.
9. For power supply management recommendations, please refer to Application Note AND9158.

NOIP1SN1300A

Table 5. ELECTRICAL SPECIFICATIONS

Boldface limits apply for $T_J = T_{MIN}$ to T_{MAX} , all other limits $T_J = +30^\circ\text{C}$. (Notes 5, 6, 7, 8 and 9)

| Parameter | Description | Min | Typ | Max | Unit |
|------------------------|---|-----|-----|-----|------|
| ratspi (= fin/fspi) | 10-bit (2 LVDS channels), PLL used | 12 | | | |
| | 10-bit (1 LVDS channel), PLL used | 24 | | | |
| | 10-bit (2 LVDS channels), LVDS input used | 60 | | | |
| | 10-bit (1 LVDS channel), LVDS input used | 120 | | | |

Frame Specifications – P1–SN/SE/FN–LVDS (ZROT)

| | | Maximum | | Max | Units |
|----------|--------------------------------------|------------|----------|-----|--------|
| | | Normal ROT | Zero ROT | | |
| fps | Frame rate at full resolution | 165 | 210 | | fps |
| fps_roi1 | Xres x Yres = 1024 x 1024 | 195 | 260 | | fps |
| fps_roi2 | Xres x Yres = 800 x 600 | 385 | 545 | | fps |
| fps_roi3 | Xres x Yres = 640 x 480 | 545 | 815 | | fps |
| fps_roi4 | Xres x Yres = 512 x 512 | 580 | 925 | | fps |
| fps_roi5 | Xres x Yres = 256 x 256 | 1400 | 2235 | | fps |
| fpix | Pixel rate (4 channels at 72 Mpix/s) | | | 288 | Mpix/s |

Frame Specifications – P2–SN/SE CMOS

| | | Maximum | | Max | Units |
|-----|-------------------------------|------------|----------|-----|-------|
| | | Normal ROT | Zero ROT | | |
| fps | Frame rate at full resolution | 43 | 50 | | fps |

Frame Specifications – P3–SN/SE/FN LVDS (NROT)

| | | Maximum | | Max | Units |
|----------|--------------------------------------|---------|--------|-----|--------|
| | | 2 LVDS | 1 LVDS | | |
| fps | Frame rate at full resolution | 90 | 45 | | fps |
| fps_roi1 | Xres x Yres = 1024 x 1024 | 110 | 55 | | fps |
| fps_roi2 | Xres x Yres = 800 x 600 | 230 | 120 | | fps |
| fps_roi3 | Xres x Yres = 640 x 480 | 340 | 185 | | fps |
| fps_roi4 | Xres x Yres = 512 x 512 | 375 | 205 | | fps |
| fps_roi5 | Xres x Yres = 256 x 256 | 1110 | 660 | | fps |
| fpix | Pixel rate (4 channels at 72 Mpix/s) | | | 144 | Mpix/s |

Product parametric performance is indicated in the Electrical Characteristics for the listed test conditions, unless otherwise noted. Product performance may not be indicated by the Electrical Characteristics if operated under different conditions.

5. All parameters are characterized for DC conditions after thermal equilibrium is established.
6. This device contains circuitry to protect the inputs against damage due to high static voltages or electric fields. However, it is recommended that normal precautions be taken to avoid application of any voltages higher than the maximum rated voltages to this high impedance circuit.
7. Minimum and maximum limits are guaranteed through test and design.
8. Refer to ACSPYTHON1300 available at the Image Sensor Portal for detailed acceptance criteria specifications.
9. For power supply management recommendations, please refer to Application Note AND9158.

NOIP1SN1300A

Color Filter Array

The PYTHON color sensors are processed with a Bayer RGB color pattern as shown in Figure 2. Pixel (0,0) has a red filter situated to the bottom left.

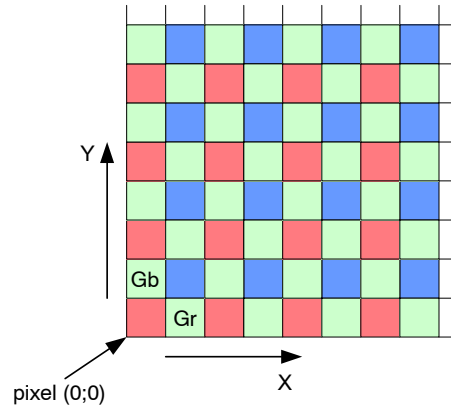


Figure 2. Color Filter Array for the Pixel Array

Quantum Efficiency

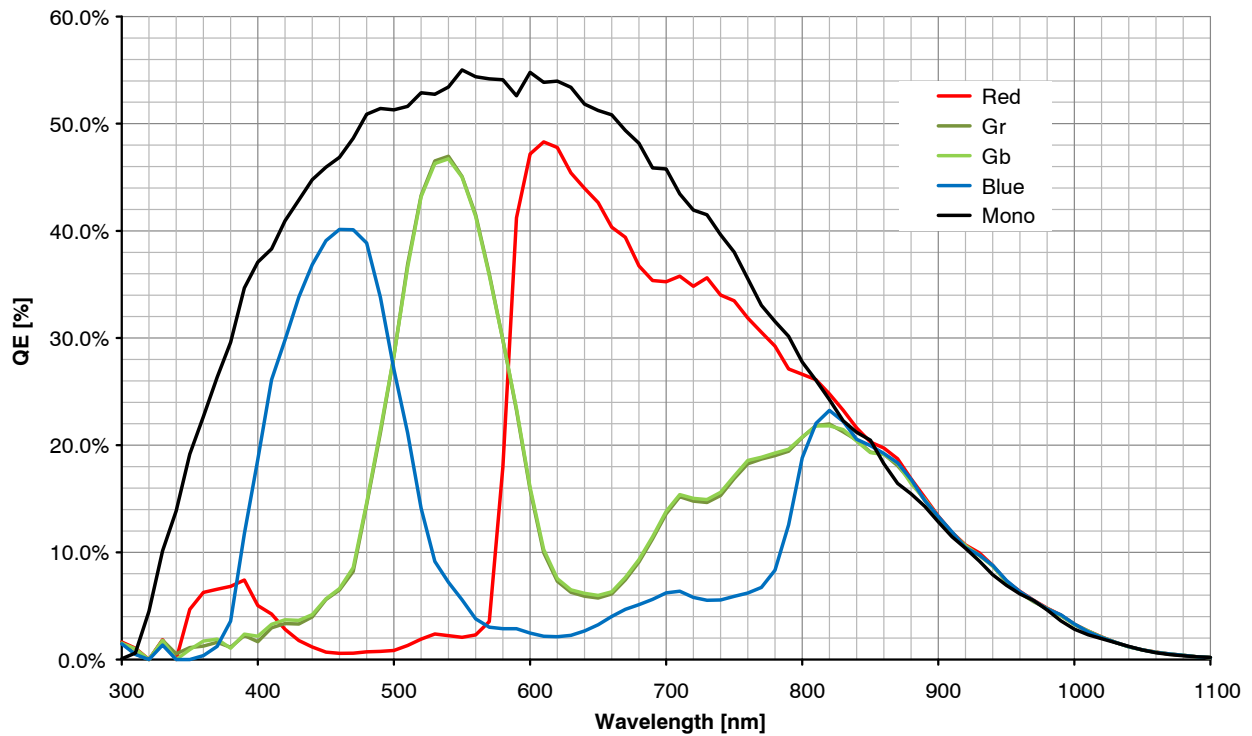


Figure 3. Quantum Efficiency Curve for Mono and Color

NOIP1SN1300A

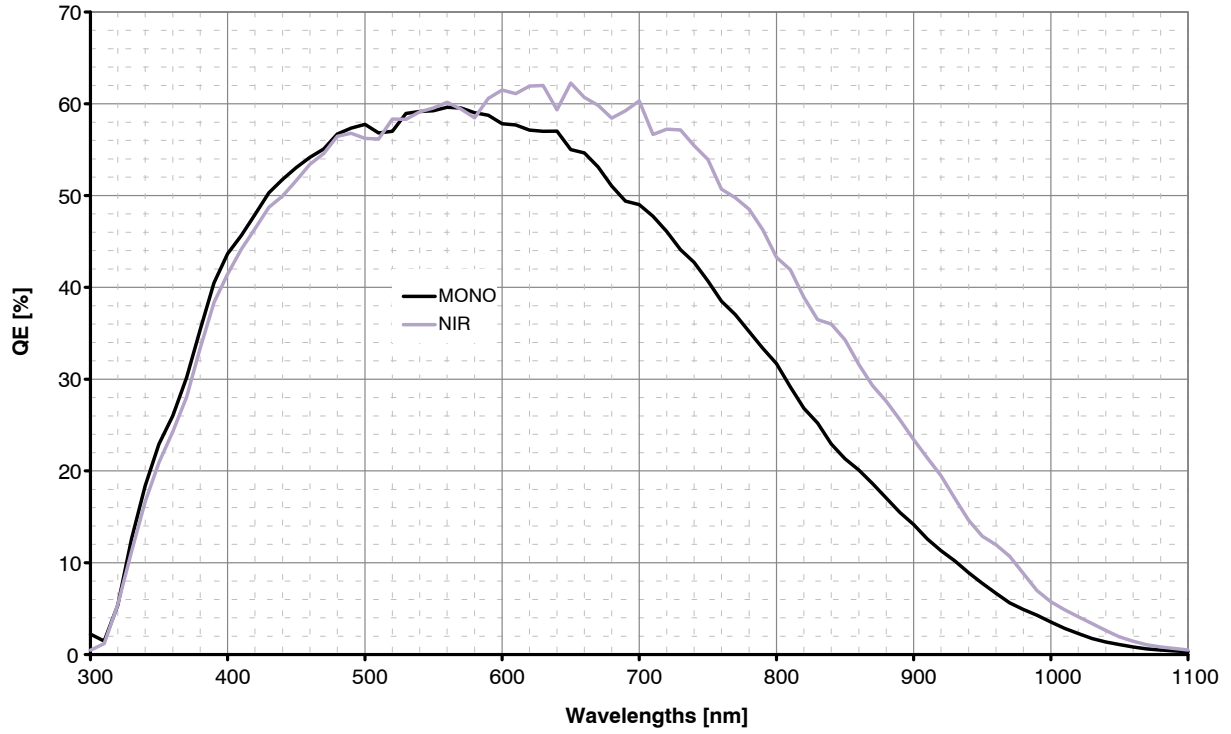


Figure 4. Quantum Efficiency Curve for Standard and NIR Mono

Ray Angle and Microlens Array Information

An array of microlenses is placed over the CMOS pixel array in order to improve the absolute responsivity of the photodiodes. The combined microlens array and pixel array has two important properties:

1. Angular dependency of photoresponse of a pixel

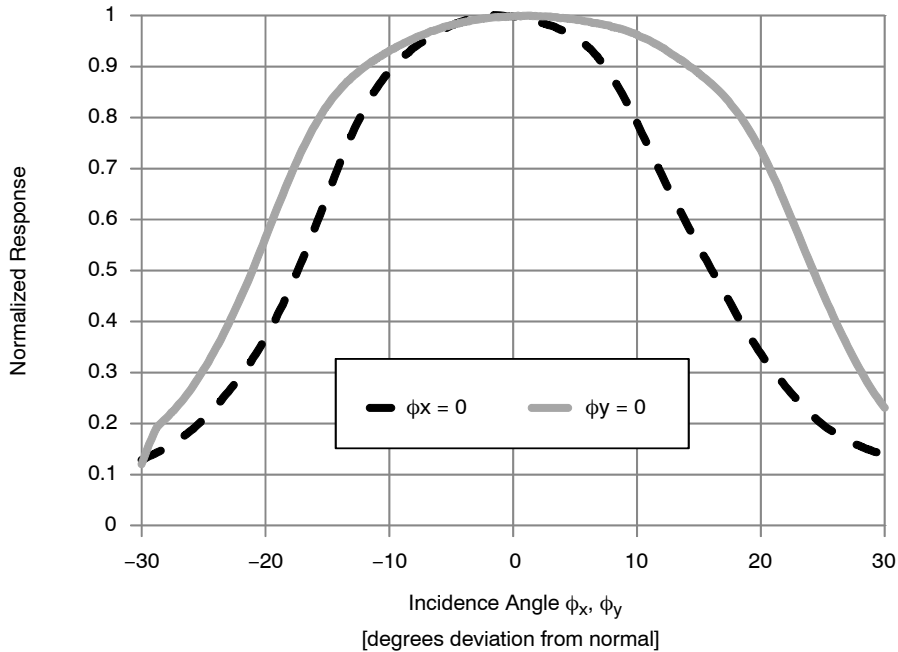
The photoresponse of a pixel with microlens in the center of the array to a fixed optical power with varied incidence angle is as plotted in Figure 5, where definitions of angles ϕ_x and ϕ_y are as described by Figure 6.

2. Microlens shift across array and CRA

The microlens array is fabricated with a slightly smaller pitch than the array of photodiodes. This difference in pitch creates a varying degree of shift of a pixel's microlens with

regards to its photodiode. A shift in microlens position versus photodiode position will cause a tilted angle of peak photoresponse, here denoted Chief Ray Angle (CRA). Microlenses and photodiodes are aligned with 0 shift and CRA in the center of the array, while the shift and CRA increases radially towards its edges, as illustrated by Figure 7.

The purpose of the shifted microlenses is to improve the uniformity of photoresponse when camera lenses with a finite exit pupil distance are used. The CRA varies nearly linearly with distance from the center as illustrated in Figure 8, with a corner CRA of approximately 2.7 degrees. This edge CRA is matching a lens with exit pupil distance of ~ 80 mm.



Note that the photoresponse peaks near normal incidence for center pixels.

Figure 5. Central Pixel Photoresponse to a Fixed Optical Power with Incidence Angle varied along ϕ_x and ϕ_y

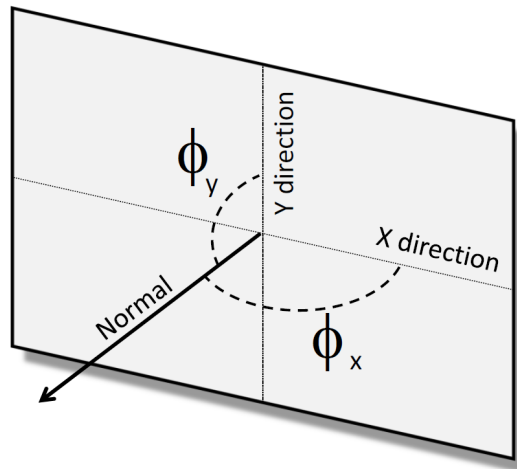
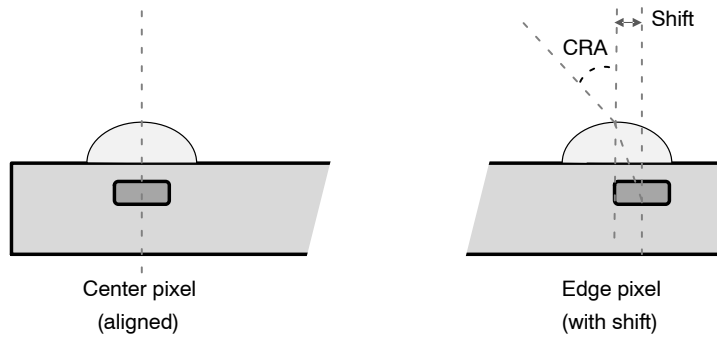


Figure 6. Definition of Angles used in Figure 5.



The center axes of the microlens and the photodiode coincide for the center pixels. For the edge pixels, there is a shift between the axes of the microlens and the photodiode causing a Peak Response Incidence Angle (CRA) that deviates from the normal of the pixel array.

Figure 7. Principles of Microlens Shift

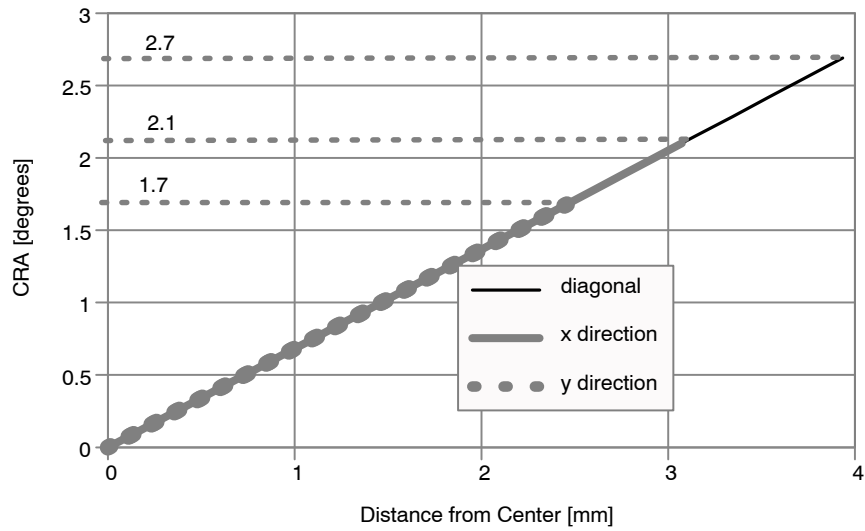
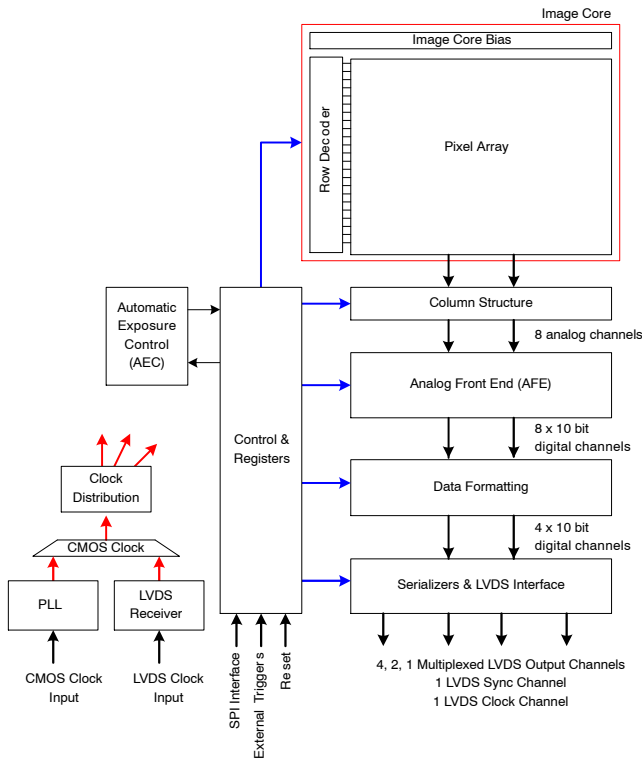


Figure 8. Variation of Peak Responsivity Angle (CRA) as a Function of Distance from the Center of the Array

OVERVIEW

Figures 9 and 10 give an overview of the major functional blocks of the P1–SN/SE/FN, P3–SN/SE/FN and P2–SN/SE sensor respectively.



Note: P3 part only has 2,1 Multiplexed LVDS Output Channels

Figure 9. Block Diagram – P1–SN/SE/FN, P3–SN/SE/FN

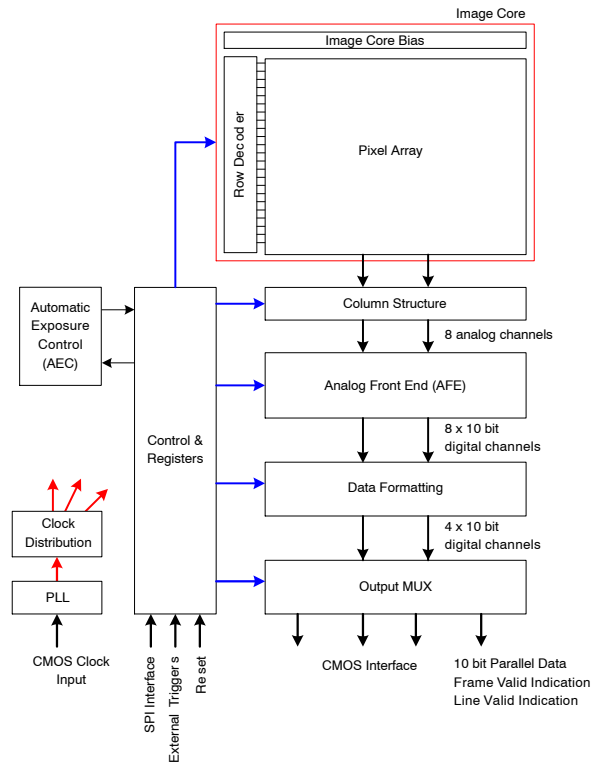


Figure 10. Block Diagram – P2–SN/SE

Image Core

The image core consists of:

- Pixel Array
- Address Decoders and Row Drivers
- Pixel Biasing

The PYTHON 1300 pixel array contains 1280 (H) x 1024 (V) readable pixels with a pixel pitch of 4.8 μm . The PYTHON 300 and PYTHON 500 image arrays contain 672 (H) x 512 (V) and 832 (H) x 632 (V) readable pixels respectively, inclusive of 16 pixel rows and 16 pixel columns at every side to allow for reprocessing or color reconstruction. The sensors use in-pixel CDS architecture, which makes it possible to achieve a low noise read out of the pixel array in global shutter mode with CDS.

The function of the row drivers is to access the image array line by line, or all lines together, to reset or read the pixel data. The row drivers are controlled by the on-chip sequencer and can access the pixel array.

The pixel biasing block guarantees that the data on a pixel is transferred properly to the column multiplexer when the row drivers select a pixel line for readout.

Phase Locked Loop

The PLL accepts a (low speed) clock and generates the required high speed clock. Optionally this PLL can be bypassed. Typical input clock frequency is 72 MHz.

LVDS Clock Receiver

The LVDS clock receiver receives an LVDS clock signal and distributes the required clocks to the sensor.

Typical input clock frequency is 360 MHz in 10-bit mode and 288 MHz in 8-bit mode. The clock input needs to be terminated with a 100 Ω resistor.

Column Multiplexer

All pixels of one image row are stored in the column sample-and-hold (S/H) stages. These stages store both the reset and integrated signal levels.

The data stored in the column S/H stages is read out through 8 parallel differential outputs operating at a frequency of 36 MHz. At this stage, the reset signal and integrated signal values are transferred into an FPN-corrected differential signal. A programmable gain of 1x, 2x, or 4x can be applied to the signal. The column

multiplexer also supports read-1-skip-1 and read-2-skip-2 mode. Enabling this mode increases the frame rate, with a decrease in resolution.

Bias Generator

The bias generator generates all required reference voltages and bias currents used on chip. An external resistor of 47 k Ω , connected between pin IBIAS_MASTER and gnd_33, is required for the bias generator to operate properly.

Analog Front End

The AFE contains 8 channels, each containing a PGA and a 10-bit ADC.

For each of the 8 channels, a pipelined 10-bit ADC is used to convert the analog image data into a digital signal, which is delivered to the data formatting block. A black calibration loop is implemented to ensure that the black level is mapped to match the correct ADC input level.

Data Formatting

The data block receives data from two ADCs and multiplexes this data to one data stream. A cyclic redundancy check (CRC) code is calculated on the passing data.

A frame synchronization data block transmits synchronization codes such as frame start, line start, frame end, and line end indications.

The data block calculates a CRC once per line for every channel. This CRC code can be used for error detection at the receiving end.

Serializer and LVDS Interface (P1-SN/SE/FN, P3-SN/SE/FN only)

The serializer and LVDS interface block receives the formatted (10-bit or 8-bit) data from the data formatting block. This data is serialized and transmitted by the LVDS 288 MHz output driver.

In 10-bit mode, the maximum output data rate is 720 Mbps per channel. In 8-bit mode, the maximum output data rate is 576 Mbps per channel.

In addition to the LVDS data outputs, two extra LVDS outputs are available. One of these outputs carries the output clock, which is skew aligned to the output data channels. The second LVDS output contains frame format synchronization codes to serve system-level image reconstruction.

Output MUX (P2-SN/SE)

The output MUX multiplexes the four data channels to one channel and transmits the data words using a 10-bit parallel CMOS interface.

Frame synchronization information is communicated by means of frame and line valid strobes.

Channel Multiplexer

The P1-SN/SE/FN LVDS channel multiplexer provides a 4:2 and 4:1 feature, in addition to utilizing all 4 output channels.

The P3-SN/SE/FN LVDS channel multiplexer provides a 2:1 feature, in addition to utilizing both the output channels.

Sequencer

The sequencer:

- Controls the image core. Starts and stops integration and control pixel readout.
- Operates the sensor in master or slave mode.
- Applies the window settings. Organizes readouts so that only the configured windows are read.
- Controls the column multiplexer and analog core. Applies gain settings and subsampling modes at the correct time, without corrupting image data.
- Starts up the sensor correctly when leaving standby mode.

Automatic Exposure Control

The AEC block implements a control system to modulate the exposure of an image. Both integration time and gains are controlled by this block to target a predefined illumination level.

OPERATING MODES

Global Shutter Mode

The PYTHON 300, PYTHON 500, and PYTHON 1300 operate in pipelined or triggered global shuttering modes. In this mode, light integration, light integration takes place on all pixels in parallel, although subsequent readout is sequential. Figure 11 shows the integration and readout sequence for the global shutter. All pixels are light sensitive

at the same period of time. The whole pixel core is reset simultaneously and after the integration time all pixel values are sampled together on the storage node inside each pixel. The pixel core is read out line by line after integration. Note that the integration and readout can occur in parallel or sequentially. The integration starts at a certain period, relative to the frame start.

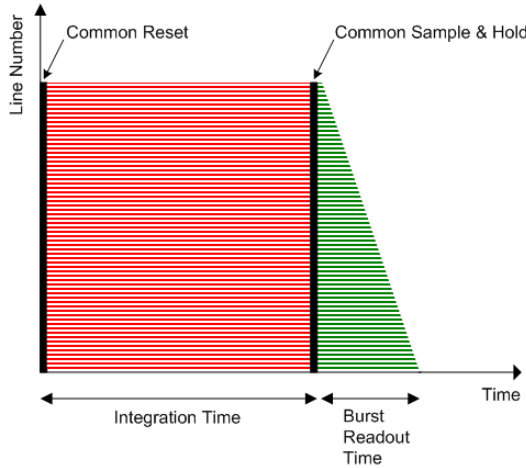


Figure 11. Global Shutter Operation

Pipelined Global Shutter Mode

In pipelined global shutter mode, the integration and readout are done in parallel. Images are continuously read and integration of frame N is ongoing during readout of the previous frame N-1. The readout of every frame starts with a Frame Overhead Time (FOT), during which the analog value on the pixel diode is transferred to the pixel memory element. After the FOT, the sensor is read out line per line and the readout of each line is preceded by the Row Overhead Time (ROT). Figure 12 shows the exposure and readout time line in pipelined global shutter mode.

Master Mode

The PYTHON 300, PYTHON 500, and PYTHON 1300 operate in pipelined or triggered global shuttering modes. In this mode, light, the integration time is set through the register interface and the sensor integrates and reads out the images autonomously. The sensor acquires images without any user interaction.

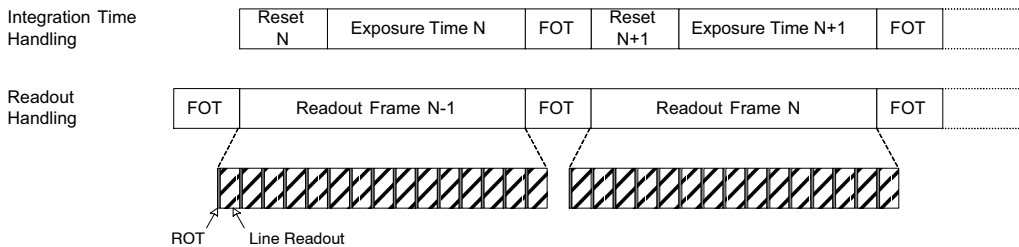


Figure 12. Integration and Readout for Pipelined Shutter

Slave Mode

The slave mode adds more manual control to the sensor. The integration time registers are ignored in this mode and the integration time is instead controlled by an external pin. As soon as the control pin is asserted, the pixel array goes out

of reset and integration starts. The integration continues until the user or system deasserts the external pin. Upon a falling edge of the trigger input, the image is sampled and the readout begins. Figure 13 shows the relation between the external trigger signal and the exposure/readout timing.

NOIP1SN1300A

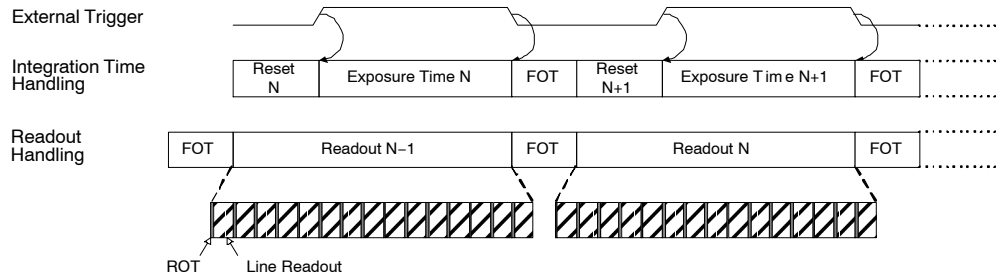


Figure 13. Pipelined Shutter Operated in Slave Mode

Triggered Global Shutter Mode

In this mode, manual intervention is required to control both the integration time and the start of readout. After the integration time, indicated by a user controlled pin, the image core is read out. After this sequence, the sensor goes to an idle mode until a new user action is detected.

The three main differences with the pipelined global shutter mode are:

- Upon user action, one single image is read.
- Normally, integration and readout are done sequentially. However, the user can control the sensor in such a way that two consecutive batches are overlapping, that is, having concurrent integration and readout.
- Integration and readout is under user control through an external pin.

This mode requires manual intervention for every frame. The pixel array is kept in reset state until requested.

The triggered global mode can also be controlled in a master or in a slave mode.

Master Mode

In this mode, a rising edge on the synchronization pin is used to trigger the start of integration and readout. The integration time is defined by a register setting. The sensor autonomously integrates during this predefined time, after which the FOT starts and the image array is readout sequentially. A falling edge on the synchronization pin does not have any impact on the readout or integration and subsequent frames are started again for each rising edge. Figure 14 shows the relation between the external trigger signal and the exposure/readout timing.

If a rising edge is applied on the external trigger before the exposure time and FOT of the previous frame is complete, it is ignored by the sensor.



Figure 14. Triggered Shutter Operated in Master Mode

Slave Mode

Integration time control is identical to the pipelined shutter slave mode. An external synchronization pin controls the start of integration. When it is de-asserted, the

FOT starts. The analog value on the pixel diode is transferred to the pixel memory element and the image readout can start. A request for a new frame is started when the synchronization pin is asserted again.

Normal and Zero Row Overhead Time (ROT) Modes

In pipelined global shutter mode, the integration and readout are done in parallel. Images are continuously read out and integration of frame N is ongoing during readout of the previous frame N-1. The readout of every frame starts with a Frame Overhead Time (FOT), during which the analog value of the pixel diode is transferred to the pixel memory element. After the FOT, the sensor is read out line by line and the readout of each line is preceded by a Row Overhead Time (ROT) as shown in Figure 15.

In Reduced/Zero ROT operation mode (refer to Figure 16), the row blanking and kernel readout occur in parallel. This mode is called reduced ROT as a part of the ROT is done while the image row is readout. The actual ROT

can thus be longer, however the perceived ROT will be shorter ('overhead' spent per line is reduced). The integration time and gain parameters can be reconfigured without any visible image artifact in Normal ROT mode. Column-level offset corrections are required in Zero ROT mode. Refer to Column-Level Image Correction application note in the PYTHON Developer's Guide AND9362/D available at the [Image Sensor Portal](#).

This operation mode can be used for two reasons:

- Reduced total line time.
- Lower power due of reduced clock-rate.

NOTE: Zero ROT is not supported on P3-SN/SE/FN devices.

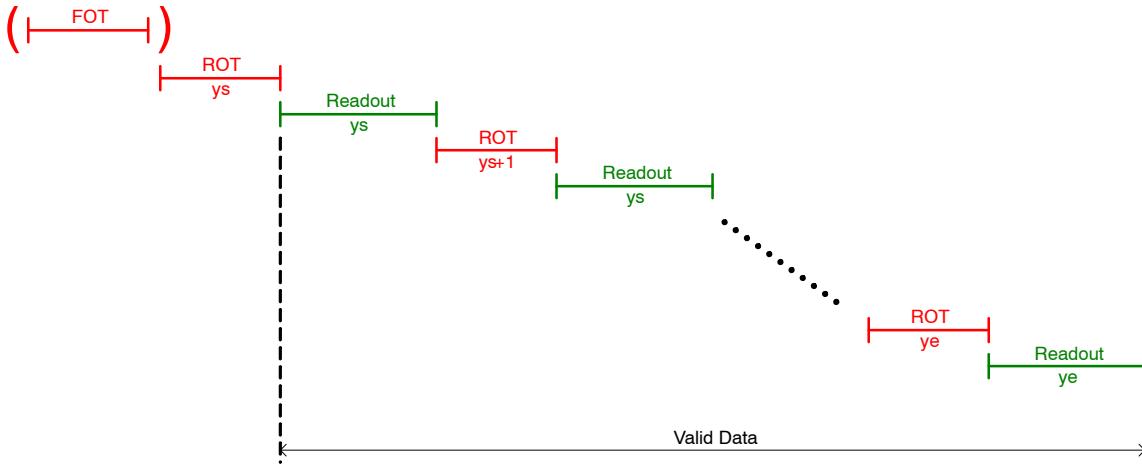


Figure 15. Integration and Readout Sequence of the Sensor Operating in Pipelined Global Shutter Mode with Normal ROT Readout.

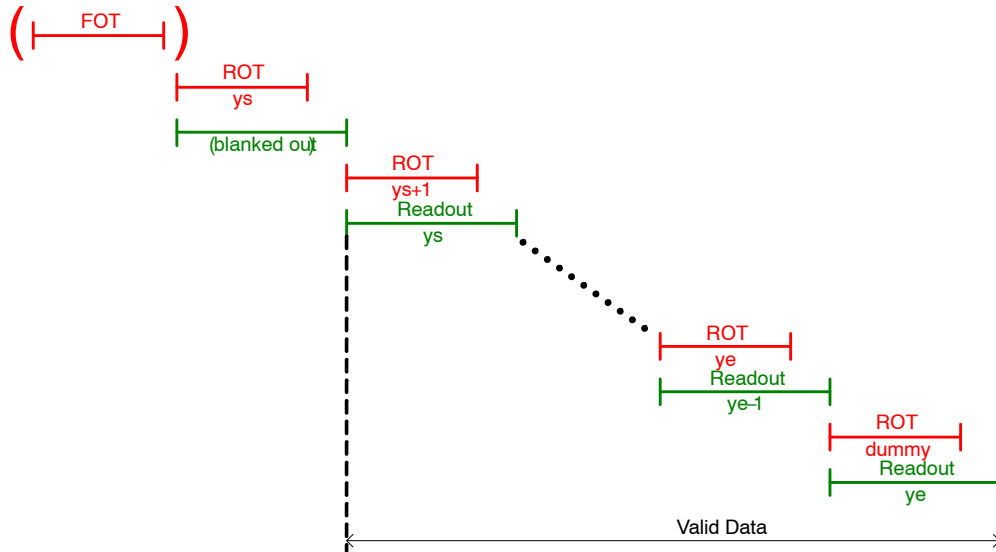


Figure 16. Integration and Readout Sequence of the Sensor Operating in Pipelined Global Shutter Mode with Zero ROT Readout.

NOIP1SN1300A

SENSOR OPERATION

Flowchart

Figure 17 shows the sensor operation flowchart. The sensor has six different 'states'. Every state is indicated with the oval circle. These states are Power off, Low power standby, Standby (1), Standby (2), Idle, Running.

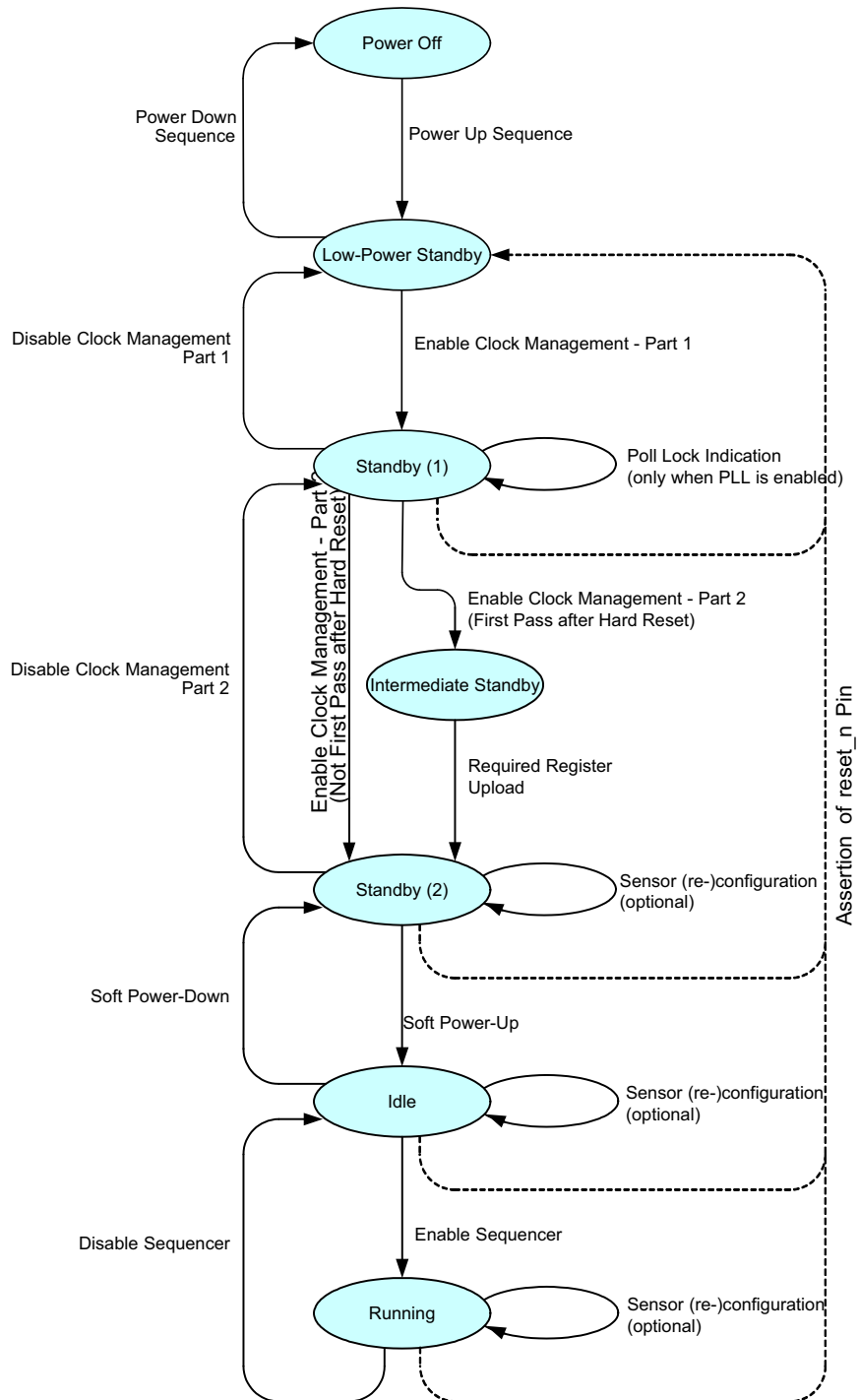


Figure 17. Sensor Operation Flowchart

Sensor States

Low Power Standby

In low power standby state, all power supplies are on, but internally every block is disabled. No internal clock is running (PLL / LVDS clock receiver is disabled).

All register settings are unchanged.

Only a subset of the SPI registers is active for read/write in order to be able to configure clock settings and leave the low power standby state. The only SPI registers that should be touched are the ones required for the ‘Enable Clock Management’ action described in Enable Clock Management – Part 1 on page 17

Standby (1)

In standby state, the PLL/LVDS clock receiver is running, but the derived logic clock signal is not enabled.

Standby (2)

In standby state, the derived logic clock signal is running. All SPI registers are active, meaning that all SPI registers can be accessed for read or write operations. All other blocks are disabled.

Idle

In the idle state, all internal blocks are enabled, except the sequencer block. The sensor is ready to start grabbing images as soon as the sequencer block is enabled.

Running

In running state, the sensor is enabled and grabbing images. The sensor can be operated in global master/slave modes.

User Actions: Power Up Functional Mode Sequences

Power Up Sequence

Figure 18 shows the power up sequence of the sensor. The figure indicates that the first supply to ramp-up is the vdd_18 supply, followed by vdd_33 and vdd_pix respectively. It is important to comply with the described sequence. Any other supply ramping sequence may lead to high current peaks and, as consequence, a failure of the sensor power up.

The clock input should start running when all supplies are stabilized. When the clock frequency is stable, the reset_n signal can be de-asserted. After a wait period of 10 μ s, the power up sequence is finished and the first SPI upload can be initiated.

NOTE: The ‘clock input’ can be the CMOS PLL clock input (clk_pll), or the LVDS clock input (lvds_clock_inn/p) in case the PLL is bypassed.

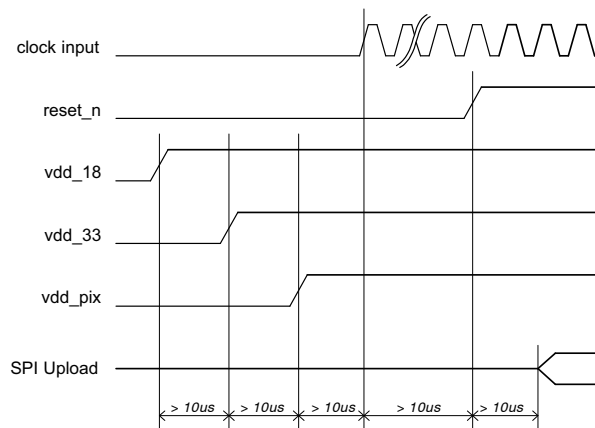


Figure 18. Power Up Sequence

Enable Clock Management

The ‘Enable Clock Management’ action configures the clock management blocks and activates the clock generation and distribution circuits in a pre-defined way. First, a set of clock settings must be uploaded through the SPI register. These settings are dependent on the desired operation mode of the sensor.

The SPI uploads that need to be executed to configure the sensor for P1-SN/SE/FN, P3-SN/SE/FN 10-bit serial

mode, with the PLL, and all available LVDS channels, as well as all other supported modes (P1-SN/SE/FN 8-bit serial, P2-SN/SE 10-bit parallel, ...) are available to customers under NDA at the [onsemi Image Sensor Portal](#).

In the serial modes, if the PLL is not used, the LVDS clock input must be running.

In the P2-SN/SE 10-bit parallel mode, the PLL is bypassed. The clk_pll clock is used as sensor clock.

Use of Phase Locked Loop

If PLL is used, the PLL is started after the upload of the SPI registers. The PLL requires (dependent on the settings) some time to generate a stable output clock. A lock detect circuit detects if the clock is stable. When complete, this is flagged in a status register.

NOTE: The lock detect status must not be checked for the P2–SN/SE sensor.

Required Register Upload

In this phase, the ‘reserved’ register settings are uploaded through the SPI register. Different settings are not allowed and may cause the sensor to malfunction.

Soft Power Up

During the soft power up action, the internal blocks are enabled and prepared to start processing the image data stream. This action exists of a set of SPI uploads.

Enable Sequencer

During the ‘Enable Sequencer’ action, the frame grabbing sequencer is enabled. The sensor starts grabbing images in the configured operation mode. Refer to Sensor States on page 17.

The ‘Enable Sequencer’ action consists of enabling bit 192[0].

User Actions: Functional Modes to Power Down Sequences

Disable Sequencer

During the ‘Disable Sequencer’ action, the frame grabbing sequencer is stopped. The sensor stops grabbing images and returns to the idle mode.

The ‘Disable Sequencer’ action consists of disabling bit 192[0].

Soft Power Down

During the soft power down action, the internal blocks are disabled and the sensor is put in standby state to reduce the current dissipation. This action exists of a set of SPI uploads.

Disable Clock Management

The ‘Disable Clock Management’ action stops the internal clocking to further decrease the power dissipation.

Power Down Sequence

Figure 19 illustrates the timing diagram of the preferred power down sequence. It is important that the sensor is in reset before the clock input stops running. Otherwise, the internal PLL becomes unstable and the sensor gets into an unknown state. This can cause high peak currents.

The same applies for the ramp down of the power supplies. The preferred order to ramp down the supplies is first vdd_pix, second vdd_33, and finally vdd_18. Any other sequence can cause high peak currents.

NOTE: The ‘clock input’ can be the CMOS PLL clock input (clk_pll), or the LVDS clock input (lvds_clock_inn/p) in case the PLL is bypassed.

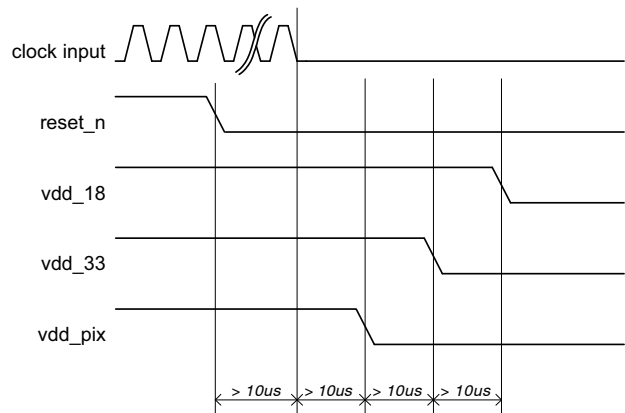


Figure 19. Power Down Sequence

Sensor Reconfiguration

During the standby, idle, or running state several sensor parameters can be reconfigured.

- **Frame Rate and Exposure Time:** Frame rate and exposure time changes can occur during standby, idle, and running states by modifying registers 199 to 203. Refer to page 30–32 for more information.
- **Signal Path Gain:** Signal path gain changes can occur during standby, idle, and running states by modifying registers 204/205. Refer to page 37 for more information.
- **Windowing:** Changes with respect to windowing can occur during standby, idle, and running states. Refer to Multiple Window Readout on page 26 for more information.
- **Subsampling:** Changes of the subsampling mode can occur during standby, idle, and running states by modifying register 192. Refer to Subsampling on page 27 for more information.
- **Shutter Mode:** The shutter mode can only be changed during standby or idle mode by modifying register 192. Reconfiguring the shutter mode during running state is not supported.

Sensor Configuration

This device contains multiple configuration registers. Some of these registers can only be configured while the sensor is not acquiring images (while register 192[0] = 0), while others can be configured while the sensor is acquiring images. For the latter category of registers, it is possible to distinguish the register set that can cause corrupted images (limited number of images containing visible artifacts) from the set of registers that are not causing corrupted images.

These three categories are described here.

Static Readout Parameters

Some registers are only modified when the sensor is not acquiring images. Reconfiguration of these registers while images are acquired can cause corrupted frames or even interrupt the image acquisition. Therefore, it is recommended to modify these static configurations while the sequencer is disabled (register 192[0] = 0). The registers shown in Table 15 should not be reconfigured during image acquisition. A specific configuration sequence applies for these registers. Refer to the operation flow and startup description.

Table 6. STATIC READOUT PARAMETERS

| Group | Addresses | Description |
|--------------------------|-----------|---|
| Clock generator | 32 | Configure according to recommendation |
| Image core | 40 | Configure according to recommendation |
| AFE | 48 | Configure according to recommendation |
| Bias | 64–71 | Configure according to recommendation |
| LVDS | 112 | Configure according to recommendation |
| Sequencer mode selection | 192 [6:1] | Operation modes are: <ul style="list-style-type: none"> • triggered_mode • slave_mode |
| All reserved registers | | Keep reserved registers to their default state, unless otherwise described in the recommendation |

Dynamic Configuration Potentially Causing Image Artifacts

The category of registers as shown in Table 16 consists of configurations that do not interrupt the image acquisition process, but may lead to one or more corrupted images during and after the reconfiguration. A corrupted image is an

image containing visible artifacts. A typical example of a corrupted image is an image which is not uniformly exposed.

The effect is transient in nature and the new configuration is applied after the transient effect.

Table 7. DYNAMIC CONFIGURATION POTENTIALLY CAUSING IMAGE ARTIFACTS

| Group | Addresses | Description |
|-------------------------------|----------------------|---|
| Black level configuration | 128–129 197[12:8] | Reconfiguration of these registers may have an impact on the black-level calibration algorithm. The effect is a transient number of images with incorrect black level compensation. |
| Sync codes | 129[13] 116–126 | Incorrect sync codes may be generated during the frame in which these registers are modified. |
| Datablock test configurations | 144, 146–150 | Modification of these registers may generate incorrect test patterns during a transient frame. |

Dynamic Readout Parameters

It is possible to reconfigure the sensor while it is acquiring images. Frame related parameters are internally resynchronized to frame boundaries, such that the modified parameter does not affect a frame that has already started. However, there can be restrictions to some registers as

shown in Table 8. Some reconfiguration may lead to one frame being blanked. This happens when the modification requires more than one frame to settle. The image is blanked out and training patterns are transmitted on the data and sync channels.

Table 8. DYNAMIC READOUT PARAMETERS

| Group | Addresses | Description |
|--------------------------|------------------|---|
| Subsampling/binning | 192[7] 192[8] | Subsampling or binning is synchronized to a new frame start. |
| ROI configuration | 195 256–303 | A ROI switch is only detected when a new window is selected as the active window (reconfiguration of register 195). reconfiguration of the ROI dimension of the active window does not lead to a frame blank and can cause a corrupted image. |
| Exposure reconfiguration | 199–203 | Exposure reconfiguration does not cause artifact. However, a latency of one frame is observed unless reg_seq_exposure_sync_mode is set to '1' in triggered global mode (master). |
| Gain reconfiguration | 204 | Gains are synchronized at the start of a new frame. Optionally, one frame latency can be incorporated to align the gain updates to the exposure updates (refer to register 204[13] – gain_lat_comp). |

Freezing Active Configurations

Though the readout parameters are synchronized to frame boundaries, an update of multiple registers can still lead to a transient effect in the subsequent images, as some configurations require multiple register uploads. For example, to reconfigure the exposure time in master global mode, both the fr_length and exposure registers need to be updated. Internally, the sensor synchronizes these configurations to frame boundaries, but it is still possible that the reconfiguration of multiple registers spans over two or even more frames. To avoid inconsistent combinations, freeze the active settings while altering the SPI registers by disabling synchronization for the corresponding functionality before reconfiguration. When all registers are uploaded, re-enable the synchronization. The sensor’s sequencer then updates its active set of registers and uses

them for the coming frames. The freezing of the active set of registers can be programmed in the sync_configuration registers, which can be found at the SPI address 206.

Figure 20 shows a reconfiguration that does not use the sync_configuration option. As depicted, new SPI configurations are synchronized to frame boundaries.

Figure 21 shows the usage of the sync_configuration settings. Before uploading a set of registers, the corresponding sync_configuration is de-asserted. After the upload is completed, the sync_configuration is asserted again and the sensor resynchronizes its set of registers to the coming frame boundaries. As seen in the figure, this ensures that the uploads performed at the end of frame N+2 and the start of frame N+3 become active in the same frame (frame N+4).

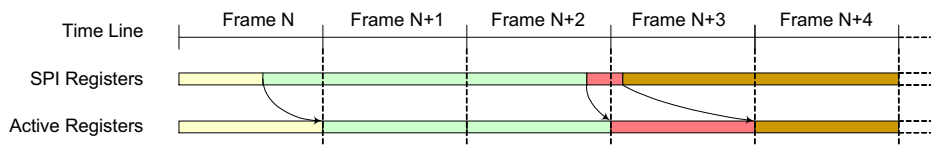


Figure 20. Frame Synchronization of Configurations (no freezing)

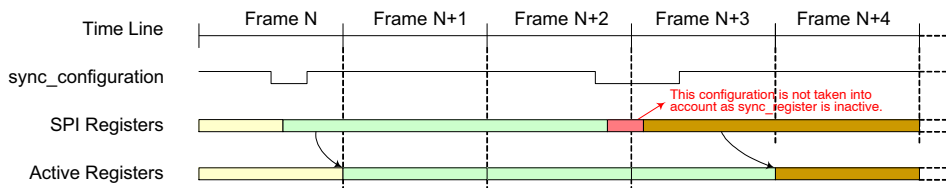


Figure 21. reconfiguration Using Sync_configuration

NOTE: SPI updates are not taken into account while sync_configuration is inactive. The active configuration is frozen for the sensor. Table 9 lists the several sync_configuration possibilities along with the respective registers being frozen.

Table 9. ALTERNATE SYNC CONFIGURATIONS

| Group | Affected Registers | Description |
|------------------|--|---|
| sync_black_lines | black_lines | Update of black line configuration is not synchronized at start of frame when '0'. The sensor continues with its previous configurations. |
| sync_exposure | mult_timer fr_length exposure | Update of exposure configurations is not synchronized at start of frame when '0'. The sensor continues with its previous configurations. |
| sync_gain | mux_gainsw afe_gain | Update of gain configurations is not synchronized at start of frame when '0'. The sensor continues with its previous configurations. |
| sync_roi | roi_active0[7:0] subsampling binning | Update of active ROI configurations is not synchronized at start of frame when '0'. The sensor continues with its previous configurations. Note: The window configurations themselves are not frozen. reconfiguration of active windows is not gated by this setting. |

Window Configuration

Global Shutter Mode

Up to 8 windows can be defined in global shutter mode (pipelined or triggered). The windows are defined by registers 256 to 303. Each window can be activated or deactivated separately using register 195. It is possible to reconfigure the inactive windows while the sensor is acquiring images.

Switching between predefined windows is achieved by activation of the respective windows. This way a minimum number of registers need to be uploaded when it is necessary to switch between two or more sets of windows. As an example of this, scanning the scene at higher frame rates using multiple windows and switching to full frame capture when the object is tracked. Switching between the two modes only requires an upload of one register.

Black Calibration

The sensor automatically calibrates the black level for each frame. Therefore, the device generates a configurable number of electrical black lines at the start of each frame. The desired black level in the resulting output interface can be configured and is not necessarily targeted to '0'. Configuring the target to a higher level yields some information on the left side of the black level distribution, while the other end of the distribution tail is clipped to '0' when setting the black level target to '0'.

The black level is calibrated for the 8 columns contained in one kernel. This implies 8 black level offsets are generated and applied to the corresponding columns. Configurable parameters for the black-level algorithm are listed in Table 19.

Table 10. CONFIGURABLE PARAMETERS FOR BLACK LEVEL ALGORITHM

| Address | Register Name | Description |
|------------------------------|----------------------|---|
| Black Line Generation | | |
| 197[7:0] | black_lines | This register configures the number of black lines that are generated at the start of a frame. At least one black line must be generated. The maximum number is 255. Note: When the automatic black-level calibration algorithm is enabled, make sure that this register is configured properly to produce sufficient black pixels for the black-level filtering. The number of black pixels generated per line is dependent on the operation mode and window configurations: Each black line contains 162 kernels. |
| 197[12:8] | gate_first_line | A number of black lines are blanked out when a value different from 0 is configured. These blanked out lines are not used for black calibration. It is recommended to enable this functionality, because the first line can have a different behavior caused by boundary effects. When enabling, the number of black lines must be set to at least two in order to have valid black samples for the calibration algorithm. |
| Black Value Filtering | | |
| 129[0] | auto_blackcal_enable | Internal black-level calibration functionality is enabled when set to '1'. Required black level offset compensation is calculated on the black samples and applied to all image pixels. When set to '0', the automatic black-level calibration functionality is disabled. It is possible to apply an offset compensation to the image pixels, which is defined by the registers 129[10:1]. Note: Black sample pixels are not compensated; the raw data is sent out to provide external statistics and, optionally, calibrations. |
| 129[9:1] | blackcal_offset | Black calibration offset that is added or subtracted to each regular pixel value when auto_blackcal_enable is set to '0'. The sign of the offset is determined by register 129[10] (blackcal_offset_dec). Note: All channels use the same offset compensation when automatic black calibration is disabled. |
| 129[10] | blackcal_offset_dec | Sign of blackcal_offset. If set to '0', the black calibration offset is added to each pixel. If set to '1', the black calibration_offset is subtracted from each pixel. This register is not used when auto_blackcal_enable is set to '1'. |

NOIP1SN1300A

Table 10. CONFIGURABLE PARAMETERS FOR BLACK LEVEL ALGORITHM

| Address | Register Name | Description |
|---|-----------------|---|
| Black Line Generation | | |
| 128[10:8] | black_samples | <p>The black samples are low-pass filtered before being used for black level calculation. The more samples are taken into account, the more accurate the calibration, but more samples require more black lines, which in turn affects the frame rate.</p> <p>The effective number of samples taken into account for filtering is $2^{\text{black_samples}}$.</p> <p>Note: An error is reported by the device if more samples than available are requested (refer to register 136).</p> |
| Black Level Filtering Monitoring | | |
| 136 | blackcal_error0 | <p>An error is reported by the device if there are requests for more samples than are available (each bit corresponding to one data path). The black level is not compensated correctly if one of the channels indicates an error. There are three possible methods to overcome this situation and to perform a correct offset compensation:</p> <ul style="list-style-type: none"> • Increase the number of black lines such that enough samples are generated at the cost of increasing frame time (refer to register 197). • Relax the black calibration filtering at the cost of less accurate black level determination (refer to register 128). • Disable automatic black level calibration and provide the offset via SPI register upload. Note that the black level can drift in function of the temperature. It is thus recommended to perform the offset calibration periodically to avoid this drift. |

NOTE: Device will meet the specifications after thermal equilibrium has been established when mounted in a test socket or printed circuit board with maintained transverse airflow greater than 500 lpm.

Serial Peripheral Interface

The sensor configuration registers are accessed through an SPI. The SPI consists of four wires:

- sck: Serial Clock
- ss_n: Active Low Slave Select
- mosi: Master Out, Slave In, or Serial Data In
- miso: Master In, Slave Out, or Serial Data Out

The SPI is synchronous to the clock provided by the master (sck) and asynchronous to the sensor’s system clock. When the master wants to write or read a sensor’s register, it selects the chip by pulling down the Slave Select line (ss_n). When selected, data is sent serially and synchronous to the SPI clock (sck).

Figure 22 shows the communication protocol for read and write accesses of the SPI registers. The PYTHON 300, PYTHON 500, and PYTHON 1300 image sensors use 9-bit addresses and 16-bit data words.

Data driven by the system is colored blue in Figure 16, while data driven by the sensor is colored yellow. The data in grey indicates high-Z periods on the miso interface. Red markers indicate sampling points for the sensor (mosi sampling); green markers indicate sampling points for the system (miso sampling during read operations).

The access sequence is:

3. Select the sensor for read or write by pulling down the ss_n line.
4. One SPI clock cycle after selecting the sensor, the 9-bit data is transferred, most significant bit first.

The sck clock is passed through to the sensor as indicated in Figure 22. The sensor samples this data on a rising edge of the sck clock (mosi needs to be driven by the system on the falling edge of the sck clock).

5. The tenth bit sent by the master indicates the type of transfer: high for a write command, low for a read command.
6. Data transmission:
 - For write commands, the master continues sending the 16-bit data, most significant bit first.
 - For read commands, the sensor returns the requested address on the miso pin, most significant bit first. The miso pin must be sampled by the system on the falling edge of sck (assuming nominal system clock frequency and maximum 10 MHz SPI frequency).
7. When data transmission is complete, the system deselects the sensor one clock period after the last bit transmission by pulling ss_n high.

Note that the maximum frequency for the SPI interface scales with the input clock frequency, bit depth and LVDS output multiplexing as described in Table 5.

Consecutive SPI commands can be issued by leaving at least two SPI clock periods between two register uploads. Deselect the chip between the SPI uploads by pulling the ss_n pin high.

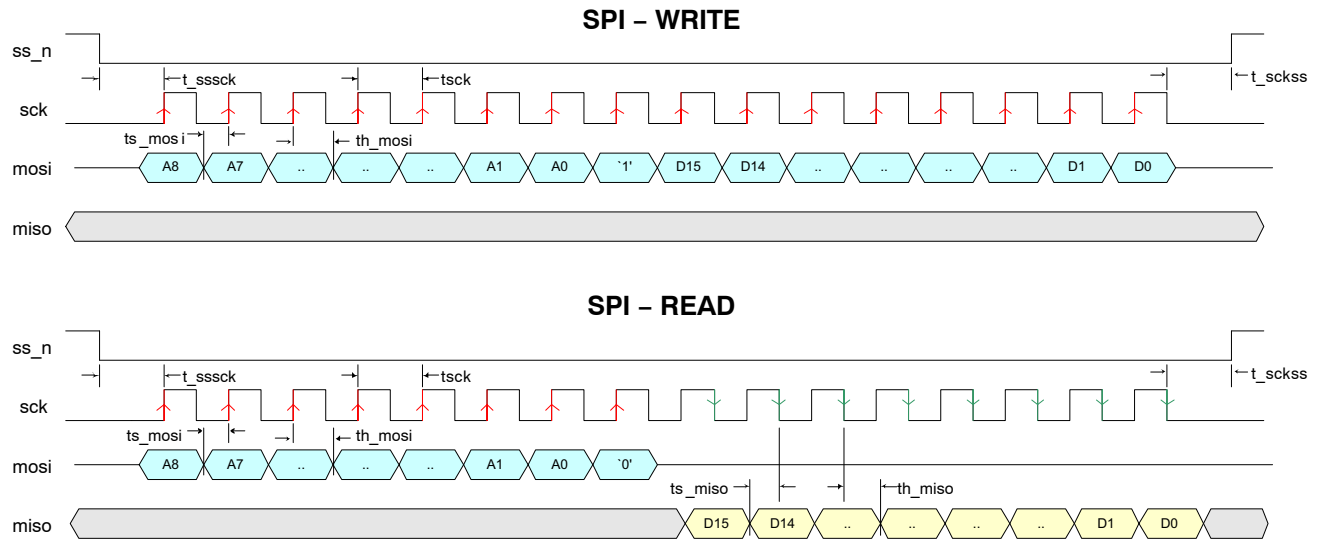


Figure 22. SPI Read and Write Timing Diagram

Table 11. SPI TIMING REQUIREMENTS

| Group | Addresses | Description | Units |
|---------|---|-------------|-------|
| tsck | sck clock period | 100 (*) | ns |
| tssck | ss_n low to sck rising edge | tsck | ns |
| tsckss | sck falling edge to ss_n high | tsck | ns |
| ts_mosi | Required setup time for mosi | 20 | ns |
| th_mosi | Required hold time for mosi | 20 | ns |
| ts_miso | Setup time for miso | tsck/2-10 | ns |
| th_miso | Hold time for miso | tsck/2-20 | ns |
| tspi | Minimal time between two consecutive SPI accesses (not shown in figure) | 2 x tsck | ns |

*Value indicated is for nominal operation. The maximum SPI clock frequency depends on the sensor configuration (operation mode, input clock). tsck is defined as $1/f_{SPI}$. See text for more information on SPI clock frequency restrictions.

IMAGE SENSOR TIMING AND READOUT

The following sections describe the configurations for single slope reset mechanism. Dual and triple slope handling during global shutter operation is similar to the single slope operation. Extra integration time registers are available.

Global Shutter Mode

Pipelined Global Shutter (Master)

The integration time is controlled by the registers `fr_length[15:0]` and `exposure[15:0]`. The `mult_timer` configuration defines the granularity of the registers `reset_length` and `exposure`. It is read as number of system clock cycles (14.706 ns nominal at 68 MHz) for the P1-SN/SE/FN, P3-SN/SE/FN version and 18 MHz cycles (55.556 ns nominal) for the P2-SN/SE version.

The exposure control for (Pipelined) Global Master mode is depicted in Figure 23.

The pixel values are transferred to the storage node during FOT, after which all photo diodes are reset. The reset state remains active for a certain time, defined by the `reset_length` and `mult_timer` registers, as shown in the figure. Note that meanwhile the image array is read out line by line. After this

reset period, the global photodiode reset condition is abandoned. This indicates the start of the integration or exposure time. The length of the exposure time is defined by the registers `exposure` and `mult_timer`.

NOTE: The start of the exposure time is synchronized to the start of a new line (during ROT) if the exposure period starts during a frame readout. As a consequence, the effective time during which the image core is in a reset state is extended to the start of a new line.

- Make sure that the sum of the reset time and exposure time exceeds the time required to readout all lines. If this is not the case, the exposure time is extended until all (active) lines are read out.
- Alternatively, it is possible to specify the frame time and exposure time. The sensor automatically calculates the required reset time. This mode is enabled by the `fr_mode` register. The frame time is specified in the register `fr_length`.

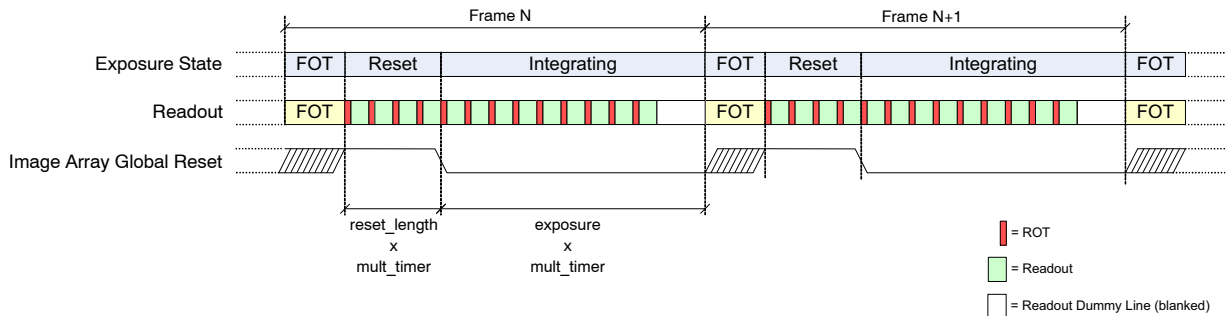


Figure 23. Integration Control for (Pipelined) Global Shutter Mode (Master)

NOIP1SN1300A

Triggered Global Shutter (Master)

In master triggered global mode, the start of integration time is controlled by a rising edge on the trigger0 pin. The exposure or integration time is defined by the registers

exposure and mult_timer, as in the master pipelined global mode. The fr_length configuration is not used. This operation is graphically shown in Figure 24.

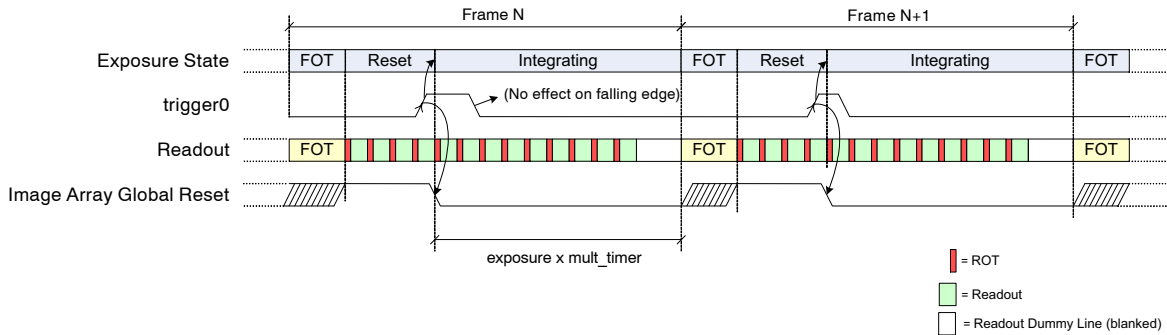


Figure 24. Exposure Time Control in Triggered Shutter Mode (Master)

Notes:

- The falling edge on the trigger pin does not have any impact. Note however the trigger must be asserted for at least 100 ns.
- The start of the exposure time is synchronized to the start of a new line (during ROT) if the exposure period starts during a frame readout. As a consequence, the effective time during which the image core is in a reset state is extended to the start of a new line.
- If the exposure timer expires before the end of readout, the exposure time is extended until the end of the last active line.
- The trigger pin needs to be kept low during the FOT. The monitor pins can be used as a feedback to the FPGA/controller (eg. use monitor0, indicating the very first line when monitor_select = 0x5 – a new trigger can be initiated after a rising edge on monitor0).

the pixel storage node and readout of the image array. In other words, the high time of the trigger pin indicates the integration time, the period of the trigger pin indicates the frame time.

The use of the trigger during slave mode is shown in Figure 25.

Notes:

- The registers exposure, fr_length, and mult_timer are not used in this mode.
- The start of exposure time is synchronized to the start of a new line (during ROT) if the exposure period starts during a frame readout. As a consequence, the effective time during which the image core is in a reset state is extended to the start of a new line.
- If the trigger is de-asserted before the end of readout, the exposure time is extended until the end of the last active line.
- The trigger pin needs to be kept low during the FOT. The monitor pins can be used as a feedback to the FPGA/controller (eg. use monitor0, indicating the very first line when monitor_select = 0x5 – a new trigger can be initiated after a rising edge on monitor0).

Triggered Global Shutter (Slave)

Exposure or integration time is fully controlled by means of the trigger pin in slave mode. The registers fr_length, exposure and mult_timer are ignored by the sensor.

A rising edge on the trigger pin indicates the start of the exposure time, while a falling edge initiates the transfer to

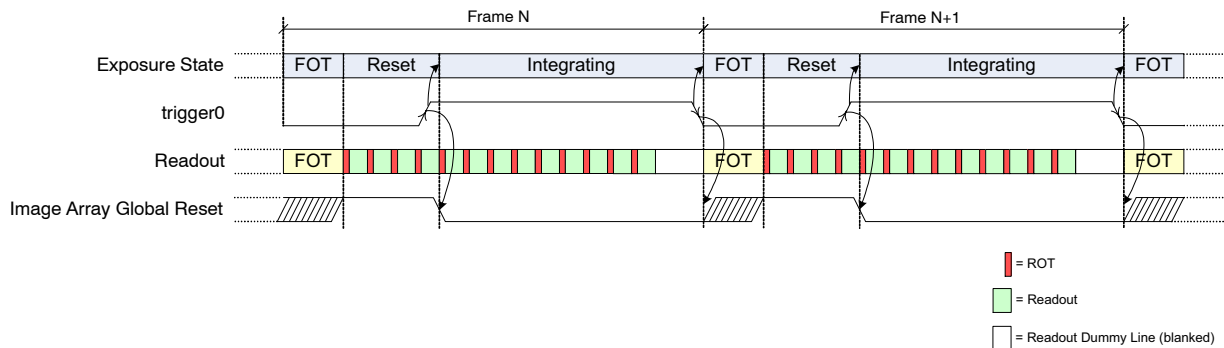


Figure 25. Exposure Time Control in Global-Slave Mode

ADDITIONAL FEATURES

Multiple Window Readout

The PYTHON 300, PYTHON 500, and PYTHON 1300 image sensors support multiple window readout, which means that only the user-selected Regions Of Interest (ROI) are read out. This allows limiting data output for every frame, which in turn allows increasing the frame rate. In global shutter mode, up to eight ROIs can be configured.

Window Configuration

Figure 26 shows the four parameters defining a region of interest (ROI).

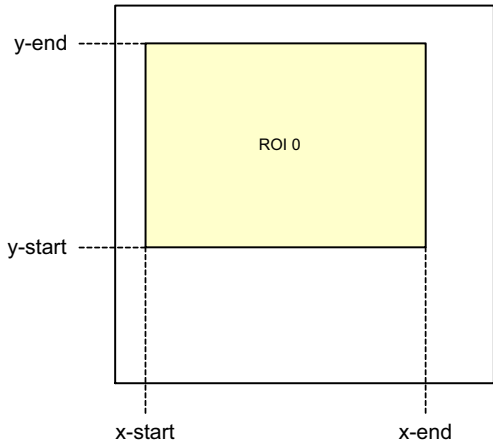


Figure 26. Region of Interest Configuration

- **x-start[7:0]**
x-start defines the x-starting point of the desired window. The sensor reads out 8 pixels in one single clock cycle. As a consequence, the granularity for configuring the x-start position is also 8 pixels for no sub sampling. The value configured in the x-start register is multiplied by 8 to find the corresponding column in the pixel array.
 - **x-end[7:0]**
This register defines the window end point on the x-axis. Similar to x-start, the granularity for this configuration is one kernel. x-end needs to be larger than x-start.
 - **y-start[9:0]**
The starting line of the readout window. The granularity of this setting is one line, except with color sensors where it needs to be an even number.
 - **y-end[9:0]**
The end line of the readout window. y-end must be configured larger than y-start. This setting has the same granularity as the y-start configuration.
- Up to eight windows can be defined, possibly (partially) overlapping, as illustrated in Figure 27.

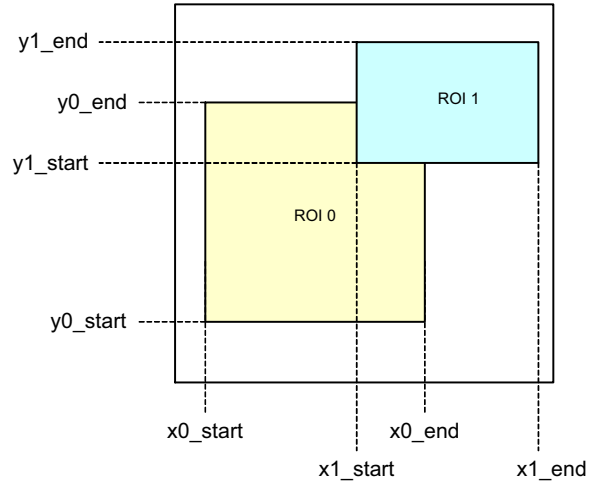


Figure 27. Overlapping Multiple Window Configuration

The sequencer analyses each line that need to be read out for multiple windows.

Restrictions

The following restrictions for each line are assumed for the user configuration:

- Windows are ordered from left to right, based on their x-start address:

$$x_start_roi(i) \leq x_start_roi(j) \text{ AND}$$

$$x_end_roi(i) \leq x_end_roi(j)$$

Where $j > i$

Processing Multiple Windows

The sequencer control block houses two sets of counters to construct the image frame. As previously described, the y-counter indicates the line that needs to be read out and is incremented at the end of each line. For the start of the frame, it is initialized to the y-start address of the first window and it runs until the y-end address of the last window to be read out. The last window is configured by the configuration registers and it is not necessarily window #7.

The x-counter starts counting from the x-start address of the window with the lowest ID which is active on the addressed line. Only windows for which the current y-address is enclosed are taken into account for scanning. Other windows are skipped.

Figure 28 illustrates a practical example of a configuration with five windows. The current position of the read pointer (ys) is indicated by a red line crossing the image array. For this position of the read pointer, three windows need to be read out. The initial start position for the x-kernel pointer is the x-start configuration of ROI1. Kernels are scanned up to the ROI3 x-end position. From there, the x-pointer jumps to the next window, which is ROI4 in this illustration. When reaching ROI4's x-end position, the read pointer is incremented to the next line and xs is reinitialized to the starting position of ROI1.

Notes:

- The starting point for the readout pointer at the start of a frame is the y-start position of the first active window.

- The read pointer is not necessarily incremented by one, but depending on the configuration, it can jump in y-direction. In Figure 28, this is the case when reaching the end of ROI0 where the read pointer jumps to the y-start position of ROI1
- The x-pointer starting position is equal to the x-start configuration of the first active window on the current line addressed. This window is not necessarily window #0.
- The x-pointer is not necessarily incremented by one each cycle. At the end of a window it can jump to the start of the next window.
- Each window can be activated separately. There is no restriction on which window and how many of the 8 windows are active.

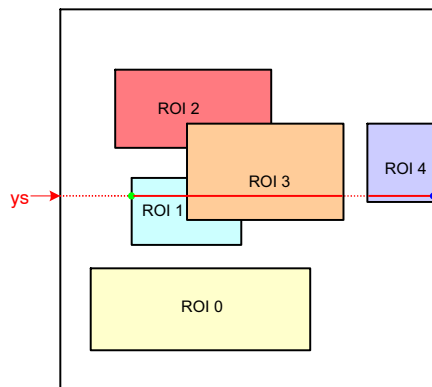


Figure 28. Scanning the Image Array with Five Windows

Subsampling

Subsampling is used to reduce the image resolution. This allows increasing the frame rate. Two subsampling modes are supported: for monochrome and NIR enhanced sensors (P1-SN/FN, P2-SN and P3-SN/FN) and color sensors (P1-SE / P2-SE / P3-SE).

Color Sensors

For color sensors, the read-2-skip-2 subsampling scheme is used. Subsampling occurs both in x- and y-direction. Figure 29 shows which pixels are read and which ones are skipped.

Monochrome and NIR Sensors

These sensors utilize the read-1-skip-1 subsampling scheme. Subsampling occurs both in x- and y-direction.

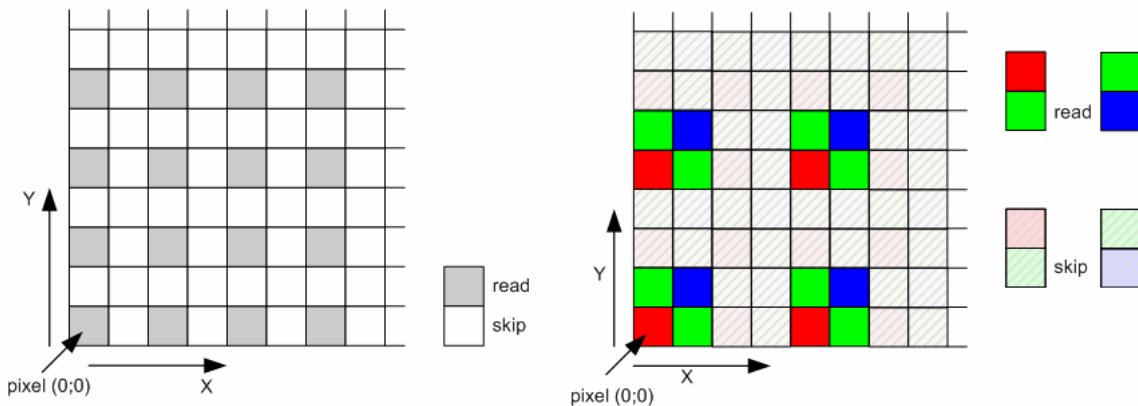


Figure 29. Subsampling Scheme for Monochrome and Color Sensors

Binning

Pixel binning is a technique in which different pixels belonging to a rectangular bin are averaged in the analog domain. Two-by-two pixel binning is available with the monochrome and NIR enhanced image sensors (P1-SN/FN, P2-SN, P3-SN/FN). This implies that two adjacent pixels are averaged both in column and row. Binning is configurable using a register setting. Pixel binning is not supported on PYTHON color option (P1-SE / P2-SE / P3-SE) and in Zero ROT mode.

NOTES:

1. Register 194[13:12] needs to be configured to 0x0 for 2x2 pixel binning and to 0x1 for 2x1 binning. Binning occurs only in x direction.
2. Binning in y-direction cannot be used in combination with pipelined integration and readout. The integration time and readout time should be separated in time (do not coincide).

Reverse Readout in Y-direction

Reverse readout in y-direction can be done by toggling reverse_y (reg 194[8]). The reference for y_start and y_end pointers is reversed.

Black Reference

The sensor reads out one or more black lines at the start of every new frame. The number of black lines to be generated is programmable and is minimal equal to 1. The length of the black lines depends on the operation mode. The sensor

always reads out the entire line (160 kernels), independent of window configurations.

The black references are used to perform black calibration and offset compensation in the data channels. The raw black pixel data is transmitted over the usual output interface, while the regular image data is compensated (can be bypassed).

On the output interface, black lines can be seen as a separate window, however without Frame Start and Ends (only Line Start/End). The Sync code following the Line Start and Line End indications (“window ID”) contains the active window number, which is 0. Black reference data is classified by a BL code.

Signal Path Gain

Analog Gain Stages

Referring to Table 12, three gain settings are available in the analog data path to apply gain to the analog signal before it is digitized. The gain amplifier can apply a gain of approximately 1x to 4x to the analog signal.

The moment a gain reconfiguration is applied and becomes valid can be controlled by the gain_lat_comp configuration.

With ‘gain_lat_comp’ set to ‘0’, the new gain configurations are applied from the very next frame.

With ‘gain_lat_comp’ set to ‘1’, the new gain settings are postponed by one extra frame. This feature is useful when exposure time and gain are reconfigured together, as an exposure time update always has one frame latency.

Table 12. SIGNAL PATH GAIN STAGES

| Address | Gain Setting | Gain Stage 1 (204[4:0]) | | Gain Stage 2 (204[12:5]) | | Overall Gain | |
|-----------|--------------|-------------------------|----------|--------------------------|----------|--------------|----------|
| | | Normal ROT | Zero ROT | Normal ROT | Zero ROT | Normal ROT | Zero ROT |
| 204[12:0] | 0x01E3 | 1 | NA | 1 | NA | 1 | NA |
| 204[12:0] | 0x01E1 | 1.9 | 1 | 1 | 1 | 1.9 | 1 |
| 204[12:0] | 0x01E4 | 3.5 | 1.8 | 1 | 1 | 3.5 | 1.8 |
| 204[12:0] | 0x01E8 | 14 | 8 | 1 | 1 | 14 | 8 |

NOTE: Device will meet the specifications after thermal equilibrium has been established when mounted in a test socket or printed circuit board with maintained transverse airflow greater than 500 lpm.

Digital Gain Stage

The digital gain stage allows fine gain adjustments on the digitized samples. The gain configuration is an absolute 5.7

unsigned number (5 digits before and 7 digits after the decimal point).

Automatic Exposure Control

The exposure control mechanism has the shape of a general feedback control system. Figure 30 shows the high level block diagram of the exposure control loop.

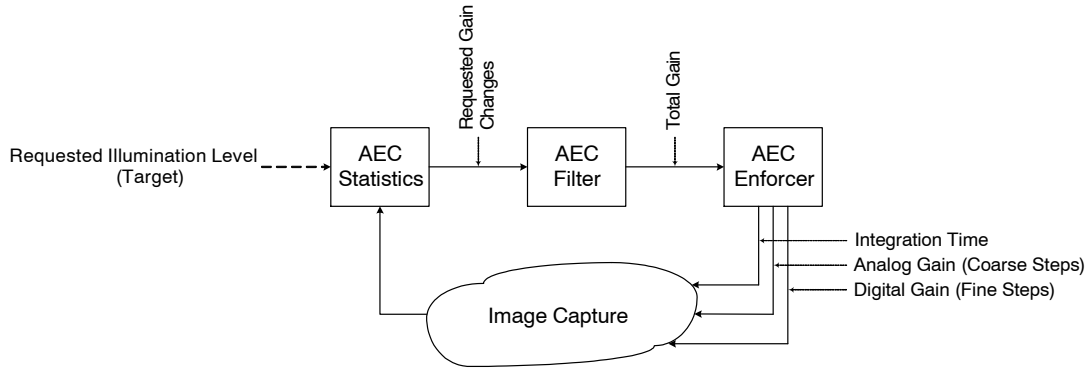


Figure 30. Automatic Exposure Control Loop

Three main blocks can be distinguished:

- The **statistics block** compares the average of the current image’s samples to the configured target value for the average illumination of all pixels
- The relative gain change request from the statistics block is filtered through the **AEC Filter block** in the time domain (low pass filter) before being integrated. The output of the filter is the total requested gain in the complete signal path.
- The **enforcer block** accepts the total requested gain and distributes this gain over the integration time and gain stages (both analog and digital)

The automatic exposure control loop is enabled by asserting the `aec_enable` configuration in register 160.

NOTE: Dual and Triple slope integration is not supported in conjunction with the AEC.

AEC Statistics Block

The statistics block calculates the average illumination of the current image. Based on the difference between the calculated illumination and the target illumination the statistics block requests a relative gain change.

Statistics Subsampling and Windowing

For average calculation, the statistics block will sub-sample the current image or windows by taking every fourth sample into account. Note that only the pixels read out through the active windows are visible for the AEC. In the case where multiple windows are active, the samples will be selected from the total samples. Samples contained in a region covered by multiple (overlapping) window will be taken into account only once.

It is possible to define an AEC specific sub-window on which the AEC will calculate its average. For instance, the sensor can be configured to read out a larger frame, while the illumination is measured on a smaller region of interest, e.g. center weighted as shown in Table 13.

Table 13. AEC SAMPLE SELECTION

| Register | Name | Description |
|----------|-----------------------------|--|
| 192[10] | <code>roi_aec_enable</code> | When 0x0, all active windows are selected for statistics calculation. When 0x1, the AEC samples are selected from the active pixels contained in the region of interest defined by <code>roi_aec</code> |
| 253-255 | <code>roi_aec</code> | These registers define a window from which the AEC samples will be selected when <code>roi_aec_enable</code> is asserted. Configuration is similar to the regular region of interests. The intersection of this window with the active windows define the selected pixels. It is important that this window at least overlaps with one or more active windows. |

Target Illumination

The target illumination value is configured by means of register *desired_intensity* as shown in Table 14.

Table 14. AEC TARGET ILLUMINATION CONFIGURATION

| Register | Name | Description |
|----------|-------------------|---|
| 161[9:0] | desired_intensity | Target intensity value, on 10-bit scale. For 8-bit mode, target value is configured on desired_intensity[9:2] |

Color Sensor

The weight of each color can be configured for color sensors by means of scale factors. Note these scale factor are only used to calculate the statistics in order to compensate for (off-chip) white balancing and/or color matrices. The pixel values itself are not modified.

The scale factors are configured as 3.7 unsigned numbers (0x80 = unity). Refer to Table 15 for color scale factors. For mono sensors, configure these factors to their default value.

Table 15. COLOR SCALE FACTORS

| Register | Name | Description |
|----------|---------------------|--|
| 162[9:0] | red_scale_factor | Red scale factor for AEC statistics |
| 163[9:0] | green1_scale_factor | Green1 scale factor for AEC statistics |
| 164[9:0] | green2_scale_factor | Green2 scale factor for AEC statistics |
| 165[9:0] | blue_scale_factor | Blue scale factor for AEC statistics |

AEC Filter Block

The filter block low-pass filters the gain change requests received from the statistics block.

The filter can be restarted by asserting the restart_filter configuration of register 160.

AEC Enforcer Block

The enforcer block calculates the four different gain parameters, based on the required total gain, thereby respecting a specific hierarchy in those configurations. Some (digital) hysteresis is added so that the (analog) sensor settings don't need to change too often.

Exposure Control Parameters

The several gain parameters are described below, in the order in which these are controlled by the AEC for large adjustments. Small adjustments are regulated by digital gain only.

- Exposure Time

The exposure is the time between the global image array reset de-assertion and the pixel charge transfer. The granularity of the integration time steps is configured by the *mult_timer* register.

NOTE: The *exposure_time* register is ignored when the AEC is enabled. The register *fr_length* defines the frame time and needs to be configured accordingly.

- Analog Gain

The sensor has two analog gain stages, configurable independently from each other. Typically the AEC shall only regulate the first stage.

- Digital Gain

The last gain stage is a gain applied on the digitized samples. The digital gain is represented by a 5.7 unsigned number (i.e. 7 bits after the decimal point). While the analog gain steps are coarse, the digital gain stage makes it possible to achieve very fine adjustments.

AEC Control Range

The control range for each of the exposure parameters can be pre-programmed in the sensor. Table 16 lists the relevant registers.

Table 16. MINIMUM AND MAXIMUM EXPOSURE CONTROL PARAMETERS

| Register | Name | Description |
|-----------|------------------|---|
| 168[15:0] | min_exposure | Lower bound for the integration time applied by the AEC |
| 169[1:0] | min_mux_gain | Lower bound for the first stage analog amplifier. This stage has three configurations with the following approximative gains: 0x0 = 1x 0x1 = 2x 0x2 = 4x |
| 169[3:2] | min_afe_gain | Lower bound for the second stage analog amplifier. This stage has one configuration with the following approximative gain: 0x0 = 1.00x |
| 169[15:4] | min_digital_gain | Lower bound for the digital gain stage. This configuration specifies the effective gain in 5.7 unsigned format |
| 170[15:0] | max_exposure | Upper bound for the integration time applied by the AEC |
| 171[1:0] | max_mux_gain | Upper bound for the first stage analog amplifier. This stage has three configurations with the following approximative gains: 0x0 = 1x 0x1 = 2x 0x2 = 4x |
| 171[3:2] | max_afe_gain | Upper bound for the second stage analog amplifier. This stage has one configuration with the following approximative gain: 0x0 = 1.00x |
| 171[15:4] | max_digital_gain | Upper bound for the digital gain stage. This configuration specifies the effective gain in 5.7 unsigned format |

AEC Update Frequency

As an integration time update has a latency of one frame, the exposure control parameters are evaluated and updated every other frame.

Note: The gain update latency must be postpone to match the integration time latency. This is done by asserting the *gain_lat_comp* register on address 204[13].

Exposure Control Status Registers

Configured integration and gain parameters are reported to the user by means of status registers. The sensor provides two levels of reporting: the status registers reported in the AEC address space are updated once the parameters are recalculated and requested to the internal sequencer. The status registers residing in the sequencer's address space on the other hand are updated once these parameters are taking effect on the image readout. Refer to Table 17 reflecting the AEC and Sequencer Status registers.

Table 17. EXPOSURE CONTROL STATUS REGISTERS

| Register | Name | Description |
|----------------------|--------------|--|
| AEC Status Registers | | |
| 184[15:0] | total_pixels | Total number of pixels taken into account for the AEC statistics. |
| 186[9:0] | average | Calculated average illumination level for the current frame. |
| 187[15:0] | exposure | AEC calculated exposure. Note: this parameter is updated at the frame end. |
| 188[1:0] | mux_gain | AEC calculated analog gain (1 st stage) Note: this parameter is updated at the frame end. |
| 188[3:2] | afe_gain | AEC calculated analog gain (2 nd stage) Note: this parameter is updated at the frame end. |
| 188[15:4] | digital_gain | AEC calculated digital gain (5.7 unsigned format) Note: this parameter is updated at the frame end. |

Table 17. EXPOSURE CONTROL STATUS REGISTERS

| Register | Name | Description |
|----------------------------|--------------|--|
| Sequencer Status Registers | | |
| 242[15:0] | mult_timer | mult_timer for current frame (global shutter only). Note: this parameter is updated once it takes effect on the image. |
| 243[15:0] | reset_length | Image array reset length for the current frame (global shutter only). Note: this parameter is updated once it takes effect on the image. |
| 244[15:0] | exposure | Exposure for the current frame. Note: this parameter is updated once it takes effect on the image. |
| 245[15:0] | exposure_ds | Dual slope exposure for the current frame. Note this parameter is not controlled by the AEC. Note: this parameter is updated once it takes effect on the image. |
| 246[15:0] | exposure_ts | Triple slope exposure for the current frame. Note this parameter is not controlled by the AEC. Note: this parameter is updated once it takes effect on the image. |
| 247[4:0] | mux_gainsw | 1 st stage analog gain for the current frame. Note: this parameter is updated once it takes effect on the image. |

| Register | Name | Description |
|-----------|--------------|---|
| 247[12:5] | afe_gain | 2 nd stage analog gain for the current frame. Note: this parameter is updated once it takes effect on the image. |
| 248[11:0] | db_gain | Digital gain configuration for the current frame (5.7 unsigned format). Note: this parameter is updated once it takes effect on the image. |
| 248[12] | dual_slope | Dual slope configuration for the current frame Note 1: this parameter is updated once it takes effect on the image. Note 2: This parameter is not controlled by the AEC. |
| 248[13] | triple_slope | Triple slope configuration for the current frame. Note 1: this parameter is updated once it takes effect on the image. Note 2: This parameter is not controlled by the AEC. |

NOIP1SN1300A

Mode Changes and Frame Blanking

Dynamically reconfiguring the sensor may lead to corrupted or non-uniformly exposed frames. For some reconfigurations, the sensor automatically blanks out the image data during one frame. Frame blanking is

summarized in the following table for the sensor's image related modes.

NOTE: Major mode switching (i.e. switching between master, triggered or slave mode) must be performed while the sequencer is disabled (reg_seq_enable = 0x0).

Table 18. DYNAMIC SENSOR RECONFIGURATION AND FRAME BLANKING

| Configuration | Corrupted Frame | Blanked Out Frame | Notes |
|-----------------------------------|---|-------------------|--|
| Shutter Mode and Operation | | | |
| triggered_mode | Do not reconfigure while the sensor is acquiring images. Disable image acquisition by setting reg_seq_enable = 0x0. | | |
| slave_mode | Do not reconfigure while the sensor is acquiring images. Disable image acquisition by setting reg_seq_enable = 0x0. | | |
| subsampling | Enabling: No Disabling: Yes | Configurable | Configurable with blank_subsampling_ss register. |
| binning | No | Configurable | Configurable with blank_subsampling_ss register |
| Frame Timing | | | |
| black_lines | No | No | |
| Exposure Control | | | |
| mult_timer | No | No | Latency is 1 frame |
| fr_length | No | No | Latency is 1 frame |
| exposure | No | No | Latency is 1 frame |
| Gain | | | |
| mux_gainsw | No | No | Latency configurable by means of gain_lat_comp register |
| afe_gain | No | No | Latency configurable by means of gain_lat_comp register. |
| db_gain | No | No | Latency configurable by means of gain_lat_comp register. |
| Window/ROI | | | |
| roi_active | See Note | No | Windows containing lines previously not read out may lead to corrupted frames. |
| roj*_configuration* | See Note | No | Reconfiguring the windows by means of roj*_configuration* may lead to corrupted frames when configured close to frame boundaries. It is recommended to (re)configure an inactive window and switch the roi_active register. See Notes on roi_active. |
| Black Calibration | | | |
| black_samples | No | No | If configured within range of configured black lines |
| auto_blackcal_enable | See Note | No | Manual correction factors become instantly active when auto_blackcal_enable is deasserted during operation. |
| blackcal_offset | See Note | No | Manual blackcal_offset updates are instantly active. |
| CRC Calculation | | | |
| crc_seed | No | No | Impacts the transmitted CRC |
| Sync Channel | | | |
| bl_0 | No | No | Impacts the Sync channel information, not the Data channels. |
| img_0 | No | No | Impacts the Sync channel information, not the Data channels. |
| crc_0 | No | No | Impacts the Sync channel information, not the Data channels. |
| tr_0 | No | No | Impacts the Sync channel information, not the Data channels. |

Temperature Sensor

The PYTHON 300, PYTHON 500, and PYTHON 1300 image sensors have an on-chip temperature sensor which returns a digital code (Tsensor) of the silicon junction temperature. The Tsensor output is a 8-bit digital count between 0 and 255, proportional to the temperature of the silicon substrate. This reading can be translated directly to a temperature reading in °C by calibrating the 8-bit readout at 0°C and 85°C to achieve an output accuracy of ±2°C. The Tsensor output can also be calibrated using a single temperature point (example: room temperature or the ambient temperature of the application), to achieve an output accuracy of ±5°C.

Note that any process variation will result in an offset in the bit count and that offset will remain within ±5°C over the temperature range of 0°C and 85°C. Tsensor output digital code can be read out through the SPI interface.

Output of the temperature sensor to the SPI:

tempd_reg_temp<7:0>: This is the 8-bit N count readout proportional to temperature.

Input from the SPI:

The *reg_tempd_enable* is a global enable and this enables or disables the temperature sensor when logic high or logic

low respectively. The temperature sensor is reset or disabled when the input *reg_tempd_enable* is set to a digital low state.

Calibration using one temperature point

The temperature sensor resolution is fixed for a given type of package for the operating range of 0°C to +85°C and hence devices can be calibrated at any ambient temperature of the application, with the device configured in the mode of operation.

Interpreting the actual temperature for the digital code readout:

The formula used is

$$T_j = R (N_{read} - N_{calib}) + T_{calib}$$

T_j = junction die temperature

R = resolution in degrees/LSB (typical 0.75 deg/LSB)

N_{read} = Tsensor output (LSB count between 0 and 255)

T_{calib} = Tsensor calibration temperature

N_{calib} = Tsensor output reading at T_{calib}

Monitor Pins

The internal sequencer has two monitor outputs (Pin 44 and Pin 45) that can be used to communicate the internal states from the sequencer. A three-bit register configures the assignment of the pins as shown in Table 19.

Table 19. REGISTER SETTING FOR THE MONITOR SELECT PIN

| monitor_select [2:0] 192 [13:11] | monitor pin | Description |
|-------------------------------------|----------------------|--|
| 0x0 | monitor0 monitor1 | '0' '0' |
| 0x1 | monitor0 monitor1 | Integration Time ROT Indication ('1' during ROT, '0' outside) |
| 0x2 | monitor0 monitor1 | Integration Time Dual/Triple Slope Integration (asserted during DS/TS FOT sequence) |
| 0x3 | monitor0 monitor1 | Start of x-Readout Indication Black Line Indication ('1' during black lines, '0' outside) |
| 0x4 | monitor0 monitor1 | Frame Start Indication Start of ROT Indication |
| 0x5 | monitor0 monitor1 | First Line Indication ('1' during first line, '0' for all others) Start of ROT Indication |
| 0x6 | monitor0 monitor1 | ROT Indication ('1' during ROT, '0' outside) Start of X-Readout Indication |
| 0x7 | monitor0 monitor1 | Start of X-readout Indication for Black Lines Start of X-readout Indication for Image Lines |

DATA OUTPUT FORMAT

The PYTHON 300, PYTHON 500, and PYTHON 1300 image sensors are available in two LVDS output configuration, P1 and P3.

The P1 configuration utilizes four LVDS output channels together with an LVDS clock output and an LVDS synchronization output channel.

The P3 configuration consists of two LVDS output channels together with an LVDS clock output and an LVDS synchronization output channel.

The PYTHON 1300 is also available in a CMOS output configuration – P2, which includes a 10-bit parallel CMOS output together with a CMOS clock output and ‘frame valid’ and ‘line valid’ CMOS output signals.

P1–SN/SE/FN, P3–SN/SE/FN: LVDS Interface Version**LVDS Output Channels**

The image data output occurs through four LVDS data channels where a synchronization LVDS channel and an LVDS output clock signal synchronizes the data. Referring to Table 21, the four data channels on the P1 option are used to output the image data only, while on the P3 option, two data channel channels are utilized. The sync channel transmits information about the data sent over these data channels (includes codes indicating black pixels, normal pixels, and CRC codes).

8-bit / 10-bit Mode

The sensor can be used in 8-bit or 10-bit mode.

In 10-bit mode, the words on data and sync channel have a 10-bit length. The output data rate is 720 Mbps.

In 8-bit mode, the words on data and sync channel have an 8-bit length, the output data rate is 576 Mbps.

Note that the 8-bit mode can only be used to limit the data rate at the consequence of image data word depth. It is not supported to operate the sensor in 8-bit mode at a higher clock frequency to achieve higher frame rates.

The P1 option supports 10-bit/8-bit in ZROT/NROT mode, while the P3 option supports 10-bit NROT mode only.

Frame Format

The frame format in 8-bit mode is identical to the 10-bit mode with the exception that the Sync and data word depth is reduced to eight bits.

The frame format in 10-bit mode is explained by example of the readout of two (overlapping) windows as shown in Figure 31(a).

The readout of a frame occurs on a line-by-line basis. The read pointer goes from left to right, bottom to top.

Figure 31 indicates that, after the FOT is completed, the sensor reads out a number of black lines for black calibration purposes. After these black lines, the windows are processed. First a number of lines which only includes information of ‘ROI 0’ are sent out, starting at position $y0_start$. When the line at position $y1_start$ is reached, a number of lines containing data of ‘ROI 0’ and ‘ROI 1’ are sent out, until the line position of $y0_end$ is reached. From there on, only data of ‘ROI 1’ appears on the data output channels until line position $y1_end$ is reached.

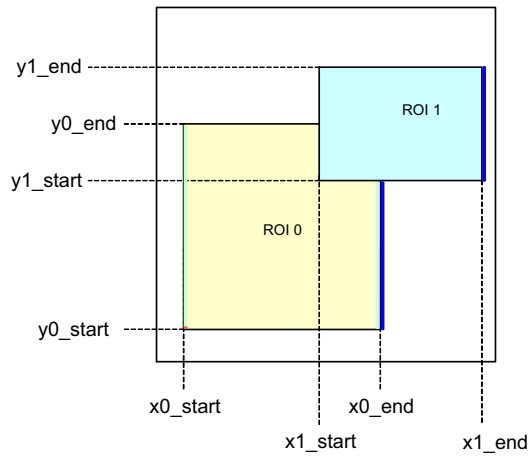
During read out of the image data over the data channels, the sync channel sends out frame synchronization codes which give information related to the image data that is sent over the four data output channels.

Each line of a window starts with a Line Start (LS) indication and ends with a Line End (LE) indication. The line start of the first line is replaced by a Frame Start (FS); the line end of the last line is replaced with a Frame End indication (FE). Each such frame synchronization code is followed by a window ID (range 0 to 7). For overlapping windows, the line synchronization codes of the overlapping windows with lower IDs are not sent out (as shown in the illustration: no LE/FE is transmitted for the overlapping part of window 0).

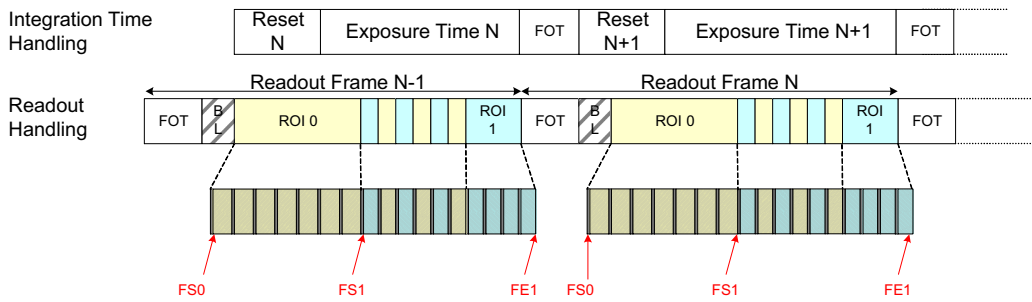
NOTE: In Figure 31, only Frame Start and Frame End Sync words are indicated in (b). CRC codes are also omitted from the figure.

For additional information on the synchronization codes, please refer to Application Note AND5001.

NOIP1SN1300A



(a)



(b)

Figure 31. P1-SN/SE/FN, P3-SN/SE/FN: Frame Sync Codes

Figure 32 shows the detail of a black line readout during global or full-frame readout.

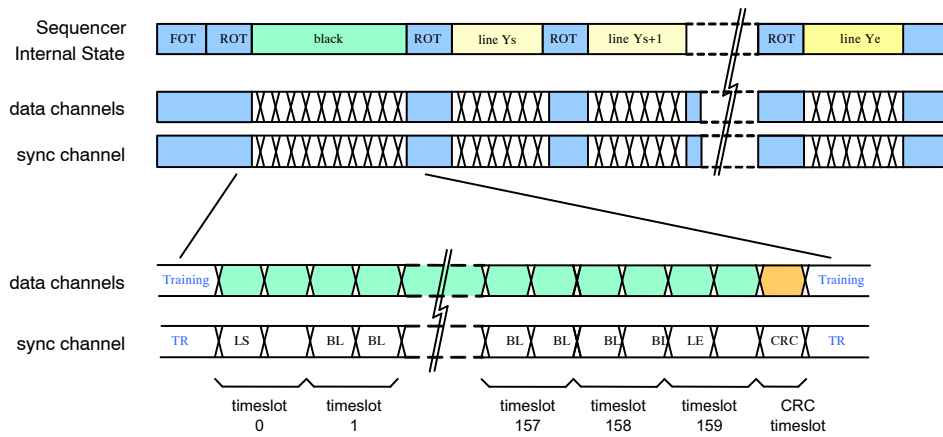


Figure 32. P1-SN/SE/FN, P3-SN/SE/FN: Time Line for Black Line Readout

NOIP1SN1300A

Figure 33 shows shows the details of the readout of a number of lines for single window readout, at the beginning of the frame.



Figure 33. P1–SN/SE/FN, P3–SN/SE/FN: Time Line for Single Window Readout (at the start of a frame)

Figure 34 shows the detail of the readout of a number of lines for readout of two overlapping windows.



Figure 34. P1–SN/SE/FN, P3–SN/SE/FN: Time Line Showing the Readout of Two Overlapping Windows

Frame Synchronization for 10-bit Mode

Table 20 shows the structure of the frame synchronization code. Note that the table shows the default data word (configurable) for 10-bit mode. If more than one window is

active at the same time, the sync channel transmits the frame synchronization codes of the window with highest index only.

Table 20. FRAME SYNCHRONIZATION CODE DETAILS FOR 10-BIT MODE

| Sync Word Bit Position | Register Address | Default Value | Description |
|------------------------|------------------|---------------|--|
| 9:7 | N/A | 0x5 | Frame start indication |
| 9:7 | N/A | 0x6 | Frame end indication |
| 9:7 | N/A | 0x1 | Line start indication |
| 9:7 | N/A | 0x2 | Line end indication |
| 6:0 | 117[6:0] | 0x2A | These bits indicate that the received sync word is a frame synchronization code. The value is programmable by a register setting |

NOIP1SN1300A

- Window Identification

Frame synchronization codes are always followed by a 3-bit window identification (bits 2:0). This is an integer number, ranging from 0 to 7, indicating the active window. If more than one window is active for the current cycle, the highest window ID is transmitted.

- Data Classification Codes

For the remaining cycles, the sync channel indicates the type of data sent through the data links: black pixel data (BL), image data (IMG), or training pattern (TR). These codes are programmable by a register setting. The default values are listed in Table 21.

Table 21. SYNCHRONIZATION CHANNEL DEFAULT IDENTIFICATION CODE VALUES FOR 10-BIT MODE

| Sync Word Bit Position | Register Address | Default Value | Description |
|------------------------|------------------|---------------|--|
| 9:0 | 118 [9:0] | 0x015 | Black pixel data (BL). This data is not part of the image. The black pixel data is used internally to correct channel offsets. |
| 9:0 | 119 [9:0] | 0x035 | Valid pixel data (IMG). The data on the data output channels is valid pixel data (part of the image). |
| 9:0 | 125 [9:0] | 0x059 | CRC value. The data on the data output channels is the CRC code of the finished image data line. |
| 9:0 | 126 [9:0] | 0x3A6 | Training pattern (TR). The sync channel sends out the training pattern which can be programmed by a register setting. |

Frame Synchronization in 8-bit Mode

The frame synchronization words are configured using the same registers as in 10-bit mode. The two least significant bits of these configuration registers are ignored

and not sent out. Table 32 shows the structure of the frame synchronization code, together with the default value, as specified in SPI registers. The same restriction for overlapping windows applies in 8-bit mode.

Table 22. FRAME SYNCHRONIZATION CODE DETAILS FOR 8-BIT MODE

| Sync Word Bit Position | Register Address | Default Value | Description |
|------------------------|------------------|---------------|---|
| 7:5 | N/A | 0x5 | Frame start (FS) indication |
| 7:5 | N/A | 0x6 | Frame end (FE) indication |
| 7:5 | N/A | 0x1 | Line start (LS) indication |
| 7:5 | N/A | 0x2 | Line end (LE) indication |
| 4:0 | 117 [6:2] | 0x0A | These bits indicate that the received sync word is a frame synchronization code. The value is programmable by a register setting. |

- Window Identification

Similar to 10-bit operation mode, the frame synchronization codes are followed by a window identification. The window ID is located in bits 4:2 (all other bit positions are ‘0’). The same restriction for overlapping windows applies in 8-bit mode.

- Data Classification Codes

BL, IMG, CRC, and TR codes are defined by the same registers as in 10-bit mode. Bits 9:2 of the respective configuration registers are used as classification code with default values shown in Table 23.

Table 23. SYNCHRONIZATION CHANNEL DEFAULT IDENTIFICATION CODE VALUES FOR 8-BIT MODE

| Sync Word Bit Position | Register Address | Default Value | Description |
|------------------------|------------------|---------------|--|
| 7:0 | 118 [9:2] | 0x05 | Black pixel data (BL). This data is not part of the image. The black pixel data is used internally to correct channel offsets. |
| 7:0 | 119 [9:2] | 0x0D | Valid pixel data (IMG). The data on the data output channels is valid pixel data (part of the image). |
| 7:0 | 125 [9:2] | 0x16 | CRC value. The data on the data output channels is the CRC code of the finished image data line. |
| 7:0 | 126 [9:2] | 0xE9 | Training Pattern (TR). The sync channel sends out the training pattern which can be programmed by a register setting. |

NOIP1SN1300A

Training Patterns on Data Channels

In 10-bit mode, during idle periods, the data channels transmit training patterns, indicated on the sync channel by

a TR code. These training patterns are configurable independent of the training code on the sync channel as shown in Table 24.

Table 24. TRAINING CODE ON SYNC CHANNEL IN 10-BIT MODE

| Sync Word Bit Position | Register Address | Default Value | Description |
|------------------------|------------------|---------------|---|
| [9:0] | 116 [9:0] | 0x3A6 | Data channel training pattern. The data output channels send out the training pattern, which can be programmed by a register setting. The default value of the training pattern is 0x3A6, which is identical to the training pattern indication code on the sync channel. |

In 8-bit mode, the training pattern for the data channels is defined by the same register as in 10-bit mode, where the lower two bits are omitted; see Table 25.

Table 25. TRAINING PATTERN ON DATA CHANNEL IN 8-BIT MODE

| Data Word Bit Position | Register Address | Default Value | Description |
|------------------------|------------------|---------------|---|
| [7:0] | 116 [9:2] | 0xE9 | Data Channel Training Pattern (Training pattern). |

Cyclic Redundancy Code

At the end of each line, a CRC code is calculated to allow error detection at the receiving end. Each data channel transmits a CRC code to protect the data words sent during the previous cycles. Idle and training patterns are not included in the calculation.

The sync channel is not protected. A special character (CRC indication) is transmitted whenever the data channels send their respective CRC code.

The polynomial in 10-bit operation mode is $x^{10} + x^9 + x^6 + x^3 + x^2 + x + 1$. The CRC encoder is seeded at the start of a new line and updated for every (valid) data word received. The CRC seed is configurable using the `crc_seed` register. When '0', the CRC is seeded by all-'0'; when '1' it is seeded with all-'1'.

In 8-bit mode, the polynomial is $x^8 + x^6 + x^3 + x^2 + 1$. The CRC seed is configured by means of the `crc_seed` register.

NOTE: The CRC is calculated for every line. This implies that the CRC code can protect lines from multiple windows.

LVDS Output Multiplexing

The PYTHON300, PYTHON500 and PYTHON1300 image sensors contain a function for down-multiplexing the output channels. Using this function, one may for instance use the device with 2 or 1 data channels instead of 4 data channels.

Enabling the channel multiplexing is done through register 32[5:4]. The default value of 0x0 disables all channel multiplexing. Higher values sets a higher degree of channel multiplexing. Note that the Sync identification codes are repeated multiple times depending on the multiplex factor. The channels that are used per degree of multiplexing and the number of Sync Code repetitions are shown in Table 26. The unused data channels are powered down and will not send any data.

Table 26. LVDS CHANNEL MULTIPLEXING

| Number of Output Channels | PYTHON 300 / PYTHON 500 / PYTHON 1300 - LVDS Channels | | | | Register 32[5:4] Data | Register 211 Data | Sync Code Repetitions |
|---------------------------|---|------|------|------|-----------------------|-------------------|-----------------------|
| | Ch 0 | Ch 1 | Ch 2 | Ch 3 | | | |
| 4 channels | Ch 0 | Ch 1 | Ch 2 | Ch 3 | 0x0 | 0x0E49 | 1 |
| 2 channels | Ch 0 | | Ch 2 | | 0x1, 0x2 | 0x0E39 | 2 |
| 1 channel | Ch 0 | | | | 0x3 | 0x0E29 | 4 |

NOTE: Device will meet the specifications after thermal equilibrium has been established when mounted in a test socket or printed circuit board with maintained transverse airflow greater than 500 lpm.

NOIP1SN1300A

Data Order for P1-SN/SE/FN, P3-SN/SE/FN: LVDS Interface Version

To read out the image data through the output channels, the pixel array is organized in kernels. The kernel size is eight pixels in x-direction by one pixel in y-direction. The

data order in 8-bit mode is identical to the 10-bit mode. Figure 35 indicates how the kernels are organized. The first kernel (kernel [0, 0]) is located in the bottom left corner. The data order of this image data on the data output channels depends on the subsampling mode.

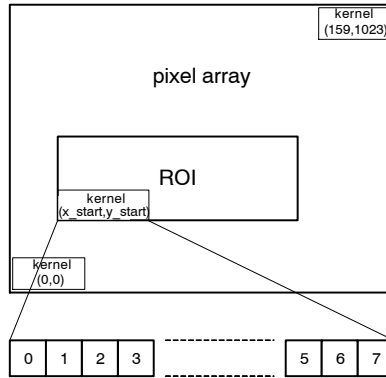


Figure 35. Kernel Organization in Pixel Array

- P1-SN/SE/FN, P3-SN/SE/FN: Subsampling disabled
 - ◆ 4 LVDS output channels (P1 only)

The image data is read out in kernels of eight pixels in x-direction by one pixel in y-direction. One data channel output delivers two pixel values of one kernel sequentially.

Figure 36 shows how a kernel is read out over the four output channels. For even positioned kernels, the kernels are read out ascending, while for odd positioned kernels the data order is reversed (descending).

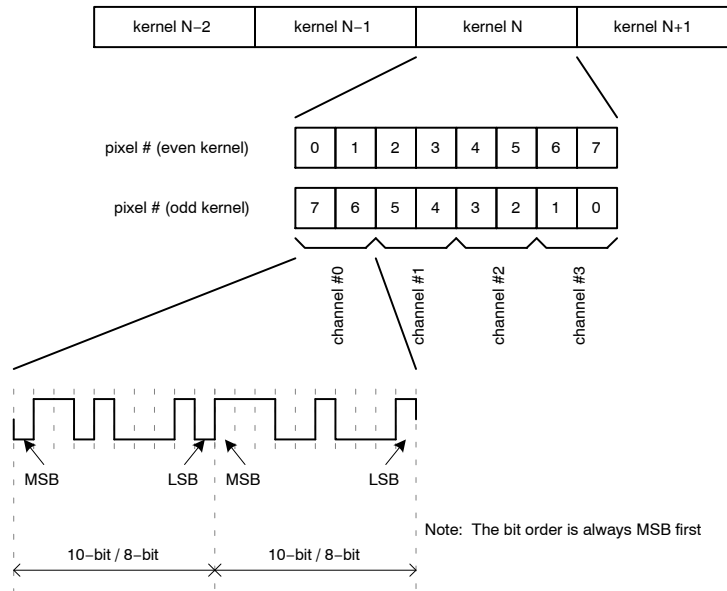


Figure 36. P1-SN/SE/FN: 4 LVDS Data Output Order when Subsampling is Disabled

NOIP1SN1300A

◆ 2 LVDS output channels

Figure 37 shows how a kernel is read out over 2 output channels. Each pair of adjacent channels is multiplexed into one channel. For even positioned kernels, the kernels are

read out ascending but in pair of even and odd pixels, while for odd positioned kernels the data order is reversed (descending) but in pair of even and odd pixels.

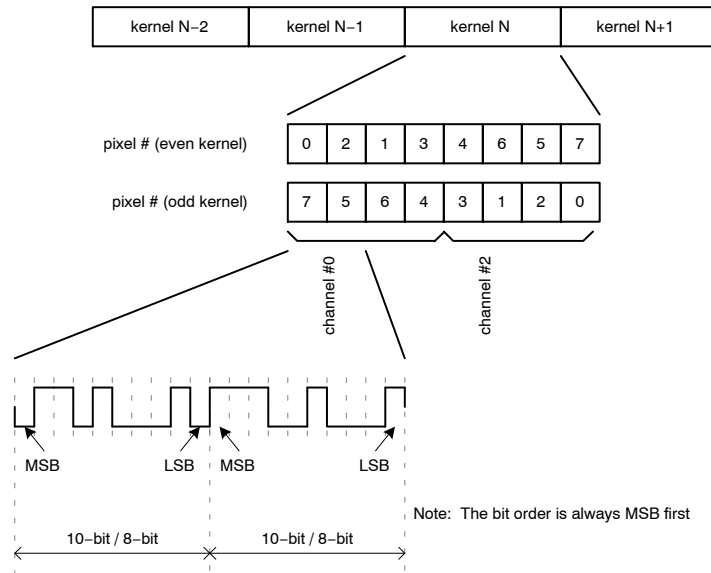


Figure 37. P1-SN/SE/FN, P3-SN/SE/FN: 2 LVDS Data Output Order when Subsampling is Disabled

◆ 1 LVDS output channel

Figure 38 shows how a kernel is read out over 1 output channel. Each bunch of four adjacent channels is multiplexed into one channel. For even positioned kernels,

the kernels are read out ascending but in sets of 4 even and 4 odd pixels, while for odd positioned kernels the data order is reversed (descending) but in sets of 4 odd and 4 even pixels.

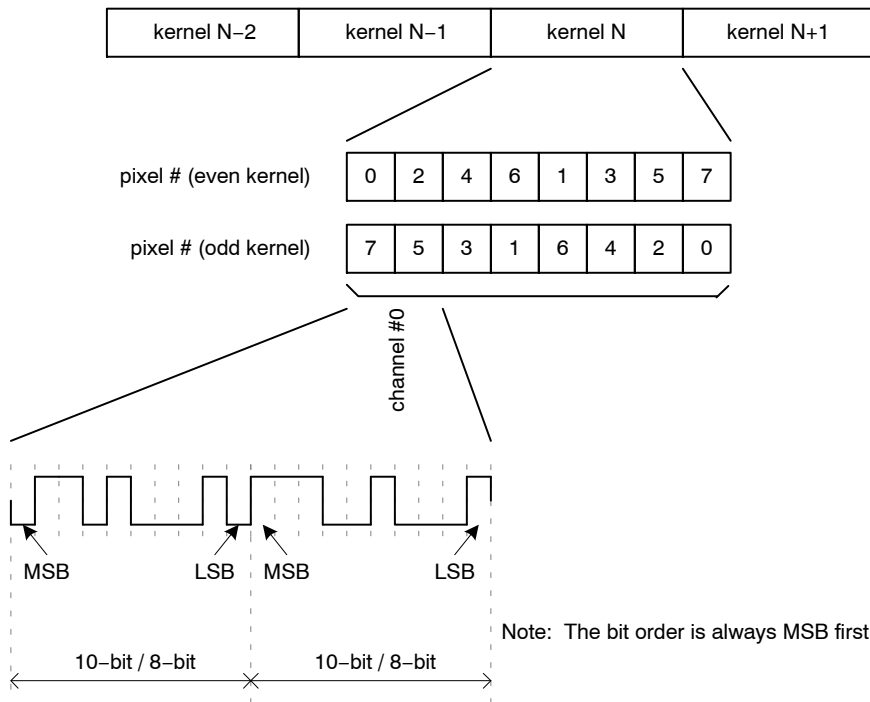


Figure 38. P1-SN/SE/FN, P3-SN/SE/FN: 1 LVDS Data Output Order when Subsampling is Disabled

NOIP1SN1300A

- P1–SN/FN, P3–SN/FN: Subsampling on Monochrome Sensor

During subsampling on a monochrome sensor, every other pixel is read out and the lines are read in a read-1-skip-1 manner. To read out the image data with subsampling enabled on a monochrome sensor, two neighboring kernels are combined to a single kernel of 16 pixels in the x-direction and one pixel in the y-direction. Only the pixels at the even pixel positions inside that kernel

are read out. Note that there is no difference in data order for even/odd kernel numbers, as opposed to the ‘no-subsampling’ readout.

- ◆ 4 LVDS output channels (P1 only)

Figure 39 shows the data order for 4 LVDS output channels. Note that there is no difference in data order for even/odd kernel numbers, as opposed to the ‘no-subsampling’ readout described in previous section.

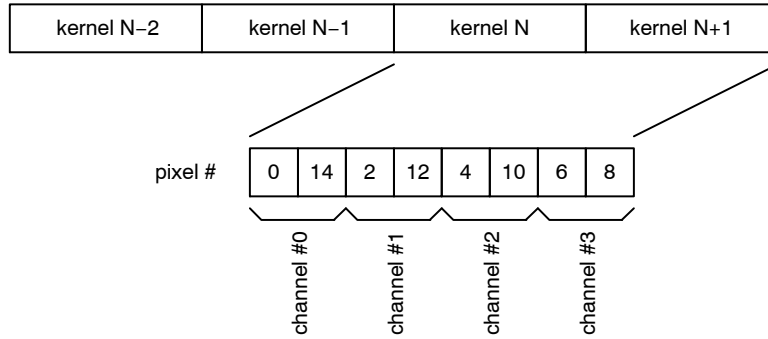


Figure 39. P1–SN/FN: Data Output Order for 4 LVDS Output Channels in Subsampling Mode on a Monochrome Sensor

- ◆ 2 LVDS output channels

Figure 40 shows the data order for 2 LVDS output channels. Note that there is no difference in data order for

even/odd kernel numbers, as opposed to the ‘no-subsampling’ readout described in previous section.

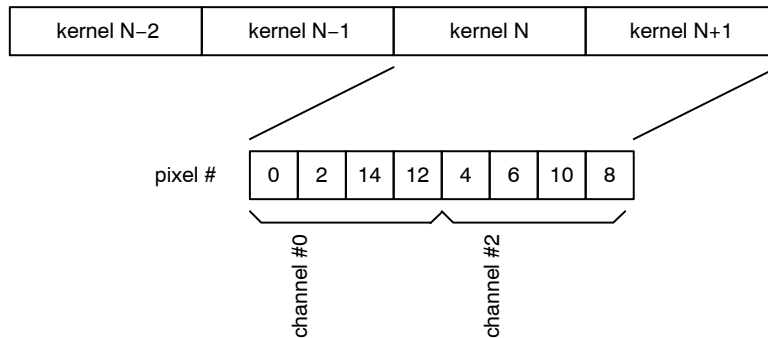


Figure 40. P1–SN/FN, P3–SN/FN: Data Output Order for 2 LVDS Output Channels in Subsampling Mode on a Monochrome Sensor

NOIP1SN1300A

◆ 1 LVDS output channel

Figure 41 shows the data order for 1 LVDS output channel. Note that there is no difference in data order for

even/odd kernel numbers, as opposed to the 'no-subsampling' readout described in previous section.

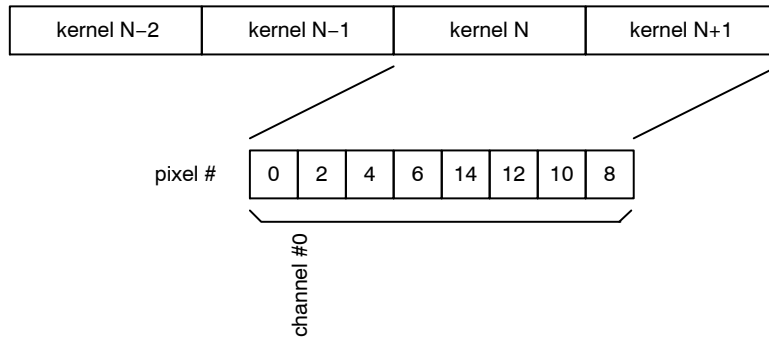


Figure 41. P1-SN/FN, P3-SN/FN: Data Output Order for 1 LVDS Output Channels in Subsampling Mode on a Monochrome Sensor

● P1-SN/FN, P3-SN/FN: Binning on Monochrome Sensor

The output order in binning mode is identical to the subsampled mode.

● P1-SE, P3-SE: Subsampling on Color Sensor

During subsampling on a color sensor, lines are read in a read-2-skip-2 manner. To read out the image data with subsampling enabled on a color sensor, two neighboring kernels are combined to a single kernel of 16 pixels in the

x-direction and one pixel in the y-direction. Only the pixels 0, 1, 4, 5, 8, 9, 12 and 13 are read out. Note that there is no difference in data order for even/odd kernel numbers, as opposed to the 'no-subsampling' readout.

◆ 4 LVDS output channels (P1 only)

Figure 42 shows the data order for 4 LVDS output channels. Note that there is no difference in data order for even/odd kernel numbers, as opposed to the 'no-subsampling' readout described in previous section.

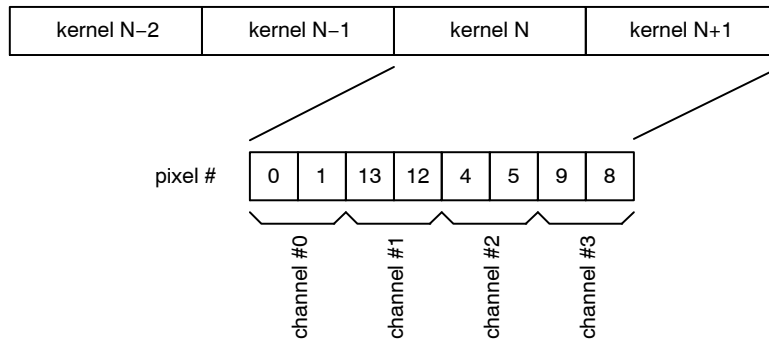


Figure 42. P1-SE: Data Output Order for 4 LVDS Output Channels in Subsampling Mode on a Color Sensor

NOIP1SN1300A

◆ 2 LVDS output channels

Figure 43 shows the data order for 2 LVDS output channels. Note that there is no difference in data order for

even/odd kernel numbers, as opposed to the 'no-subsampling' readout described in previous section.

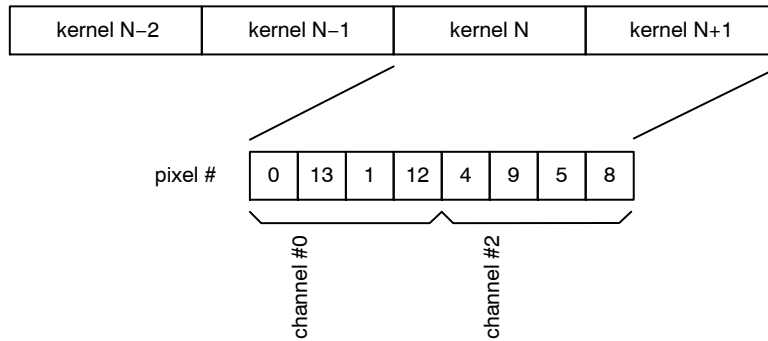


Figure 43. P1-SE, P3-SE: Data Output Order for 2 LVDS Output Channels in Subsampling Mode on a Color Sensor

◆ 1 LVDS output channel

Figure 44 shows the data order for 1 LVDS output channel. Note that there is no difference in data order for

even/odd kernel numbers, as opposed to the 'no-subsampling' readout described in previous section.

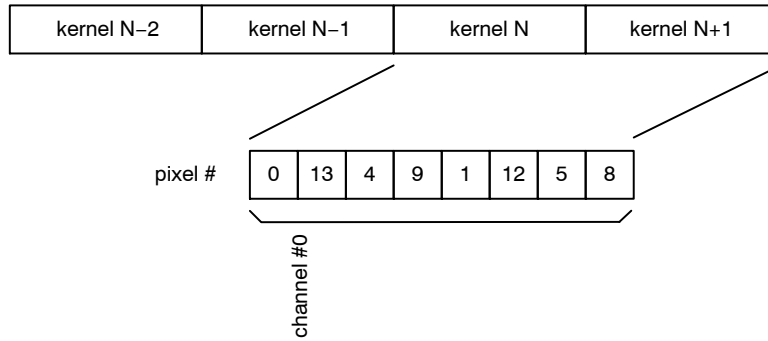


Figure 44. P1-SE, P3-SE: Data Output Order for 1 LVDS Output Channel in Subsampling Mode on a Color Sensor

NOIP1SN1300A

P2-SN/SE: CMOS Interface Version

CMOS Output Signals

The image data output occurs through a single 10-bit parallel CMOS data output, operating at the applied `clk_pll` frequency. A CMOS clock output, 'frame valid' and 'line valid' signal synchronizes the output data.

No windowing information is sent out by the sensor.

8-bit/10-bit Mode

The 8-bit mode is not supported when using the parallel CMOS output interface.

Frame Format

Frame timing is indicated by means of two signals: `frame_valid` and `line_valid`.

- The `frame_valid` indication is asserted at the start of a new frame and remains asserted until the last line of the frame is completely transmitted.
- The `line_valid` indication serves the following needs:
 - ♦ While the `line_valid` indication is asserted, the data channels contain valid pixel data.
 - ♦ The line valid communicates frame timing as it is asserted at the start of each line and it is de-asserted at the end of the line. Low periods indicate the idle time between lines (ROT).
 - ♦ The data channels transmit the calculated CRC code after each line. This can be detected as the data words right after the falling edge of the line valid.

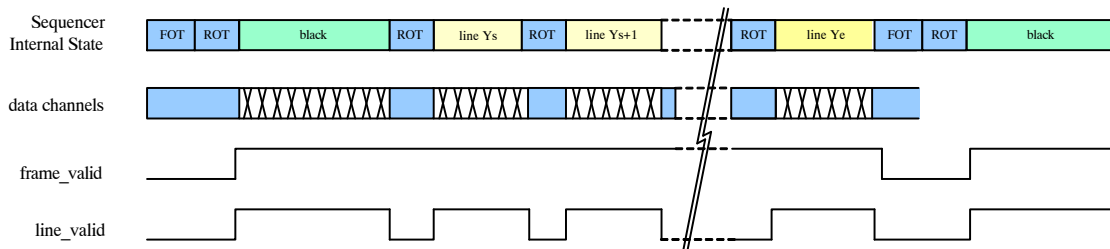


Figure 45. P2-SN/SE/FN: Frame Timing Indication

NOIP1SN1300A

The frame format is explained with an example of the readout of two (overlapping) windows as shown in Figure 46 (a).

The readout of a frame occurs on a line-by-line basis. The read pointer goes from left to right, bottom to top. Figure 46 (a) and (b) indicate that, after the FOT is finished, a number of lines which include information of 'ROI 0' are sent out,

starting at position $y0_start$. When the line at position $y1_start$ is reached, a number of lines containing data of 'ROI 0' and 'ROI 1' are sent out, until the line position of $y0_end$ is reached. Then, only data of 'ROI 1' appears on the data output until line position $y1_end$ is reached. The $line_valid$ strobe is not shown in Figure 46.

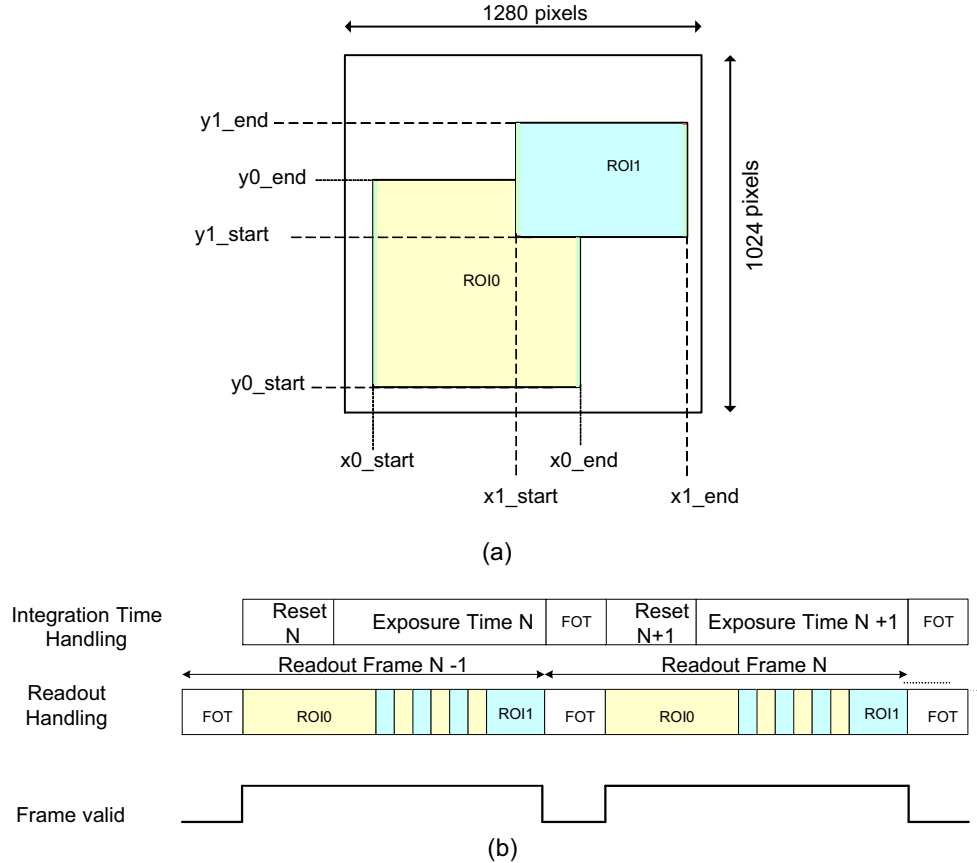


Figure 46. P2-SN/SE: Frame Format to Read Out Image Data

Black Lines

Black pixel data is also sent through the data channels. To distinguish these pixels from the regular image data, it is

possible to 'mute' the frame and/or line valid indications for the black lines. Refer to Table 27 for black line, $frame_valid$ and $line_valid$ settings.

Table 27. BLACK LINE FRAME_VALID AND LINE_VALID SETTINGS

| $bl_frame_valid_enable$ | $bl_line_valid_enable$ | Description |
|----------------------------|---------------------------|--|
| 0x1 | 0x1 | The black lines are handled similar to normal image lines. The frame valid indication is asserted before the first black line and the line valid indication is asserted for every valid (black) pixel. |
| 0x1 | 0x0 | The frame valid indication is asserted before the first black line, but the line valid indication is not asserted for the black lines. The line valid indication indicates the valid image pixels only. This mode is useful when one does not use the black pixels and when the frame valid indication needs to be asserted some time before the first image lines (for example, to precondition ISP pipelines). |
| 0x0 | 0x1 | In this mode, the black pixel data is clearly unambiguously indicated by the line valid indication, while the decoding of the real image data is simplified. |
| 0x0 | 0x0 | Black lines are not indicated and frame and line valid strobes remain de-asserted. Note however that the data channels contains the black pixel data and CRC codes (Training patterns are interrupted). |

Data order for P2–SN/SE: CMOS Interface Version

To read out the image data through the parallel CMOS output, the pixel array is divided in kernels. The kernel size is eight pixels in x–direction by one pixel in y–direction. Figure 35 on page 40 indicates how the kernels are organized.

The data order of this image data on the data output channels depends on the subsampling mode.

• P2–SN/SE: No Subsampling

The image data is read out in kernels of eight pixels in x–direction by one pixel in y–direction.

Figure 47 shows the pixel sequence of a kernel which is read out over the single CMOS output channel. The pixel order is different for even and odd kernel positions.

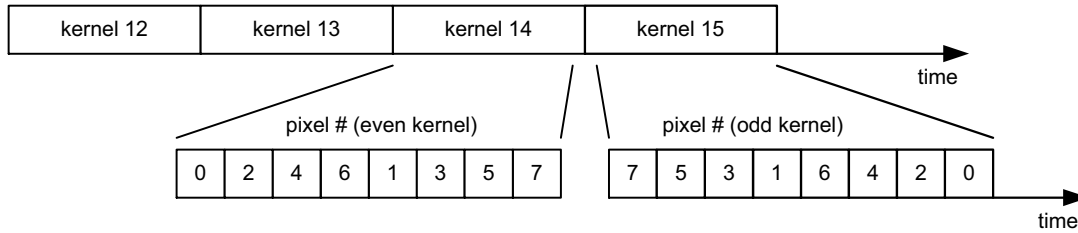


Figure 47. P2–SN/SE: Data Output Order without Subsampling

• P2–SN: Subsampling On Monochrome Sensor

To read out the image data with subsampling enabled on a monochrome sensor, two neighboring kernels are combined to a single kernel of 16 pixels in the x–direction and one pixel in the y–direction. Only the pixels at the even

pixel positions inside that kernel are read out. Figure 48 shows the data order

Note that there is no difference in data order for even/odd kernel numbers, as opposed to the ‘no–subsampling’ readout.

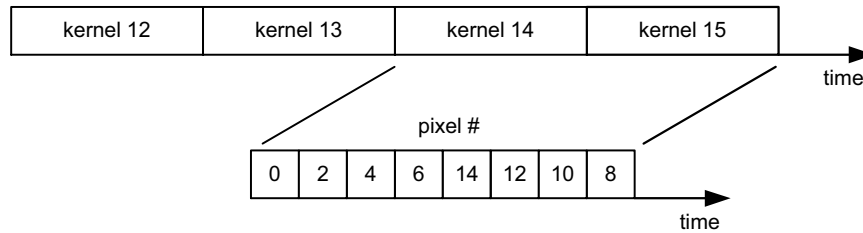


Figure 48. P2–SN: Data Output Order with Subsampling on a Monochrome Sensor

• P2–SE: Subsampling On Color Sensor

To read out the image data with subsampling enabled on a color sensor, two neighboring kernels are combined to a single kernel of 16 pixels in the x–direction and one pixel in

the y–direction. Only the pixels 0, 1, 4, 5, 8, 9, 12, and 13 are read out. Figure 49 shows the data order.

Note that there is no difference in data order for even/odd kernel numbers, as opposed to the ‘no–subsampling’ readout.

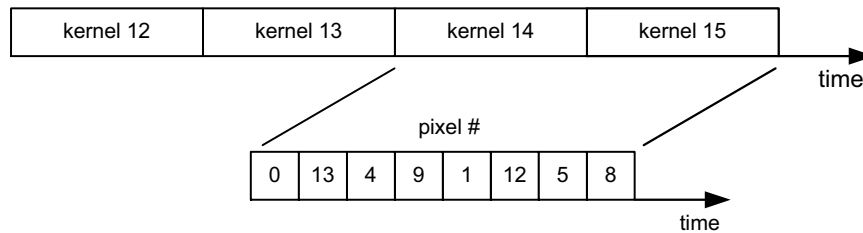


Figure 49. P2–SE: Data Output Order with Subsampling on a Color Sensor

NOIP1SN1300A

REGISTER MAP

The table below represents the register map for the NOIP1xx1300A part. Deviating default values for the NOIP1xx0500A and NOIP1xx0300A are mentioned between brackets (“[]”).

Table 28. REGISTER MAP

| Address Offset | Address | Bit Field | Register Name | Default (Hex) | Default | Description | Type |
|--|---------|-----------|---------------------|----------------------------|--------------------|---|--------|
| Chip ID [Block Offset: 0] | | | | | | | |
| 0 | 0 | | chip_id | 0x50D0 | 20688 | Chip ID | Status |
| | | [15:0] | id | 0x50D0 | 20688 | Chip ID | |
| 1 | 1 | | reserved | 0x0001 0x0201 0x0101 | 1 [513, 257] | Reserved | Status |
| | | [3:0] | reserved | 0x1 | 1 | Reserved | |
| | | [9:8] | resolution | 0x0 [0x2, 0x1] | 0 [2, 1] | Sensor Resolution 0x0: PYTHON1300, 0x1: PYTHON300 0x2: PYTHON500 | |
| | | [11:10] | reserved | 0x0 | 0 | Reserved | |
| 2 | 2 | | chip_configuration | 0x0000 | 0 | Chip General Configuration | RW |
| | | [0] | color | 0x0 | 0 | Color/Monochrome Configuration '0': Monochrome '1': Color | |
| | | [1] | parallel | 0x0 | 0 | LVDS/Parallel Mode Selector '0': LVDS '1': Parallel | |
| Reset Generator [Block Offset: 8] | | | | | | | |
| 0 | 8 | | soft_reset_pll | 0x0099 | 153 | PLL Soft Reset Configuration | RW |
| | | [3:0] | pll_soft_reset | 0x9 | 9 | PLL Reset 0x9: Soft Reset State others: Operational | |
| | | [7:4] | pll_lock_soft_reset | 0x9 | 9 | PLL Lock Detect Reset 0x9: Soft Reset State others: Operational | |
| 1 | 9 | | soft_reset_cgen | 0x0009 | 9 | Clock Generator Soft Reset | RW |
| | | [3:0] | cgen_soft_reset | 0x9 | 9 | Clock Generator Reset 0x9: Soft Reset State others: Operational | |
| 2 | 10 | | soft_reset_analog | 0x0999 | 2457 | Analog Block Soft Reset | RW |
| | | [3:0] | mux_soft_reset | 0x9 | 9 | Column MUX Reset 0x9: Soft Reset State others: Operational | |
| | | [7:4] | afe_soft_reset | 0x9 | 9 | AFE Reset 0x9: Soft Reset State others: Operational | |
| | | [11:8] | ser_soft_reset | 0x9 | 9 | Serializer Reset 0x9: Soft Reset State others: Operational | |
| PLL [Block Offset: 16] | | | | | | | |
| 0 | 16 | | power_down | 0x0004 | 4 | PLL Configuration | RW |
| | | [0] | pwd_n | 0x0 | 0 | PLL Power Down '0': Power Down, '1': Operational | |
| | | [1] | enable | 0x0 | 0 | PLL Enable '0': disabled, '1': enabled | |
| | | [2] | bypass | 0x1 | 1 | PLL Bypass '0': PLL Active, '1': PLL Bypassed | |

NOIP1SN1300A

Table 28. REGISTER MAP

| Address Offset | Address | Bit Field | Register Name | Default (Hex) | Default | Description | Type |
|----------------|---------|-----------|---------------|---------------|---------|-------------|------|
| 1 | 17 | | reserved | 0x2113 | 8467 | Reserved | RW |
| | | [7:0] | reserved | 0x13 | 19 | Reserved | |
| | | [12:8] | reserved | 0x1 | 1 | Reserved | |
| | | [14:13] | reserved | 0x1 | 1 | Reserved | |

I/O [Block Offset: 20]

| | | | | | | | |
|---|----|-------|----------------|--------|---|------------------------|----|
| 0 | 20 | | config1 | 0x0000 | 0 | IO Configuration | RW |
| | | [0] | clock_in_pwd_n | 0x0 | 0 | Power down Clock Input | |
| | | [9:8] | reserved | 0x0 | 0 | Reserved | |
| | | [10] | reserved | 0x0 | 0 | Reserved | |

PLL Lock Detector [Block Offset: 24]

| | | | | | | | |
|---|----|---------|----------|--------|-------|---------------------|--------|
| 0 | 24 | | pll_lock | 0x0000 | 0 | PLL Lock Indication | Status |
| | | [0] | lock | 0x0 | 0 | PLL Lock Indication | |
| 2 | 26 | | reserved | 0x2280 | 8832 | Reserved | RW |
| | | [7:0] | reserved | 0x80 | 128 | Reserved | |
| | | [10:8] | reserved | 0x2 | 2 | Reserved | |
| | | [14:12] | reserved | 0x2 | 2 | Reserved | |
| 3 | 27 | | reserved | 0x3D2D | 15661 | Reserved | RW |
| | | [7:0] | reserved | 0x2D | 45 | Reserved | |
| | | [15:8] | reserved | 0x3D | 61 | Reserved | |

Clock Generator [Block Offset: 32]

| | | | | | | | |
|---|----|---------|---------------|--------|---|--|----|
| 0 | 32 | | config0 | 0x0004 | 4 | Clock Generator Configuration | RW |
| | | [0] | enable_analog | 0x0 | 0 | Enable analogue clocks '0': disabled, '1': enabled | |
| | | [1] | enable_log | 0x0 | 0 | Enable logic clock '0': disabled, '1': enabled | |
| | | [2] | select_pll | 0x1 | 1 | Input Clock Selection '0': Select LVDS clock input, '1': Select PLL clock input | |
| | | [3] | adc_mode | 0x0 | 0 | Set operation mode of CGEN block '0': divide by 5 mode (10-bit mode), '1': divide by 4 mode (8-bit mode) | |
| | | [5:4] | mux | 0x0 | 0 | Multiplex Mode | |
| | | [11:8] | reserved | 0x0 | 0 | Reserved | |
| | | [14:12] | reserved | 0x0 | 0 | Reserved | |

General Logic [Block Offset: 34]

| | | | | | | | |
|---|----|-----|---------|--------|---|---|----|
| 0 | 34 | | config0 | 0x0000 | 0 | Clock Generator Configuration | RW |
| | | [0] | enable | 0x0 | 0 | Logic General Enable Configuration '0': Disable '1': Enable | |

Image Core [Block Offset: 40]

| | | | | | | | |
|---|----|-----|--------------------|--------|---|--|----|
| 0 | 40 | | image_core_config0 | 0x0000 | 0 | Image Core Configuration | RW |
| | | [0] | imc_pwd_n | 0x0 | 0 | Image Core Power Down '0': powered down, '1': powered up | |
| | | [1] | mux_pwd_n | 0x0 | 0 | Column Multiplexer Power Down '0': powered down, '1': powered up | |

NOIP1SN1300A

Table 28. REGISTER MAP

| Address Offset | Address | Bit Field | Register Name | Default (Hex) | Default | Description | Type |
|----------------|---------|-----------|--------------------|---------------|---------|--|------|
| | | [2] | colbias_enable | 0x0 | 0 | Bias Enable '0': disabled '1': enabled | |
| 1 | 41 | | image_core_config1 | 0x0B5A | 2906 | Image Core Configuration | RW |
| | | [3:0] | dac_ds | 0xA | 10 | Double Slope Reset Level | |
| | | [7:4] | dac_ts | 0x5 | 5 | Triple Slope Reset Level | |
| | | [10:8] | reserved | 0x3 | 3 | Reserved | |
| | | [12:11] | reserved | 0x1 | 1 | Reserved | |
| | | [13] | reserved | 0x0 | 0 | Reserved | |
| | | [14] | reserved | 0x0 | 0 | Reserved | |
| | | [15] | reserved | 0x0 | 0 | Reserved | |
| 2 | 42 | | reserved | 0x0001 | 1 | Reserved | RW |
| | | [0] | reserved | 0x1 | 1 | Reserved | |
| | | [1] | reserved | 0x0 | 0 | Reserved | |
| | | [6:4] | reserved | 0x0 | 0 | Reserved | |
| | | [10:8] | reserved | 0x0 | 0 | Reserved | |
| | | [15:12] | reserved | 0x0 | 0 | Reserved | |
| 3 | 43 | | reserved | 0x0000 | 0 | Reserved | RW |
| | | [0] | reserved | 0x0 | 0 | Reserved | |
| | | [1] | reserved | 0x0 | 0 | Reserved | |
| | | [2] | reserved | 0x0 | 0 | Reserved | |
| | | [3] | reserved | 0x0 | 0 | Reserved | |
| | | [6:4] | reserved | 0x0 | 0 | Reserved | |
| | | [15:7] | reserved | 0x0 | 0 | Reserved | |

AFE [Block Offset: 48]

| | | | | | | | |
|---|----|-----|------------|--------|---|---|----|
| 0 | 48 | | power_down | 0x0000 | 0 | AFE Configuration | RW |
| | | [0] | pwd_n | 0x0 | 0 | Power down for AFE's '0': powered down, '1': powered up | |

Bias [Block Offset: 64]

| | | | | | | | |
|---|----|---------|-------------------|--------|-------|--|----|
| 0 | 64 | | power_down | 0x0000 | 0 | Bias Power Down Configuration | RW |
| | | [0] | pwd_n | 0x0 | 0 | Power down bandgap '0': powered down, '1': powered up | |
| 1 | 65 | | configuration | 0x888B | 34955 | Bias Configuration | RW |
| | | [0] | extres | 0x1 | 1 | External Resistor Selection '0': internal resistor, '1': external resistor | |
| | | [3:1] | reserved | 0x5 | 5 | Reserved | |
| | | [7:4] | imc_colpc_ibias | 0x8 | 8 | Column Precharge ibias Configuration | |
| | | [11:8] | imc_colbias_ibias | 0x8 | 8 | Column Bias ibias Configuration | |
| | | [15:12] | cp_ibias | 0x8 | 8 | Charge Pump Bias | |
| 2 | 66 | | afe_bias | 0x53C8 | 21448 | AFE Bias Configuration | RW |
| | | [3:0] | afe_ibias | 0x8 | 8 | AFE ibias Configuration | |
| | | [7:4] | afe_adc_iref | 0xC | 12 | ADC iref Configuration | |
| | | [14:8] | afe_pga_iref | 0x53 | 83 | PGA iref Configuration | |
| 3 | 67 | | mux_bias | 0x8888 | 34952 | Column Multiplexer Bias Configuration | RW |
| | | [3:0] | mux_25u_stage1 | 0x8 | 8 | Column Multiplexer Stage 1 Bias Configuration | |

NOIP1SN1300A

Table 28. REGISTER MAP

| Address Offset | Address | Bit Field | Register Name | Default (Hex) | Default | Description | Type |
|----------------|---------|-----------|-------------------|---------------|---------|---|------|
| | | [7:4] | mux_25u_stage2 | 0x8 | 8 | Column Multiplexer Stage 2 Bias Configuration | |
| | | [11:8] | mux_25u_delay | 0x8 | 8 | Column Multiplexer Delay Bias Configuration | |
| | | [15:12] | reserved | 0x8 | 8 | Reserved | |
| 4 | 68 | | lvds_bias | 0x0088 | 136 | LVDS Bias Configuration | RW |
| | | [3:0] | lvds_ibias | 0x8 | 8 | LVDS Ibias | |
| | | [7:4] | lvds_iref | 0x8 | 8 | LVDS Iref | |
| 5 | 69 | | adc_bias | 0x0088 | 136 | LVDS Bias Configuration | RW |
| | | [3:0] | imc_vsfdmed_ibias | 0x8 | 8 | VSFD Medium Bias | |
| | | [7:4] | adc_ref_ibias | 0x8 | 8 | ADC Reference Bias | |
| 6 | 70 | | reserved | 0x8888 | 34952 | Reserved | RW |
| | | [3:0] | reserved | 0x8 | 8 | Reserved | |
| | | [7:4] | reserved | 0x8 | 8 | Reserved | |
| | | [11:8] | reserved | 0x8 | 8 | Reserved | |
| | | [15:12] | reserved | 0x8 | 8 | Reserved | |
| 7 | 71 | | reserved | 0x8888 | 34952 | Reserved | RW |
| | | [15:0] | reserved | 0x8888 | 34952 | Reserved | |

Charge Pump [Block Offset: 72]

| | | | | | | | |
|---|----|---------|-------------------|--------|------|---|----|
| 0 | 72 | | configuration | 0x2220 | 8736 | Charge Pump Configuration | RW |
| | | [0] | trans_pwd_n | 0x0 | 0 | PD Trans Charge Pump Enable '0': disabled, '1': enabled | |
| | | [1] | resfd_calib_pwd_n | 0x0 | 0 | FD Charge Pump Enable '0': disabled, '1': enabled | |
| | | [2] | sel_sample_pwd_n | 0x0 | 0 | Select/Sample Charge Pump Enable '0': disabled '1': enabled | |
| | | [6:4] | trans_trim | 0x2 | 2 | PD Trans Charge Pump Trim | |
| | | [10:8] | resfd_calib_trim | 0x2 | 2 | FD Charge Pump Trim | |
| | | [14:12] | sel_sample_trim | 0x2 | 2 | Select/Sample Charge Pump Trim | |

Charge Pump [Block Offset: 80]

| | | | | | | | |
|---|----|--------|----------|--------|-------|----------|----|
| | | | reserved | | | Reserved | |
| 0 | 80 | | reserved | 0x0000 | 0 | Reserved | RW |
| | | [1:0] | reserved | 0x0 | 0 | Reserved | |
| | | [3:2] | reserved | 0x0 | 0 | Reserved | |
| | | [5:4] | reserved | 0x0 | 0 | Reserved | |
| | | [7:6] | reserved | 0x0 | 0 | Reserved | |
| | | [9:8] | reserved | 0x0 | 0 | Reserved | |
| 1 | 81 | | reserved | 0x8881 | 34945 | Reserved | RW |
| | | [15:0] | reserved | 0x8881 | 34945 | Reserved | |

Temperature Sensor [Block Offset: 96]

| | | | | | | | |
|---|----|-----|----------|--------|---|--|----|
| 0 | 96 | | enable | 0x0000 | 0 | Temperature Sensor Configuration | RW |
| | | [0] | enable | 0x0 | 0 | Temperature Diode Enable '0': disabled, '1': enabled | |
| | | [1] | reserved | 0x0 | 0 | Reserved | |
| | | [2] | reserved | 0x0 | 0 | Reserved | |

NOIP1SN1300A

Table 28. REGISTER MAP

| Address Offset | Address | Bit Field | Register Name | Default (Hex) | Default | Description | Type |
|----------------|---------|-----------|---------------|---------------|---------|-----------------------------|--------|
| | | [3] | reserved | 0x0 | 0 | Reserved | |
| | | [4] | reserved | 0x0 | 0 | Reserved | |
| | | [5] | reserved | 0x0 | 0 | Reserved | |
| | | [13:8] | offset | 0x0 | 0 | Temperature Offset (signed) | |
| 1 | 97 | | temp | 0x0000 | 0 | Temperature Sensor Status | Status |
| | | [7:0] | temp | 0x00 | 0 | Temperature Readout | |

Reserved [Block Offset: 104]

| | | | | | | | |
|---|-----|---------|----------|--------|---|----------|--------|
| | | | reserved | | | Reserved | |
| 0 | 104 | | reserved | 0x0000 | 0 | Reserved | RW |
| | | [15:0] | reserved | 0x0 | 0 | Reserved | |
| 1 | 105 | | reserved | 0x0000 | 0 | Reserved | RW |
| | | [1:0] | reserved | 0x0 | 0 | Reserved | |
| | | [6:2] | reserved | 0x0 | 0 | Reserved | |
| | | [7] | reserved | 0x0 | 0 | Reserved | |
| | | [9:8] | reserved | 0x0 | 0 | Reserved | |
| | | [14:10] | reserved | 0x0 | 0 | Reserved | |
| | | [15] | reserved | 0x0 | 0 | Reserved | |
| 2 | 106 | | reserved | 0x0000 | 0 | Reserved | Status |
| | | [15:0] | reserved | 0x0000 | 0 | Reserved | |
| 3 | 107 | | reserved | 0x0000 | 0 | Reserved | Status |
| | | [15:0] | reserved | 0x0000 | 0 | Reserved | |
| 4 | 108 | | reserved | 0x0000 | 0 | Reserved | Status |
| | | [15:0] | reserved | 0x0000 | 0 | Reserved | |
| 5 | 109 | | reserved | 0x0000 | 0 | Reserved | Status |
| | | [15:0] | reserved | 0x0000 | 0 | Reserved | |
| 6 | 110 | | reserved | 0x0000 | 0 | Reserved | Status |
| | | [15:0] | reserved | 0x0000 | 0 | Reserved | |
| 7 | 111 | | reserved | 0x0000 | 0 | Reserved | Status |
| | | [15:0] | reserved | 0x0000 | 0 | Reserved | |

Serializers/LVDS/IO [Block Offset: 112]

| | | | | | | | |
|---|-----|-----|-----------------|--------|---|--|----|
| 0 | 112 | | power_down | 0x0000 | 0 | LVDS Power Down Configuration | RW |
| | | [0] | clock_out_pwd_n | 0x0 | 0 | Power down for Clock Output. '0': powered down, '1': powered up | |
| | | [1] | sync_pwd_n | 0x0 | 0 | Power down for Sync channel '0': powered down, '1': powered up | |
| | | [2] | data_pwd_n | 0x0 | 0 | Power down for data channels (4 channels) '0': powered down, '1': powered up | |

Sync Words [Block Offset: 116]

| | | | | | | | |
|---|-----|-------|-----------------|--------|-----|---|----|
| 4 | 116 | | trainingpattern | 0x03A6 | 934 | Data Formating - Training Pattern | RW |
| | | [9:0] | trainingpattern | 0x3A6 | 934 | Training pattern sent on Data channels during idle mode. This data is used to perform word alignment on the LVDS data channels. | |
| 5 | 117 | | sync_code0 | 0x002A | 42 | LVDS Power Down Configuration | RW |
| | | [6:0] | frame_sync_0 | 0x02A | 42 | Frame Sync Code LSBs - Even kernels | |

NOIP1SN1300A

Table 28. REGISTER MAP

| Address Offset | Address | Bit Field | Register Name | Default (Hex) | Default | Description | Type |
|----------------|---------|-----------|---------------|---------------|---------|---|------|
| 6 | 118 | | sync_code1 | 0x0015 | 21 | Data Formatting - BL Indication | RW |
| | | [9:0] | bl_0 | 0x015 | 21 | Black Pixel Identification Sync Code - Even kernels | |
| 7 | 119 | | sync_code2 | 0x0035 | 53 | Data Formatting - IMG Indication | RW |
| | | [9:0] | img_0 | 0x035 | 53 | Valid Pixel Identification Sync Code - Even kernels | |
| 8 | 120 | | sync_code3 | 0x0025 | 37 | Data Formatting - IMG Indication | RW |
| | | [9:0] | ref_0 | 0x025 | 37 | Reference Pixel Identification Sync Code - Even kernels | |
| 9 | 121 | | sync_code4 | 0x002A | 42 | LVDS Power Down Configuration | RW |
| | | [6:0] | frame_sync_1 | 0x02A | 42 | Frame Sync Code LSBs - Odd kernels | |
| 10 | 122 | | sync_code5 | 0x0015 | 21 | Data Formatting - BL Indication | RW |
| | | [9:0] | bl_1 | 0x015 | 21 | Black Pixel Identification Sync Code - Odd kernels | |
| 11 | 123 | | sync_code6 | 0x0035 | 53 | Data Formatting - IMG Indication | RW |
| | | [9:0] | img_1 | 0x035 | 53 | Valid Pixel Identification Sync Code - Odd kernels | |
| 12 | 124 | | sync_code7 | 0x0025 | 37 | Data Formatting - IMG Indication | RW |
| | | [9:0] | ref_1 | 0x025 | 37 | Reference Pixel Identification Sync Code - Odd kernels | |
| 13 | 125 | | sync_code8 | 0x0059 | 89 | Data Formatting - CRC Indication | RW |
| | | [9:0] | crc | 0x059 | 89 | CRC Value Identification Sync Code | |
| 14 | 126 | | sync_code9 | 0x03A6 | 934 | Data Formatting - TR Indication | RW |
| | | [9:0] | tr | 0x3A6 | 934 | Training Value Identification Sync Code | |

Data Block [Block Offset: 128]

| | | | | | | | |
|---|-----|---------|-----------------------|--------|-------|--|----|
| 0 | 128 | | blackcal | 0x4008 | 16392 | Black Calibration Configuration | RW |
| | | [7:0] | black_offset | 0x08 | 8 | Desired black level at output | |
| | | [10:8] | black_samples | 0x0 | 0 | Black pixels taken into account for black calibration. Total samples = 2**black_samples | |
| | | [14:11] | reserved | 0x8 | 8 | Reserved | |
| | | [15] | crc_seed | 0x0 | 0 | CRC Seed '0': All-0 '1': All-1 | |
| 1 | 129 | | general_configuration | 0x0001 | 1 | Black Calibration and Data Formatting Configuration | RW |
| | | [0] | auto_blackcal_enable | 0x1 | 1 | Automatic blackcalibration is enabled when 1, bypassed when 0 | |
| | | [9:1] | blackcal_offset | 0x00 | 0 | Black Calibration offset used when auto_black_cal_en = '0'. | |
| | | [10] | blackcal_offset_dec | 0x0 | 0 | blackcal_offset is added when 0, subtracted when 1 | |
| | | [11] | reserved | 0x0 | 0 | Reserved | |
| | | [12] | reserved | 0x0 | 0 | Reserved | |
| | | [13] | 8bit_mode | 0x0 | 0 | Shifts window ID indications by 4 cycles. '0': 10 bit mode, '1': 8 bit mode | |
| | | [14] | ref_mode | 0x0 | 0 | Data contained on reference lines: '0': reference pixels '1': black average for the corresponding data channel | |
| | | [15] | ref_bcal_enable | 0x0 | 0 | Enable black calibration on reference lines '0': Disabled '1': Enabled | |

NOIP1SN1300A

Table 28. REGISTER MAP

| Address Offset | Address | Bit Field | Register Name | Default (Hex) | Default | Description | Type |
|----------------|---------|-----------|------------------------|---------------|---------|--|--------|
| 2 | 130 | | trainingpattern | 0x000F | 15 | Data Formating - Training Pattern | RW |
| | | [0] | bl_frame_valid_enable | 0x1 | 1 | Assert frame_valid for black lines when '1', gate frame_valid for black lines when '0'. Parallel output mode only. | |
| | | [1] | bl_line_valid_enable | 0x1 | 1 | Assert line_valid for black lines when '1', gate line_valid for black lines when '0'. Parallel output mode only. | |
| | | [2] | ref_frame_valid_enable | 0x1 | 1 | Assert frame_valid for ref lines when '1', gate frame_valid for black lines when '0'. Parallel output mode only. | |
| | | [3] | ref_line_valid_enable | 0x1 | 1 | Assert line_valid for ref lines when '1', gate line_valid for black lines when '0'. Parallel output mode only. | |
| | | [4] | frame_valid_mode | 0x0 | 0 | Behaviour of frame_valid strobe between overhead lines when [0] and/or [1] is deasserted: '0': retain frame_valid deasserted between lines '1': assert frame_valid between lines | |
| | | [8] | reserved | 0x0 | 0 | Reserved | |
| 8 | 136 | | blackcal_error0 | 0x0000 | 0 | Black Calibration Status | Status |
| | | [15:0] | blackcal_error[15:0] | 0x0000 | 0 | Black Calibration Error. This flag is set when not enough black samples are available. Black Calibration shall not be valid. Channels 0-16 (channels 0-7 for PYTHON1300) | |
| 9 | 137 | | reserved | 0x0000 | 0 | Reserved | Status |
| | | [15:0] | reserved | 0x0000 | 0 | Reserved | |
| 10 | 138 | | reserved | 0x0000 | 0 | Reserved | Status |
| | | [15:0] | reserved | 0x0000 | 0 | Reserved | |
| 11 | 139 | | reserved | 0x0000 | 0 | Reserved | Status |
| | | [15:0] | reserved | 0x0000 | 0 | Reserved | |
| 12 | 140 | | reserved | 0x0000 | 0 | Reserved | RW |
| | | [15:0] | reserved | 0x0000 | 0 | Reserved | |
| 13 | 141 | | reserved | 0xFFFF | 65535 | Reserved | RW |
| | | [15:0] | reserved | 0xFFFF | 65535 | Reserved | |
| 16 | 144 | | test_configuration | 0x0000 | 0 | Data Formating Test Configuration | RW |
| | | [0] | testpattern_en | 0x0 | 0 | Insert synthesized testpattern when '1' | |
| | | [1] | inc_testpattern | 0x0 | 0 | Incrementing testpattern when '1', constant testpattern when '0' | |
| | | [2] | prbs_en | 0x0 | 0 | Insert PRBS when '1' | |
| | | [3] | frame_testpattern | 0x0 | 0 | Frame test patterns when '1', unframed test-patterns when '0' | |
| | | [4] | reserved | 0x0 | 0 | Reserved | |
| 17 | 145 | | reserved | 0x0000 | 0 | Reserved | RW |
| | | [15:0] | reserved | | | Reserved | |
| 18 | 146 | | test_configuration0 | 0x0100 | 256 | Data Formating Test Configuration | RW |
| | | [7:0] | testpattern0_lsb | 0x00 | 0 | Testpattern used on datapath #0 when testpattern_en = '1'. Note: Most significant bits are configured in register 150. | |
| | | [15:8] | testpattern1_lsb | 0x01 | 1 | Testpattern used on datapath #1 when testpattern_en = '1'. Note: Most significant bits are configured in register 150. | |

NOIP1SN1300A

Table 28. REGISTER MAP

| Address Offset | Address | Bit Field | Register Name | Default (Hex) | Default | Description | Type |
|----------------|---------|-----------|----------------------|---------------|---------|---|------|
| 19 | 147 | | test_configuration1 | 0x0302 | 770 | Data Formating Test Configuration | RW |
| | | [7:0] | testpattern2_lsb | 0x02 | 2 | Testpattern used on datapath #2 when testpattern_en = '1'. Note: Most significant bits are configured in register 150. | |
| | | [15:8] | testpattern3_lsb | 0x03 | 3 | Testpattern used on datapath #3 when testpattern_en = '1'. Note: Most significant bits are configured in register 150. | |
| 20 | 148 | | reserved | 0x0504 | 1284 | Reserved | RW |
| | | [7:0] | reserved | 0x04 | 4 | Reserved | |
| | | [15:8] | reserved | 0x05 | 5 | Reserved | |
| 21 | 149 | | reserved | 0x0706 | 1798 | Reserved | RW |
| | | [7:0] | reserved | 0x06 | 6 | Reserved | |
| | | [15:8] | reserved | 0x07 | 7 | Reserved | |
| 22 | 150 | | test_configuration16 | 0x0000 | 0 | Data Formating Test Configuration | RW |
| | | [1:0] | testpattern0_msb | 0x0 | 0 | Testpattern used when testpattern_en = '1' | |
| | | [3:2] | testpattern1_msb | 0x0 | 0 | Testpattern used when testpattern_en = '1' | |
| | | [5:4] | testpattern2_msb | 0x0 | 0 | Testpattern used when testpattern_en = '1' | |
| | | [7:6] | testpattern3_msb | 0x0 | 0 | Testpattern used when testpattern_en = '1' | |
| | | [9:8] | reserved | 0x0 | 0 | Reserved | |
| | | [11:10] | reserved | 0x0 | 0 | Reserved | |
| | | [13:12] | reserved | 0x0 | 0 | Reserved | |
| | | [15:14] | reserved | 0x0 | 0 | Reserved | |
| 26 | 154 | | reserved | 0x0000 | 0 | Reserved | RW |
| | | [15:0] | reserved | 0x0000 | 0 | Reserved | |
| 27 | 155 | | reserved | 0x0000 | 0 | Reserved | RW |
| | | [15:0] | reserved | 0x0000 | 0 | Reserved | |

AEC [Block Offset: 160]

| | | | | | | | |
|---|-----|---------|---------------------|--------|-------|---|----|
| 0 | 160 | | configuration | 0x0010 | 16 | AEC Configuration | RW |
| | | [0] | enable | 0x0 | 0 | AEC Enable | |
| | | [1] | restart_filter | 0x0 | 0 | Restart AEC filter | |
| | | [2] | freeze | 0x0 | 0 | Freeze AEC filter and enforcer gains | |
| | | [3] | pixel_valid | 0x0 | 0 | Use every pixel from channel when 0, every 4th pixel when 1 | |
| | | [4] | amp_pri | 0x1 | 1 | Column amplifier gets higher priority than AFE PGA in gain distribution if 1. Vice versa if 0 | |
| 1 | 161 | | intensity | 0x60B8 | 24760 | AEC Configuration | RW |
| | | [9:0] | desired_intensity | 0xB8 | 184 | Target average intensity | |
| | | [15:10] | reserved | 0x018 | 24 | Reserved | |
| 2 | 162 | | red_scale_factor | 0x0080 | 128 | Red Scale Factor | RW |
| | | [9:0] | red_scale_factor | 0x80 | 128 | Red Scale Factor 3.7 unsigned | |
| 3 | 163 | | green1_scale_factor | 0x0080 | 128 | Green1 Scale Factor | RW |
| | | [9:0] | green1_scale_factor | 0x80 | 128 | Green1 Scale Factor 3.7 unsigned | |
| 4 | 164 | | green2_scale_factor | 0x0080 | 128 | Green2 Scale Factor | RW |
| | | [9:0] | green2_scale_factor | 0x80 | 128 | Green2 Scale Factor 3.7 unsigned | |

NOIP1SN1300A

Table 28. REGISTER MAP

| Address Offset | Address | Bit Field | Register Name | Default (Hex) | Default | Description | Type |
|----------------|---------|-----------|-------------------|---------------|---------|--------------------------------------|------|
| 5 | 165 | | blue_scale_factor | 0x0080 | 128 | Blue Scale Factor | RW |
| | | [9:0] | blue_scale_factor | 0x80 | 128 | Blue Scale Factor 3.7 unsigned | |
| 6 | 166 | | reserved | 0x03FF | 1023 | Reserved | RW |
| | | [15:0] | reserved | 0x03FF | 1023 | Reserved | |
| 7 | 167 | | reserved | 0x0080 | 2048 | Reserved | RW |
| | | [1:0] | reserved | 0x0 | 0 | Reserved | |
| | | [3:2] | reserved | 0x0 | 0 | Reserved | |
| | | [15:4] | reserved | 0x080 | 128 | Reserved | |
| 8 | 168 | | min_exposure | 0x0001 | 1 | Minimum Exposure Time | RW |
| | | [15:0] | min_exposure | 0x0001 | 1 | Minimum Exposure Time | |
| 9 | 169 | | min_gain | 0x0800 | 2048 | Minimum Gain | RW |
| | | [1:0] | min_mux_gain | 0x0 | 0 | Minimum Column Amplifier Gain | |
| | | [3:2] | min_afe_gain | 0x0 | 0 | Minimum AFE PGA Gain | |
| | | [15:4] | min_digital_gain | 0x080 | 128 | Minimum Digital Gain 5.7 unsigned | |
| 10 | 170 | | max_exposure | 0x03FF | 1023 | Maximum Exposure Time | RW |
| | | [15:0] | max_exposure | 0x03FF | 1023 | Maximum Exposure Time | |
| 11 | 171 | | max_gain | 0x100D | 4109 | Maximum Gain | RW |
| | | [1:0] | max_mux_gain | 0x1 | 1 | Maximum Column Amplifier Gain | |
| | | [3:2] | max_afe_gain | 0x3 | 3 | Maximum AFE PGA Gain | |
| | | [15:4] | max_digital_gain | 0x100 | 256 | Maximum Digital Gain 5.7 unsigned | |
| 12 | 172 | | reserved | 0x0083 | 131 | Reserved | RW |
| | | [7:0] | reserved | 0x083 | 131 | Reserved | |
| | | [13:8] | reserved | 0x00 | 0 | Reserved | |
| | | [15:14] | reserved | 0x0 | 0 | Reserved | |
| 13 | 173 | | reserved | 0x2824 | 10276 | Reserved | RW |
| | | [7:0] | reserved | 0x024 | 36 | Reserved | |
| | | [15:8] | reserved | 0x028 | 40 | Reserved | |
| 14 | 174 | | reserved | 0x2A96 | 10902 | Reserved | RW |
| | | [3:0] | reserved | 0x6 | 6 | Reserved | |
| | | [7:4] | reserved | 0x9 | 9 | Reserved | |
| | | [11:8] | reserved | 0xA | 10 | Reserved | |
| | | [15:12] | reserved | 0x2 | 2 | Reserved | |
| 15 | 175 | | reserved | 0x0080 | 128 | Reserved | RW |
| | | [9:0] | reserved | 0x080 | 128 | Reserved | |
| 16 | 176 | | reserved | 0x0100 | 256 | Reserved | RW |
| | | [9:0] | reserved | 0x100 | 256 | Reserved | |
| 17 | 177 | | reserved | 0x0100 | 256 | Reserved | RW |
| | | [9:0] | reserved | 0x100 | 256 | Reserved | |
| 18 | 178 | | reserved | 0x0080 | 128 | Reserved | RW |
| | | [9:0] | reserved | 0x080 | 128 | Reserved | |
| 19 | 179 | | reserved | 0x00AA | 170 | Reserved | RW |
| | | [9:0] | reserved | 0x0AA | 170 | Reserved | |

NOIP1SN1300A

Table 28. REGISTER MAP

| Address Offset | Address | Bit Field | Register Name | Default (Hex) | Default | Description | Type |
|----------------|---------|-----------|---------------------|---------------|---------|---|--------|
| 20 | 180 | | reserved | 0x0100 | 256 | Reserved | RW |
| | | [9:0] | reserved | 0x100 | 256 | Reserved | |
| 21 | 181 | | reserved | 0x0155 | 341 | Reserved | RW |
| | | [9:0] | reserved | 0x155 | 341 | Reserved | |
| 24 | 184 | | total_pixels0 | 0x0000 | 0 | AEC Status | Status |
| | | [15:0] | total_pixels[15:0] | 0x0000 | 0 | Total number of pixels sampled for Average, LSB | |
| 25 | 185 | | total_pixels1 | 0x0000 | 0 | AEC Status | Status |
| | | [7:0] | total_pixels[23:16] | 0x0 | 0 | Total number of pixels sampled for Average, MSB | |
| 26 | 186 | | average_status | 0x0000 | 0 | ASE Status | Status |
| | | [9:0] | average | 0x000 | 0 | AEC Average Status | |
| | | [12] | avg_locked | 0x0 | 0 | AEC Average Lock Status | |
| 27 | 187 | | exposure_status | 0x0000 | 0 | ASE Status | Status |
| | | [15:0] | exposure | 0x0000 | 0 | AEC Exposure Status | |
| 28 | 188 | | gain_status | 0x0000 | 0 | ASE Status | Status |
| | | [1:0] | mux_gain | 0x0 | 0 | AEC MUX Gain Status | |
| | | [3:2] | afe_gain | 0x0 | 0 | AEC AFE Gain Status | |
| | | [15:4] | digital_gain | 0x000 | 0 | AEC Digital Gain Status 5.7 unsigned | |
| 29 | 189 | | reserved | 0x0000 | 0 | Reserved | Status |
| | | [12:0] | reserved | 0x000 | 0 | Reserved | |
| | | [13] | reserved | 0x0 | 0 | Reserved | |

Sequencer [Block Offset: 192]

| | | | | | | | |
|---|-----|---------|------------------------|--------|---|--|----|
| 0 | 192 | | general_configuration | 0x0000 | 0 | Sequencer General Configuration | RW |
| | | [0] | enable | 0x0 | 0 | Enable sequencer '0': Idle, '1': enabled | |
| | | [1] | operation selection | 0x0 | 0 | '0': Global Shutter | |
| | | [2] | zero_rot_enable | 0x0 | 0 | Zero ROT mode Selection. '0': Normal ROT, '1': Zero ROT' | |
| | | [3] | reserved | 0x0 | 0 | Reserved | |
| | | [4] | triggered_mode | 0x0 | 0 | Triggered Mode Selection '0': Normal Mode, '1': Triggered Mode | |
| | | [5] | slave_mode | 0x0 | 0 | Master/Slave Selection '0': master, '1': slave | |
| | | [6] | nzrot_xsm_delay_enable | 0x0 | 0 | Insert delay between end of ROT and start of readout in normal ROT readout mode if '1'. ROT delay is defined by register xsm_delay | |
| | | [7] | subsampling | 0x0 | 0 | Subsampling mode selection '0': no subsampling, '1': subsampling | |
| | | [8] | binning | 0x0 | 0 | Binning mode selection '0': no binning, '1': binning | |
| | | [10] | roi_aec_enable | 0x0 | 0 | Enable windowing for AEC Statistics. '0': Subsample all windows '1': Subsample configured window | |
| | | [13:11] | monitor_select | 0x0 | 0 | Control of the monitor pins | |
| | | [14] | reserved | 0x0 | 0 | Reserved | |

NOIP1SN1300A

Table 28. REGISTER MAP

| Address Offset | Address | Bit Field | Register Name | Default (Hex) | Default | Description | Type |
|----------------|---------|-----------|---------------------|---------------|---------|---|------|
| | | [15] | reserved | 0x0 | 0 | Reserved | |
| 1 | 193 | | delay_configuration | 0x0000 | 0 | Sequencer Delay Configuration | RW |
| | | [7:0] | reserved | 0x00 | 0 | Reserved | |
| | | [15:8] | xsm_delay | 0x00 | 0 | Delay between ROT start and X-readout (Zero ROT mode) Delay between ROT end and X-readout (Normal ROT mode with nzrot_xsm_delay_enable='1') | |
| 2 | 194 | | integration_control | 0x00E4 | 228 | Integration Control | RW |
| | | [0] | dual_slope_enable | 0x0 | 0 | Enable Dual Slope | |
| | | [1] | triple_slope_enable | 0x0 | 0 | Enable Triple Slope | |
| | | [2] | fr_mode | 0x1 | 1 | Representation of fr_length. '0': reset length '1': frame length | |
| | | [4] | int_priority | 0x0 | 0 | Integration Priority '0': Frame readout has priority over integration '1': Integration End has priority over frame readout | |
| | | [5] | halt_mode | 0x1 | 1 | The current frame will be completed when the sequencer is disabled and halt_mode = '1'. When '0', the sensor stops immediately when disabled, without finishing the current frame. | |
| | | [6] | fss_enable | 0x1 | 1 | Generation of Frame Sequence Start Sync code (FSS) '0': No generation of FSS '1': Generation of FSS | |
| | | [7] | fse_enable | 0x1 | 1 | Generation of Frame Sequence End Sync code (FSE) '0': No generation of FSE '1': Generation of FSE | |
| | | [8] | reverse_y | 0x0 | 0 | Reverse readout '0': bottom to top readout '1': top to bottom readout | |
| | | [9] | reserved | 0x0 | 0 | Reserved | |
| | | [11:10] | subsampling_mode | 0x0 | 0 | Subsampling mode "00": Subsampling in x and y (VITA compatible) "01": Subsampling in x, not y "10": Subsampling in y, not x "11": Subsampling in x and y | |
| | | [13:12] | binning_mode | 0x0 | 0 | Binning mode "00": Binning in x and y (VITA compatible) "01": Binning in x, not y "10": Binning in y, not x "11": Binning in x and y | |
| | | [14] | reserved | 0x0 | 0 | Reserved | |
| | | [15] | reserved | 0x0 | 0 | Reserved | |
| 3 | 195 | | roi_active0_0 | 0x0001 | 1 | Active ROI Selection | RW |
| | | [7:0] | roi_active0[7:0] | 0x01 | 1 | Active ROI Selection [0] Roi0 Active [1] Roi1 Active ... [7] Roi7 Active | |
| 4 | 196 | | reserved | 0x0000 | 0 | Reserved | RW |
| | | [15:0] | reserved | 0x0000 | 0 | Reserved | |
| 5 | 197 | | black_lines | 0x0102 | 258 | Black Line Configuration | RW |
| | | [7:0] | black_lines | 0x02 | 2 | Number of black lines. Minimum is 1. Range 1-255 | |

NOIP1SN1300A

Table 28. REGISTER MAP

| Address Offset | Address | Bit Field | Register Name | Default (Hex) | Default | Description | Type |
|----------------|---------|-----------|-----------------------------|---------------|---------|--|------|
| | | [12:8] | gate_first_line | 0x1 | 1 | Blank out first lines 0: no blank 1-31: blank 1-31 lines | |
| 6 | 198 | | reserved | 0x0000 | 0 | Reserved | RW |
| | | [11:0] | reserved | 0x000 | 0 | Reserved | |
| 7 | 199 | | mult_timer0 | 0x0001 | 1 | Exposure/Frame Rate Configuration | RW |
| | | [15:0] | mult_timer0 | 0x0001 | 1 | Mult Timer Defines granularity (unit = 1/PLL clock) of exposure and reset_length | |
| 8 | 200 | | fr_length0 | 0x0000 | 0 | Exposure/Frame Rate Configuration | RW |
| | | [15:0] | fr_length0 | 0x0000 | 0 | Frame/Reset length Reset length when fr_mode = '0', Frame Length when fr_mode = '1' Granularity defined by mult_timer | |
| 9 | 201 | | exposure0 | 0x0000 | 0 | Exposure/Frame Rate Configuration | RW |
| | | [15:0] | exposure0 | 0x0000 | 0 | Exposure Time Granularity defined by mult_timer | |
| 10 | 202 | | exposure_ds0 | 0x0000 | 0 | Exposure/Frame Rate Configuration | RW |
| | | [15:0] | exposure_ds0 | 0x0000 | 0 | Exposure Time (Dual Slope) Granularity defined by mult_timer | |
| 11 | 203 | | exposure_ts0 | 0x0000 | 0 | Exposure/Frame Rate Configuration | RW |
| | | [15:0] | exposure_ts0 | 0x0000 | 0 | Exposure Time (Triple Slope) Granularity defined by mult_timer | |
| 12 | 204 | | gain_configuration0 | 0x01E3 | 483 | Gain Configuration | RW |
| | | [4:0] | mux_gainsw0 | 0x03 | 3 | Column Gain Setting | |
| | | [12:5] | afe_gain0 | 0xF | 15 | AFE Programmable Gain Setting | |
| | | [13] | gain_lat_comp | 0x0 | 0 | Postpone gain update by 1 frame when '1' to compensate for exposure time updates latency. Gain is applied at start of next frame if '0' | |
| 13 | 205 | | digital_gain_configuration0 | 0x0080 | 128 | Gain Configuration | RW |
| | | [11:0] | db_gain0 | 0x080 | 128 | Digital Gain | |
| 14 | 206 | | sync_configuration | 0x037F | 895 | Synchronization Configuration | RW |
| | | [0] | sync_rs_x_length | 0x1 | 1 | Update of rs_x_length will not be sync'ed at start of frame when '0' | |
| | | [1] | sync_black_lines | 0x1 | 1 | Update of black_lines will not be sync'ed at start of frame when '0' | |
| | | [2] | sync_dummy_lines | 0x1 | 1 | Update of dummy_lines will not be sync'ed at start of frame when '0' | |
| | | [3] | sync_exposure | 0x1 | 1 | Update of exposure will not be sync'ed at start of frame when '0' | |
| | | [4] | sync_gain | 0x1 | 1 | Update of gain settings (gain_sw, afe_gain) will not be sync'ed at start of frame when '0' | |
| | | [5] | sync_roi | 0x1 | 1 | Update of roi updates (active_roi) will not be sync'ed at start of frame when '0' | |
| | | [6] | sync_ref_lines | 0x1 | 1 | Update of ref_lines will not be sync'ed at start of frame when '0' | |
| | | [8] | blank_roi_switch | 0x1 | 1 | Blank first frame after ROI switching | |
| | | [9] | blank_subsampling_ss | 0x1 | 1 | Blank first frame after subsampling/binning mode. | |

NOIP1SN1300A

Table 28. REGISTER MAP

| Address Offset | Address | Bit Field | Register Name | Default (Hex) | Default | Description | Type |
|----------------|---------|-----------|--------------------|---------------|---------|---|------|
| | | [10] | exposure_sync_mode | 0x0 | 0 | When '0', exposure configurations are sync'ed at the start of FOT. When '1', exposure configurations sync is disabled (continuously syncing). This mode is only relevant for Triggered snapshot - master mode, where the exposure configurations are sync'ed at the start of exposure rather than the start of FOT. For all other modes it should be set to '0'. Note: Sync is still postponed if sync_exposure='0'. | |
| 15 | 207 | | ref_lines | 0x0000 | 0 | Reference Line Configuration | RW |
| | | [7:0] | ref_lines | 0x00 | 0 | Number of Reference Lines 0-255 | |
| 16 | 208 | | reserved | 0x9F00 | 40704 | Reserved | RW |
| | | [7:0] | reserved | 0x00 | 0 | Reserved | |
| | | [15:8] | reserved | 0x9F | 159 | Reserved | |
| 19 | 211 | | reserved | 0x0E5B | 3675 | Reserved | RW |
| | | [0] | reserved | 0x1 | 1 | Reserved | |
| | | [1] | reserved | 0x1 | 1 | Reserved | |
| | | [2] | reserved | 0x0 | 0 | Reserved | |
| | | [3] | reserved | 0x1 | 1 | Reserved | |
| | | [6:4] | reserved | 0x5 | 5 | Reserved | |
| | | [15:8] | reserved | 0xE | 14 | Reserved | |
| 20 | 212 | | reserved | 0x0000 | 0 | Reserved | RW |
| | | [12:0] | reserved | 0x0000 | 0 | Reserved | |
| | | [15] | reserved | 0x0 | 0 | Reserved | |
| 21 | 213 | | reserved | 0x03FF | 1023 | Reserved | RW |
| | | [12:0] | reserved | 0x03FF | 1023 | Reserved | |
| 22 | 214 | | reserved | 0x0000 | 0 | Reserved | RW |
| | | [7:0] | reserved | 0x00 | 0 | Reserved | |
| | | [15:8] | reserved | 0x0 | 0 | Reserved | |
| 23 | 215 | | reserved | 0x0103 | 259 | Reserved | RW |
| | | [0] | reserved | 0x1 | 1 | Reserved | |
| | | [1] | reserved | 0x1 | 1 | Reserved | |
| | | [2] | reserved | 0x0 | 0 | Reserved | |
| | | [3] | reserved | 0x0 | 0 | Reserved | |
| | | [4] | reserved | 0x0 | 0 | Reserved | |
| | | [5] | reserved | 0x0 | 0 | Reserved | |
| | | [6] | reserved | 0x0 | 0 | Reserved | |
| | | [7] | reserved | 0x0 | 0 | Reserved | |
| | | [8] | reserved | 0x1 | 1 | Reserved | |
| | | [9] | reserved | 0x0 | 0 | Reserved | |
| | | [10] | reserved | 0x0 | 0 | Reserved | |
| | | [11] | reserved | 0x0 | 0 | Reserved | |
| | | [12] | reserved | 0x0 | 0 | Reserved | |
| | | [13] | reserved | 0x0 | 0 | Reserved | |
| | | [14] | reserved | 0x0 | 0 | Reserved | |
| 24 | 216 | | reserved | 0x7F08 | 32520 | Reserved | RW |
| | | [6:0] | reserved | 0x08 | 8 | Reserved | |

NOIP1SN1300A

Table 28. REGISTER MAP

| Address Offset | Address | Bit Field | Register Name | Default (Hex) | Default | Description | Type |
|----------------|---------|-----------|------------------------|---------------|---------|--|------|
| | | [14:8] | reserved | 0x7F | 127 | Reserved | |
| 25 | 217 | | reserved | 0x4444 | 17476 | Reserved | RW |
| | | [6:0] | reserved | 0x44 | 68 | Reserved | |
| | | [14:8] | reserved | 0x44 | 68 | Reserved | |
| 26 | 218 | | reserved | 0x4444 | 17476 | Reserved | RW |
| | | [6:0] | reserved | 0x44 | 68 | Reserved | |
| | | [14:8] | reserved | 0x44 | 68 | Reserved | |
| 27 | 219 | | reserved | 0x0016 | 22 | Reserved | RW |
| | | [6:0] | reserved | 0x016 | 22 | Reserved | |
| | | [14:8] | reserved | 0x00 | 0 | Reserved | |
| 28 | 220 | | lsm_prog_base_ss | 0x301F | 12319 | Sequencer Program Configuration | RW |
| | | [6:0] | lsm_prog_base_ss | 0x1F | 31 | LSM Program start for non-black lines in Snapshot shutter mode | |
| | | [14:8] | lsm_black_prog_base_ss | 0x30 | 48 | LSM Program start for black lines in Snapshot shutter mode | |
| 29 | 221 | | reserved | 0x6245 | 25157 | Reserved | RW |
| | | [6:0] | reserved | 0x45 | 69 | Reserved | |
| | | [14:8] | reserved | 0x62 | 98 | Reserved | |
| 30 | 222 | | reserved | 0x6230 | 25136 | Reserved | RW |
| | | [6:0] | reserved | 0x30 | 48 | Reserved | |
| | | [14:8] | reserved | 0x62 | 98 | Reserved | |
| 31 | 223 | | reserved | 0x001A | 26 | Reserved | RW |
| | | [6:0] | reserved | 0x1A | 26 | Reserved | |
| 32 | 224 | | reserved | 0x3E01 | 15873 | Reserved | RW |
| | | [3:0] | reserved | 0x1 | 1 | Reserved | |
| | | [7:4] | reserved | 0x00 | 0 | Reserved | |
| | | [8] | reserved | 0x0 | 0 | Reserved | |
| | | [9] | reserved | 0x1 | 1 | Reserved | |
| | | [10] | reserved | 0x1 | 1 | Reserved | |
| | | [11] | reserved | 0x1 | 1 | Reserved | |
| | | [12] | reserved | 0x1 | 1 | Reserved | |
| | | [13] | reserved | 0x1 | 1 | Reserved | |
| 33 | 225 | | reserved | 0x5EF1 | 24305 | Reserved | RW |
| | | [4:0] | reserved | 0x11 | 17 | Reserved | |
| | | [9:5] | reserved | 0x17 | 23 | Reserved | |
| | | [14:10] | reserved | 0x17 | 23 | Reserved | |
| | | [15] | reserved | 0x0 | 0 | Reserved | |
| 34 | 226 | | reserved | 0x6000 | 24576 | Reserved | RW |
| | | [4:0] | reserved | 0x00 | 0 | Reserved | |
| | | [9:5] | reserved | 0x00 | 0 | Reserved | |
| | | [14:10] | reserved | 0x18 | 24 | Reserved | |
| | | [15] | reserved | 0x0 | 0 | Reserved | |
| 35 | 227 | | reserved | 0x0000 | 0 | Reserved | RW |
| | | [0] | reserved | 0x0 | 0 | Reserved | |
| | | [1] | reserved | 0x0 | 0 | Reserved | |

NOIP1SN1300A

Table 28. REGISTER MAP

| Address Offset | Address | Bit Field | Register Name | Default (Hex) | Default | Description | Type |
|----------------|---------|-----------|---------------------|-------------------------------|-----------------------|--|--------|
| | | [2] | reserved | 0x0 | 0 | Reserved | |
| | | [3] | reserved | 0x0 | 0 | Reserved | |
| | | [4] | reserved | 0x0 | 0 | Reserved | |
| 36 | 228 | | roi_active0_1 | 0x0001 | 1 | Active ROI Selection | RW |
| | | [7:0] | roi_active1[7:0] | 0x01 | 1 | ROI Configuration | |
| 37 | 229 | | reserved | 0x0000 | 0 | Reserved | RW |
| | | | reserved | | | Reserved | |
| 38 | 230 | | reserved | 0x0001 | 1 | Reserved | RW |
| | | [15:0] | reserved | 0x0001 | 1 | Reserved | |
| 39 | 231 | | reserved | 0x0000 | 0 | Reserved | RW |
| | | [15:0] | reserved | 0x0000 | 0 | Reserved | |
| 40 | 232 | | reserved | 0x0000 | 0 | Reserved | RW |
| | | [15:0] | reserved | 0x0000 | 0 | Reserved | |
| 41 | 233 | | reserved | 0x0000 | 0 | Reserved | RW |
| | | [15:0] | reserved | 0x0000 | 0 | Reserved | |
| 42 | 234 | | reserved | 0x0000 | 0 | Reserved | RW |
| | | [15:0] | reserved | 0x0000 | 0 | Reserved | |
| 43 | 235 | | reserved | 0x01E3 | 483 | Reserved | RW |
| | | [4:0] | reserved | 0x03 | 3 | Reserved | |
| | | [12:5] | reserved | 0xF | 15 | Reserved | |
| 44 | 236 | | reserved | 0x0080 | 128 | Reserved | RW |
| | | [11:0] | reserved | 0x080 | 128 | Reserved | |
| 45 | 237 | | reserved | 0x0000 | 0 | Reserved | RW |
| | | [15:0] | reserved | 0x0000 | 0 | Reserved | |
| 46 | 238 | | reserved | 0xFFFF | 65535 | Reserved | RW |
| | | [15:0] | reserved | 0xFFFF | 65535 | Reserved | |
| 47 | 239 | | reserved | 0x0000 | 0 | Reserved | RW |
| | | [15:0] | reserved | 0x0 | 0 | Reserved | |
| 48 | 240 | | x_resolution | 0x00A0 [0x0068, 0x0054] | 160 [104, 84] | Sequencer Status | Status |
| | | [7:0] | x_resolution | 0x00A0 [0x0068, 0x0054] | 160 [104, 84] | Sensor x resolution | |
| 49 | 241 | | y_resolution | 0x0400 [0x0268, 0x01F0] | 1024 [616, 496] | Sequencer Status | Status |
| | | [12:0] | y_resolution | 0x0400 [0x0268, 0x01F0] | 1024 [616, 496] | Sensor y resolution | |
| 50 | 242 | | mult_timer_status | 0x0000 | 0 | Sequencer Status | Status |
| | | [15:0] | mult_timer | 0x0000 | 0 | Mult Timer Status (Master Snapshot Shutter only) | |
| 51 | 243 | | reset_length_status | 0x0000 | 0 | Sequencer Status | Status |
| | | [15:0] | reset_length | 0x0000 | 0 | Current Reset Length (not in Slave mode) | |
| 52 | 244 | | exposure_status | 0x0000 | 0 | Sequencer Status | Status |
| | | [15:0] | exposure | 0x0000 | 0 | Current Exposure Time (not in Slave mode) | |

NOIP1SN1300A

Table 28. REGISTER MAP

| Address Offset | Address | Bit Field | Register Name | Default (Hex) | Default | Description | Type |
|----------------|---------|-----------|------------------------|---------------|---------|---|--------|
| 53 | 245 | | exposure_ds_status | 0x0000 | 0 | Sequencer Status | Status |
| | | [15:0] | exposure_ds | 0x0000 | 0 | Current Exposure Time (not in Slave mode) | |
| 54 | 246 | | exposure_ts_status | 0x0000 | 0 | Sequencer Status | Status |
| | | [15:0] | exposure_ts | 0x0000 | 0 | Current Exposure Time (not in Slave mode) | |
| 55 | 247 | | gain_status | 0x0000 | 0 | Sequencer Status | Status |
| | | [4:0] | mux_gainsw | 0x00 | 0 | Current Column Gain Setting | |
| | | [12:5] | afe_gain | 0x00 | 0 | Current AFE Programmable Gain | |
| 56 | 248 | | digital_gain_status | 0x0000 | 0 | Sequencer Status | Status |
| | | [11:0] | db_gain | 0x000 | 0 | Digital Gain | |
| | | [12] | dual_slope | 0x0 | 0 | Dual Slope Enabled | |
| | | [13] | triple_slope | 0x0 | 0 | Triple Slope Enabled | |
| 58 | 250 | | reserved | 0x0423 | 1059 | Reserved | RW |
| | | [4:0] | reserved | 0x03 | 3 | Reserved | |
| | | [9:5] | reserved | 0x01 | 1 | Reserved | |
| | | [14:10] | reserved | 0x01 | 1 | Reserved | |
| 59 | 251 | | reserved | 0x030F | 783 | Reserved | RW |
| | | [7:0] | reserved | 0xF | 15 | Reserved | |
| | | [15:8] | reserved | 0x3 | 3 | Reserved | |
| 60 | 252 | | reserved | 0x0601 | 1537 | Reserved | RW |
| | | [7:0] | reserved | 0x1 | 1 | Reserved | |
| | | [15:8] | reserved | 0x6 | 6 | Reserved | |
| 61 | 253 | | roi_aec_configuration0 | 0x0000 | 0 | AEC ROI Configuration | RW |
| | | [7:0] | x_start | 0x00 | 0 | AEC ROI X Start Configuration (used for AEC statistics when roi_aec_enable='1') | |
| | | [15:8] | x_end | 0x00 | 0 | AEC ROI X End Configuration (used for AEC statistics when roi_aec_enable='1') | |
| 62 | 254 | | roi_aec_configuration1 | 0x0000 | 0 | AEC ROI Configuration | RW |
| | | [12:0] | y_start | 0x0000 | 0 | AEC ROI Y Start Configuration (used for AEC statistics when roi_aec_enable='1') | |
| 63 | 255 | | roi_aec_configuration2 | 0x0000 | 0 | AEC ROI Configuration | RW |
| | | [12:0] | y_end | 0x0000 | 0 | AEC ROI Y End Configuration (used for AEC statistics when roi_aec_enable='1') | |

Sequencer ROI [Block Offset: 256]

| | | | | | | | |
|---|-----|--------|---------------------|--------|-------|-----------------------|----|
| 0 | 256 | | roi0_configuration0 | 0x9F00 | 40704 | ROI Configuration | RW |
| | | [7:0] | x_start | 0x00 | 0 | X Start Configuration | |
| | | [15:8] | x_end | 0x9F | 159 | X End Configuration | |
| 1 | 257 | | roi0_configuration1 | 0x0000 | 0 | ROI Configuration | RW |
| | | [12:0] | y_start | 0x0000 | 0 | Y Start Configuration | |
| 2 | 258 | | roi0_configuration2 | 0x03FF | 1023 | ROI Configuration | RW |
| | | [12:0] | y_end | 0x3FF | 1023 | Y End Configuration | |
| 3 | 259 | | roi1_configuration0 | 0x9F00 | 40704 | ROI Configuration | RW |
| | | [7:0] | x_start | 0x00 | 0 | X Start Configuration | |
| | | [15:8] | x_end | 0x9F | 159 | X End Configuration | |

NOIP1SN1300A

Table 28. REGISTER MAP

| Address Offset | Address | Bit Field | Register Name | Default (Hex) | Default | Description | Type |
|----------------|---------|-----------|---------------------|---------------|---------|-----------------------|------|
| 4 | 260 | | roi1_configuration1 | 0x0000 | 0 | ROI Configuration | RW |
| | | [12:0] | y_start | 0x0000 | 0 | Y Start Configuration | |
| 5 | 261 | | roi1_configuration2 | 0x03FF | 1023 | ROI Configuration | RW |
| | | [12:0] | y_end | 0x3FF | 1023 | Y End Configuration | |
| 6 | 262 | | roi2_configuration0 | 0x9F00 | 40704 | ROI Configuration | RW |
| | | [7:0] | x_start | 0x00 | 0 | X Start Configuration | |
| | | [15:8] | x_end | 0x9F | 159 | X End Configuration | |
| 7 | 263 | | roi2_configuration1 | 0x0000 | 0 | ROI Configuration | RW |
| | | [12:0] | y_start | 0x0000 | 0 | Y Start Configuration | |
| 8 | 264 | | roi2_configuration2 | 0x03FF | 1023 | ROI Configuration | RW |
| | | [12:0] | y_end | 0x3FF | 1023 | Y End Configuration | |
| 9 | 265 | | roi3_configuration0 | 0x9F00 | 40704 | ROI Configuration | RW |
| | | [7:0] | x_start | 0x00 | 0 | X Start Configuration | |
| | | [15:8] | x_end | 0x9F | 159 | X End Configuration | |
| 10 | 266 | | roi3_configuration1 | 0x0000 | 0 | ROI Configuration | RW |
| | | [12:0] | y_start | 0x0000 | 0 | Y Start Configuration | |
| 11 | 267 | | roi3_configuration2 | 0x03FF | 1023 | ROI Configuration | RW |
| | | [12:0] | y_end | 0x3FF | 1023 | Y End Configuration | |
| 12 | 268 | | roi4_configuration0 | 0x9F00 | 40704 | ROI Configuration | RW |
| | | [7:0] | x_start | 0x00 | 0 | X Start Configuration | |
| | | [15:8] | x_end | 0x9F | 159 | X End Configuration | |
| 13 | 269 | | roi4_configuration1 | 0x0000 | 0 | ROI Configuration | RW |
| | | [12:0] | y_start | 0x0000 | 0 | Y Start Configuration | |
| 14 | 270 | | roi4_configuration2 | 0x03FF | 1023 | ROI Configuration | RW |
| | | [12:0] | y_end | 0x3FF | 1023 | Y End Configuration | |
| 15 | 271 | | roi5_configuration0 | 0x9F00 | 40704 | ROI Configuration | RW |
| | | [7:0] | x_start | 0x00 | 0 | X Start Configuration | |
| | | [15:8] | x_end | 0x9F | 159 | X End Configuration | |
| 16 | 272 | | roi5_configuration1 | 0x0000 | 0 | ROI Configuration | RW |
| | | [12:0] | y_start | 0x0000 | 0 | Y Start Configuration | |
| 17 | 273 | | roi5_configuration2 | 0x03FF | 1023 | ROI Configuration | RW |
| | | [12:0] | y_end | 0x3FF | 1023 | Y End Configuration | |
| 18 | 274 | | roi6_configuration0 | 0x9F00 | 40704 | ROI Configuration | RW |
| | | [7:0] | x_start | 0x00 | 0 | X Start Configuration | |
| | | [15:8] | x_end | 0x9F | 159 | X End Configuration | |
| 19 | 275 | | roi6_configuration1 | 0x0000 | 0 | ROI Configuration | RW |
| | | [12:0] | y_start | 0x0000 | 0 | Y Start Configuration | |
| 20 | 276 | | roi6_configuration2 | 0x03FF | 1023 | ROI Configuration | RW |
| | | [12:0] | y_end | 0x3FF | 1023 | Y End Configuration | |
| 21 | 277 | | roi7_configuration0 | 0x9F00 | 40704 | ROI Configuration | RW |
| | | [7:0] | x_start | 0x00 | 0 | X Start Configuration | |
| | | [15:8] | x_end | 0x9F | 159 | X End Configuration | |
| 22 | 278 | | roi7_configuration1 | 0x0000 | 0 | ROI Configuration | RW |
| | | [12:0] | y_start | 0x0000 | 0 | Y Start Configuration | |

NOIP1SN1300A

Table 28. REGISTER MAP

| Address Offset | Address | Bit Field | Register Name | Default (Hex) | Default | Description | Type |
|----------------|---------|-----------|---------------------|---------------|---------|---------------------|------|
| 23 | 279 | | roi7_configuration2 | 0x03FF | 1023 | ROI Configuration | RW |
| | | [12:0] | y_end | 0x3FF | 1023 | Y End Configuration | |
| | | | | | | | |

Sequencer ROI [Block Offset: 384]

| | | | | | | | |
|-----|-----|--------|----------|--|--|----------|----|
| 0 | 384 | | reserved | | | Reserved | RW |
| | | [15:0] | reserved | | | Reserved | |
| | .. | ... | ... | | | ... | |
| | | | ... | | | ... | |
| 127 | 511 | | reserved | | | Reserved | RW |
| | | [15:0] | reserved | | | Reserved | |

NOIP1SN1300A

PACKAGE INFORMATION

Pin List

The PYTHON 300, PYTHON 500, and PYTHON 1300 image sensors are available in an LVDS output configuration (P1–SN/SE/FN, P3–SN/SE/FN), with the PYTHON 1300 also available in a CMOS output configuration (P2–SN/SE). The LVDS I/Os comply to the TIA/EIA–644–A Standard and the CMOS I/Os have a 3.3 V signal level. Tables 29 and 30 show the pin list for both versions.

Table 29. PIN LIST FOR P1–SN/SE/FN, P3–SN/SE/FN LVDS INTERFACE

| Pack Pin No. | Pin Name | I/O Type | Direction | Description |
|--------------|----------------|----------|-----------|--|
| 1 | vdd_33 | Supply | | 3.3 V Supply |
| 2 | mosi | CMOS | Input | SPI Master Out – Slave In |
| 3 | miso | CMOS | Output | SPI Master In – Slave Out |
| 4 | sck | CMOS | Input | SPI Clock |
| 5 | gnd_18 | Supply | | 1.8 V Ground |
| 6 | vdd_18 | Supply | | 1.8 V Supply |
| 7 | clock_outn | LVDS | Output | LVDS Clock Output (Negative) |
| 8 | clock_outp | LVDS | Output | LVDS Clock Output (Positive) |
| 9 | doutn0 | LVDS | Output | LVDS Data Output Channel #0 (Negative) |
| 10 | doutp0 | LVDS | Output | LVDS Data Output Channel #0 (Positive) |
| 11 | doutn1 | LVDS | Output | LVDS Data Output Channel #1 (Negative). Not connected for P3 |
| 12 | doutp1 | LVDS | Output | LVDS Data Output Channel #1 (Positive). Not connected for P3 |
| 13 | doutn2 | LVDS | Output | LVDS Data Output Channel #2 (Negative) |
| 14 | doutp2 | LVDS | Output | LVDS Data Output Channel #2 (Positive) |
| 15 | doutn3 | LVDS | Output | LVDS Data Output Channel #3 (Negative). Not connected for P3 |
| 16 | doutp3 | LVDS | Output | LVDS Data Output Channel #3 (Positive). Not connected for P3 |
| 17 | syncn | LVDS | Output | LVDS Sync Channel Output (Negative) |
| 18 | syncp | LVDS | Output | LVDS Sync Channel Output (Positive) |
| 19 | vdd_33 | Supply | | 3.3 V Supply |
| 20 | gnd_33 | Supply | | 3.3 V Ground |
| 21 | gnd_18 | Supply | | 1.8 V Ground |
| 22 | vdd_18 | Supply | | 1.8 V Supply |
| 23 | lvds_clock_inn | LVDS | Input | LVDS Clock Input (Negative) |
| 24 | lvds_clock_inp | LVDS | Input | LVDS Clock Input (Positive) |
| 25 | clk_pll | CMOS | Input | Reference Clock Input for PLL |
| 26 | vdd_18 | Supply | | 1.8 V Supply |
| 27 | gnd_18 | Supply | | 1.8 V Ground |
| 28 | ibias_master | Analog | I/O | Master Bias Reference. Connect with 47k to gnd_33. |
| 29 | vdd_33 | Supply | | 3.3 V Supply |
| 30 | gnd_33 | Supply | | 3.3 V Ground |
| 31 | vdd_pix | Supply | | Pixel Array Supply |
| 32 | gnd_colpc | Supply | | Pixel Array Ground |
| 33 | vdd_pix | Supply | | Pixel Array Supply |
| 34 | gnd_colpc | Supply | | Pixel Array Ground |
| 35 | gnd_33 | Supply | | 3.3 V Ground |

NOIP1SN1300A

Table 29. PIN LIST FOR P1–SN/SE/FN, P3–SN/SE/FN LVDS INTERFACE

| Pack Pin No. | Pin Name | I/O Type | Direction | Description |
|--------------|-----------|----------|-----------|-------------------------------|
| 36 | vdd_33 | Supply | | 3.3 V Supply |
| 37 | gnd_colpc | Supply | | Pixel Array Ground |
| 38 | vdd_pix | Supply | | Pixel Array Supply |
| 39 | gnd_colpc | Supply | | Pixel Array Ground |
| 40 | vdd_pix | Supply | | Pixel Array Supply |
| 41 | trigger0 | CMOS | Input | Trigger Input #0 |
| 42 | trigger1 | CMOS | Input | Trigger Input #1 |
| 43 | trigger2 | CMOS | Input | Trigger Input #2 |
| 44 | monitor0 | CMOS | Output | Monitor Output #0 |
| 45 | monitor1 | CMOS | Output | Monitor Output #1 |
| 46 | reset_n | CMOS | Input | Sensor Reset (Active Low) |
| 47 | ss_n | CMOS | Input | SPI Slave Select (Active Low) |
| 48 | gnd_33 | Supply | | 3.3 V Ground |

Table 30. PIN LIST FOR P2–SN/SE CMOS INTERFACE

| Pack Pin No. | Pin Name | I/O Type | Direction | Description |
|--------------|----------------|----------|-----------|-----------------------------|
| 1 | vdd_33 | Supply | | 3.3 V Supply |
| 2 | mosi | CMOS | Input | SPI Master Out – Slave In |
| 3 | miso | CMOS | Output | SPI Master In – Slave Out |
| 4 | sck | CMOS | Input | SPI Clock |
| 5 | gnd_18 | Supply | | 1.8 V Ground |
| 6 | vdd_18 | Supply | | 1.8 V Supply |
| 7 | dout9 | CMOS | Output | Data Output Bit #9 |
| 8 | dout8 | CMOS | Output | Data Output Bit #8 |
| 9 | dout7 | CMOS | Output | Data Output Bit #7 |
| 10 | dout6 | CMOS | Output | Data Output Bit #6 |
| 11 | dout5 | CMOS | Output | Data Output Bit #5 |
| 12 | dout4 | CMOS | Output | Data Output Bit #4 |
| 13 | dout3 | CMOS | Output | Data Output Bit #3 |
| 14 | dout2 | CMOS | Output | Data Output Bit #2 |
| 15 | dout1 | CMOS | Output | Data Output Bit #1 |
| 16 | dout0 | CMOS | Output | Data Output Bit #0 |
| 17 | frame_valid | CMOS | Output | Frame Valid Output |
| 18 | line_valid | CMOS | Output | Line Valid Output |
| 19 | vdd_33 | Supply | | 3.3 V Supply |
| 20 | gnd_33 | Supply | | 3.3 V Ground |
| 21 | clk_out | CMOS | | Clock output |
| 22 | vdd_18 | Supply | | 1.8 V Supply |
| 23 | lvds_clock_inn | LVDS | Input | LVDS Clock Input (Negative) |
| 24 | lvds_clock_inp | LVDS | Input | LVDS Clock Input (Positive) |
| 25 | clk_pll | CMOS | Input | CMOS Clock Input |

NOIP1SN1300A

Table 30. PIN LIST FOR P2–SN/SE CMOS INTERFACE

| Pack Pin No. | Pin Name | I/O Type | Direction | Description |
|--------------|--------------|----------|-----------|--|
| 26 | vdd_18 | Supply | | 1.8 V Supply |
| 27 | gnd_18 | Supply | | 1.8 V Ground |
| 28 | ibias_master | Analog | I/O | Master Bias Reference. Connect with 47k to gnd_33. |
| 29 | vdd_33 | Supply | | 3.3 V Supply |
| 30 | gnd_33 | Supply | | 3.3 V Ground |
| 31 | vdd_pix | Supply | | Pixel Array Supply |
| 32 | gnd_colpc | Supply | | Pixel Array Ground |
| 33 | vdd_pix | Supply | | Pixel Array Supply |
| 34 | gnd_colpc | Supply | | Pixel Array Ground |
| 35 | gnd_33 | Supply | | 3.3 V Ground |
| 36 | vdd_33 | Supply | | 3.3 V Supply |
| 37 | gnd_colpc | Supply | | Pixel Array Ground |
| 38 | vdd_pix | Supply | | Pixel Array Supply |
| 39 | gnd_colpc | Supply | | Pixel Array Ground |
| 40 | vdd_pix | Supply | | Pixel Array Supply |
| 41 | trigger0 | CMOS | Input | Trigger Input #0 |
| 42 | trigger1 | CMOS | Input | Trigger Input #1 |
| 43 | trigger2 | CMOS | Input | Trigger Input #2 |
| 44 | monitor0 | CMOS | Output | Monitor Output #0 |
| 45 | monitor1 | CMOS | Output | Monitor Output #1 |
| 46 | reset_n | CMOS | Input | Sensor Reset (Active Low) |
| 47 | ss_n | CMOS | Input | SPI Slave Select (Active Low) |
| 48 | gnd_33 | Supply | | 3.3 V Ground |

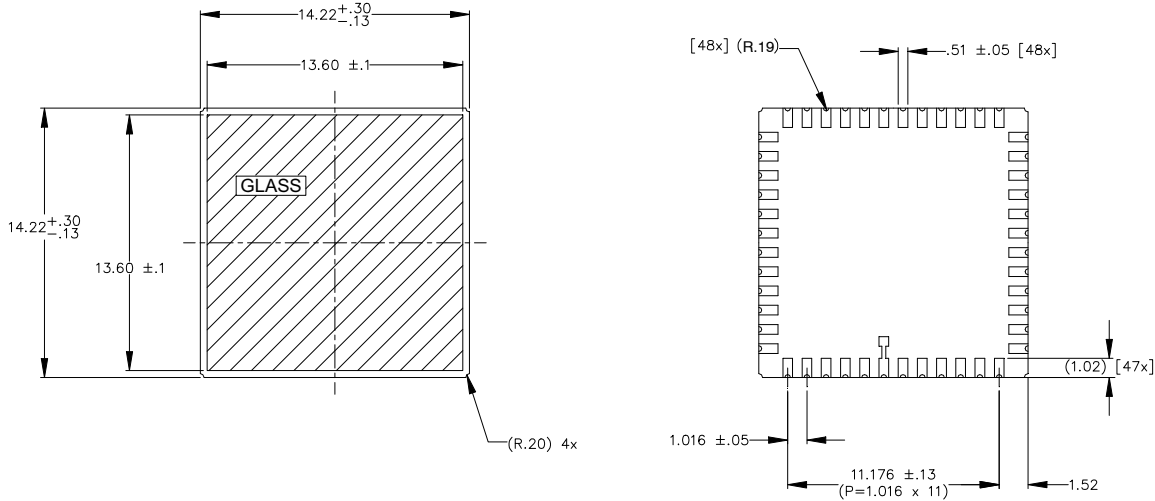
NOIP1SN1300A

Table 31. MECHANICAL SPECIFICATION

| Parameter | Description | Min | Typ | Max | Units |
|--|--|---------------------|-------------|-------|-----------------|
| Die (Refer to Figure 51 and Figure 52 showing Pin 1 reference as left center) | Die thickness | | 725 | | μm |
| | Die Size | | 9.0 X 7.95 | | mm ² |
| | Die center, X offset to the center of package | -50 | 0 | 50 | μm |
| | Die center, Y offset to the center of the package | -225 | -175 | -125 | μm |
| | Die position, tilt to the Die Attach Plane | -1 | 0 | 1 | deg |
| | Die rotation accuracy (referenced to die scribe and lead fingers on package on all four sides) | -1 | 0 | 1 | deg |
| | Optical center referenced from the die/package center (X-dir) | | -179.24 | | μm |
| | Optical center referenced from the die center (Y-dir) | | 1542.14 | | μm |
| | Optical center referenced from the package center (Y-dir) | | 1367.14 | | μm |
| | Distance from bottom of the package to top of the die surface | 1.165 | 1.260 | 1.405 | mm |
| | Distance from top of the die surface to top of the glass lid | 0.655 | 0.990 | 1.305 | mm |
| Glass Lid Specification | XY size | | 13.6 X 13.6 | | mm ² |
| | Thickness | 0.5 | 0.55 | 0.6 | mm |
| | Spectral response range | 400 | | 1000 | nm |
| | Transmission of glass lid (refer to Figure 50) | | 92 | | % |
| Glass Lid Material | D263 Teco | | | | |
| Mechanical Shock | JESD22-B104C; Condition G | | | 2000 | g |
| Vibration | JESD22-B103B; Condition 1 | | | 2000 | Hz |
| Mounting Profile | Reflow profile according to J-STD-020D.1 | | | 260 | °C |
| Recommended Socket | Andon Electronics Corporation http://www.andonelect.com | 680-48-SM-G10-R14-X | | | |
| CTE | Coefficient of Thermal expansion of the LCC Package | | 7.1 | | μm/°C |

NOIP1SN1300A

Package Drawing



1. ALL DIMENSIONS ARE IN MILIMETER
 NOTES: UNLESS OTHERWISE SPECIFIED

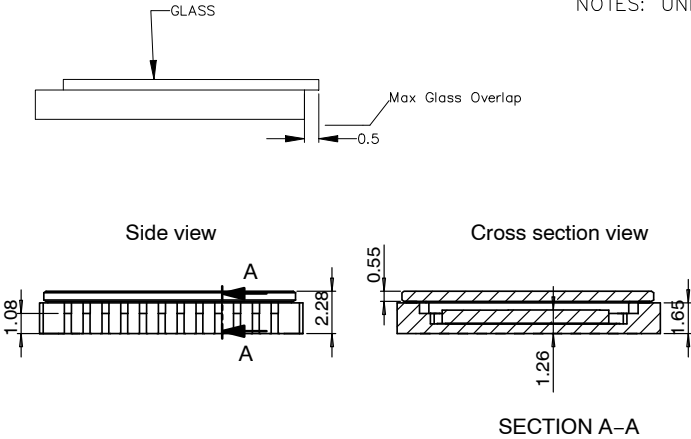


Figure 50. Package Drawing for the 48-pin LCC Package

NOIP1SN1300A

Table 32. OPTICAL CENTER INFORMATION

| | References* | PYTHON1300 | | PYTHON500 | | PYTHON300 | |
|-------------------------|-----------------|------------|---------|-----------|---------|-----------|---------|
| | | X (μm) | Y (μm) | X (μm) | Y (μm) | X (μm) | Y (μm) |
| Die Outer Coordinates | D1 | 0 | 9000 | 0 | 9000 | 0 | 9000 |
| | D2 | 7950 | 9000 | 7950 | 9000 | 7950 | 9000 |
| | D3 | 7950 | 0 | 7950 | 0 | 7950 | 0 |
| | D4 | 0 | 0 | 0 | 0 | 0 | 0 |
| Die Center | CD | 3975 | 4500 | 3975 | 4500 | 3975 | 4500 |
| Pixel Area Coordinates | A1 | 704.56 | 8518.94 | 704.56 | 8518.94 | 704.56 | 8518.94 |
| | A2 | 6886.96 | 8518.94 | 6886.96 | 8518.94 | 6886.96 | 8518.94 |
| | A3 | 6886.96 | 3565.34 | 6886.96 | 3565.34 | 6886.96 | 3565.34 |
| | A4 | 704.56 | 3565.34 | 704.56 | 3565.34 | 704.56 | 3565.34 |
| Active Area Center | AA | 3795.76 | 6042.14 | 3795.76 | 6042.14 | 3795.76 | 6042.14 |
| | Pitch | 4.8 | 4.8 | 4.8 | 4.8 | 4.8 | 4.8 |
| | # Pixels | 1288 | 1032 | 1288 | 1032 | 1288 | 1032 |
| | # Dummy | 8 | 8 | 456 | 400 | 616 | 520 |
| | # Active Pixels | 1280 | 1024 | 832 | 632 | 672 | 512 |
| Active Area Coordinates | Act_A1 | 723.76 | 8499.74 | 1798.96 | 7558.94 | 2182.96 | 7270.94 |
| | Act_A2 | 6867.76 | 8499.74 | 5792.56 | 7558.94 | 5408.56 | 7270.94 |
| | Act_A3 | 6867.76 | 3584.54 | 5792.56 | 4525.34 | 5408.56 | 4813.34 |
| | Act_A4 | 723.76 | 3584.54 | 1798.96 | 4525.34 | 2182.96 | 4813.34 |

*Refer to Figure 51.

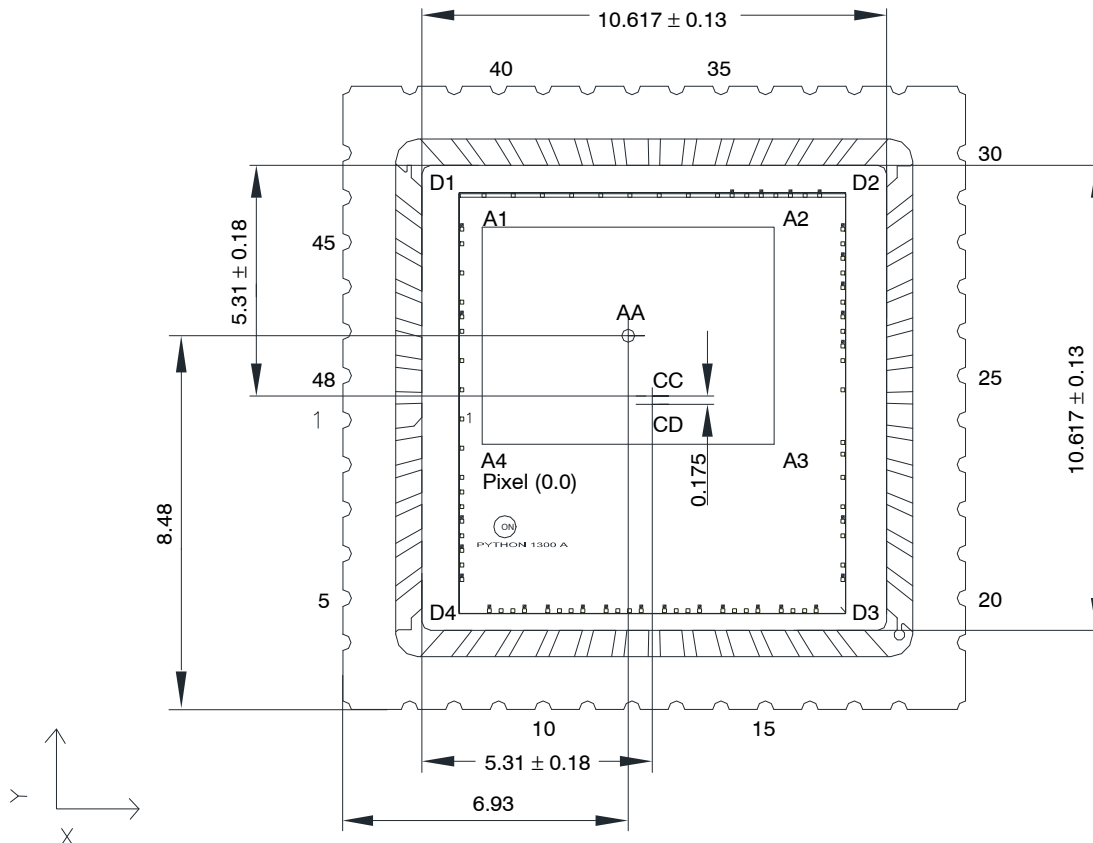


Figure 51. Graphical Representation of the Optical Center for PYTHON 1300/500/300 (1 of 2)

NOIP1SN1300A

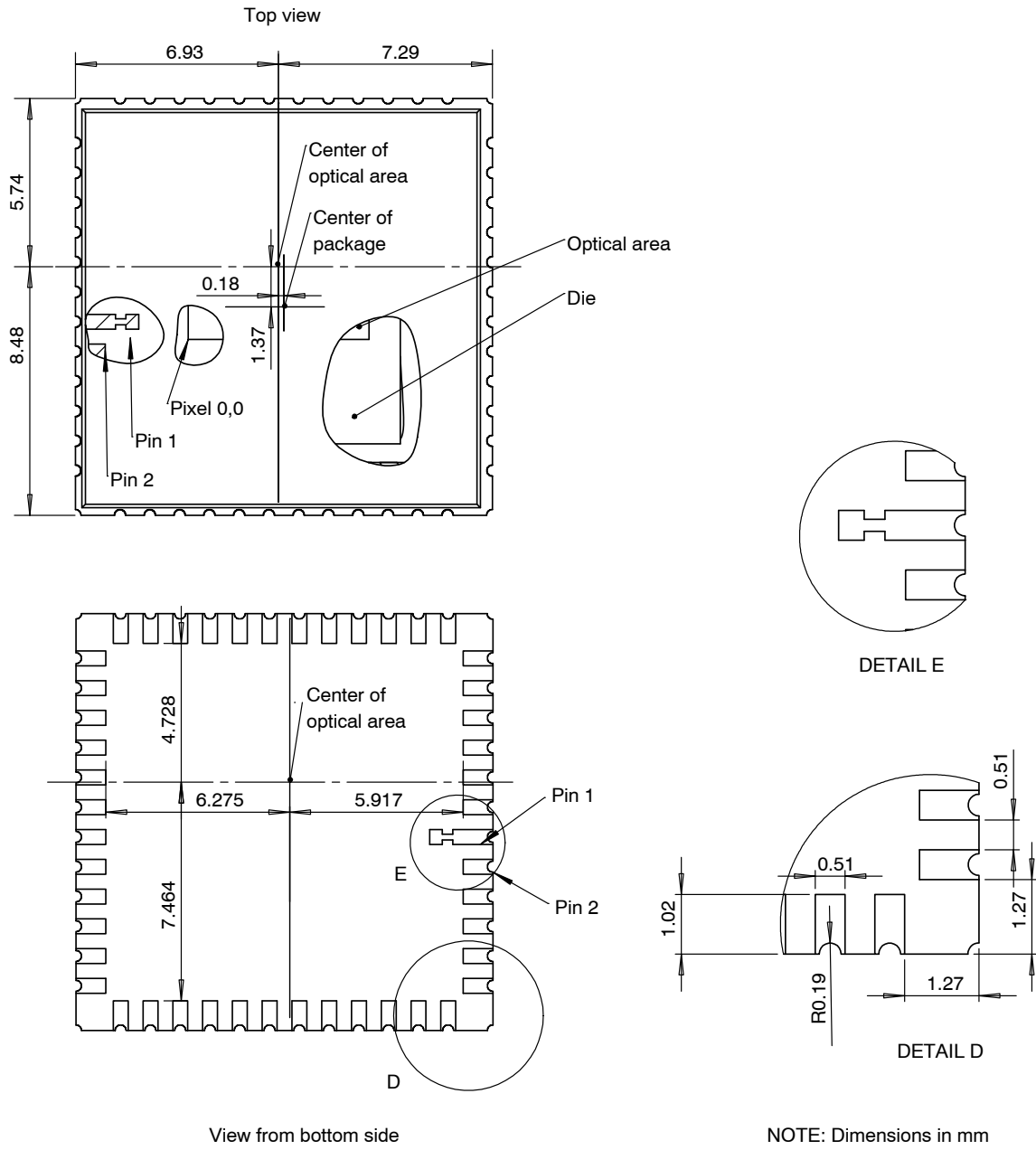


Figure 52. Graphical Representation of the Optical Center (2 of 2)

NOIP1SN1300A

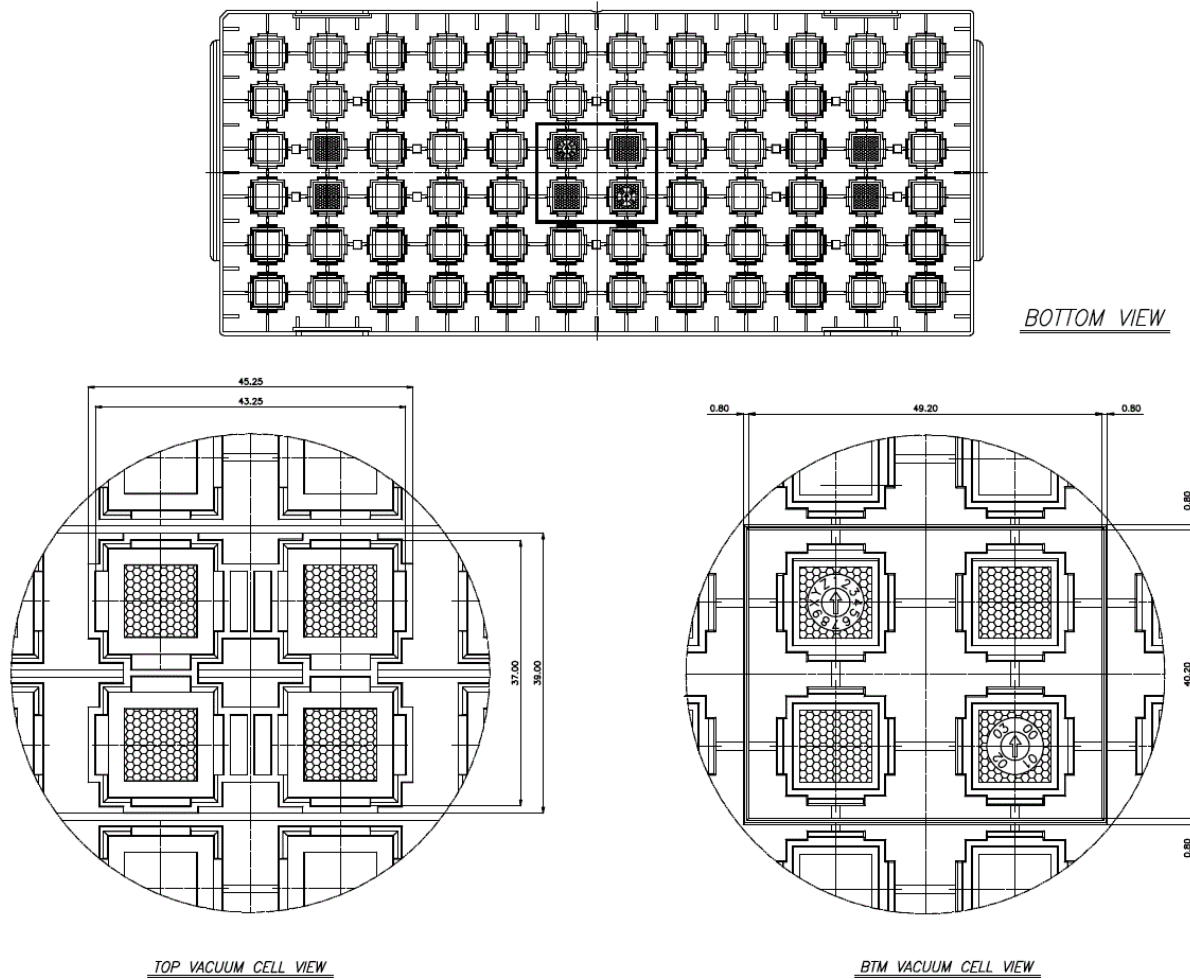
Packing and Tray Specification

The PYTHON packing specification with onsemi packing labels is packed as follows:

Table 33. PACKING AND TRAY SPECIFICATION

| CLCC | Package (mm) | | | Tray | | Restraint | | Box |
|------|--------------|--------|-------|------------|------------|-----------------|--|------------------------|
| | Leads | Length | Width | Thickness* | Tray Spec# | Quantity / Tray | Strap | Bag |
| 48 | 14.22 | 14.22 | 2.28 | KS-87233 | 64 | Rubber band | Double bagged using MBB and pink ESD bag | 5 trays + 1 cover tray |

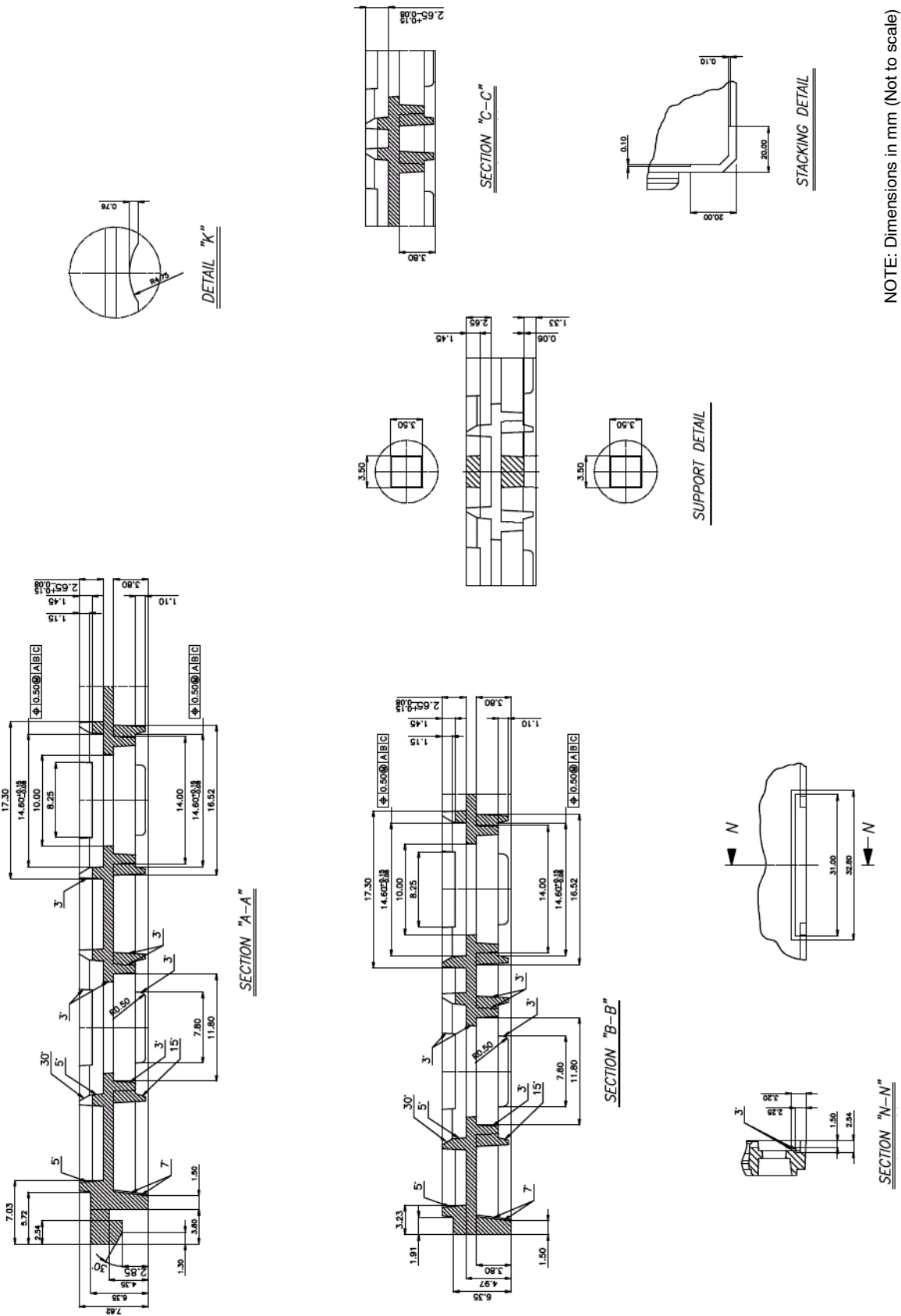
*Includes package, glass and glue attach thickness. Cover paper to be placed on the top tray.



NOTE: Dimensions in mm (Not to scale)

Figure 53. Packing and Tray Configuration (1 of 2)

NOIP1SN1300A



NOTE: Dimensions in mm (Not to scale)

Figure 54. Packing and Tray Configuration (2 of 2)

NOIP1SN1300A

Glass Lid

The PYTHON 300, PYTHON 500, and PYTHON 1300 image sensors use a glass lid without any coatings. Figure 44 shows the transmission characteristics of the glass lid.

As shown in Figure 49, no infrared attenuating color filter glass is used. Use of an IR cut filter is recommended in the optical path when color devices are used. (source: <http://www.pgo-online.com>).



Figure 55. Transmission Characteristics of the Glass Lid

Protective Foil

For certain size and speed options, the sensor can be delivered with a protective foil that is intended to be

removed after assembly. The dimensions of the foil are as illustrated in Figure 56 with the tab aligned towards pin 1 of the package.

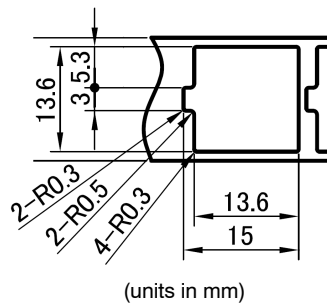


Figure 56. Dimensions of the Protective Foil

NOIP1SN1300A

SPECIFICATIONS AND USEFUL REFERENCES

The following references are available to customers under NDA at the **onsemi** [Image Sensor Portal](#):

- Product Acceptance Criteria
- Product Qualification Report
- PYTHON Developer's Guide AND9362/D

Material Composition is available at <http://www.onsemi.com/PowerSolutions/MaterialComposition.do?searchParts=PYTHON1300>

Useful References

For information on ESD handling, cover glass care and cleanliness, mounting information, please download the *Image Sensor Handling and Best Practices* Application Note (AN52561/D) from www.onsemi.com.

For quality and reliability information, please download the *Quality & Reliability Handbook* (HBD851/D) from www.onsemi.com.

For information on Standard terms and Conditions of Sale, please download [Terms and Conditions](#) from www.onsemi.com.

For information on acronyms and a glossary of terms used, please download *Image Sensor Terminology* (TND6116/D) from www.onsemi.com.

Return Material Authorization (RMA)

Refer to the **onsemi** RMA policy procedure at http://www.onsemi.com/site/pdf/CAT_Returns_FailureAnalysis.pdf

onsemi, **Onsemi**, and other names, marks, and brands are registered and/or common law trademarks of Semiconductor Components Industries, LLC dba "**onsemi**" or its affiliates and/or subsidiaries in the United States and/or other countries. **onsemi** owns the rights to a number of patents, trademarks, copyrights, trade secrets, and other intellectual property. A listing of **onsemi**'s product/patent coverage may be accessed at www.onsemi.com/site/pdf/Patent-Marking.pdf. **onsemi** reserves the right to make changes at any time to any products or information herein, without notice. The information herein is provided "as-is" and **onsemi** makes no warranty, representation or guarantee regarding the accuracy of the information, product features, availability, functionality, or suitability of its products for any particular purpose, nor does **onsemi** assume any liability arising out of the application or use of any product or circuit, and specifically disclaims any and all liability, including without limitation special, consequential or incidental damages. Buyer is responsible for its products and applications using **onsemi** products, including compliance with all laws, regulations and safety requirements or standards, regardless of any support or applications information provided by **onsemi**. "Typical" parameters which may be provided in **onsemi** data sheets and/or specifications can and do vary in different applications and actual performance may vary over time. All operating parameters, including "Typicals" must be validated for each customer application by customer's technical experts. **onsemi** does not convey any license under any of its intellectual property rights nor the rights of others. **onsemi** products are not designed, intended, or authorized for use as a critical component in life support systems or any FDA Class 3 medical devices or medical devices with a same or similar classification in a foreign jurisdiction or any devices intended for implantation in the human body. Should Buyer purchase or use **onsemi** products for any such unintended or unauthorized application, Buyer shall indemnify and hold **onsemi** and its officers, employees, subsidiaries, affiliates, and distributors harmless against all claims, costs, damages, and expenses, and reasonable attorney fees arising out of, directly or indirectly, any claim of personal injury or death associated with such unintended or unauthorized use, even if such claim alleges that **onsemi** was negligent regarding the design or manufacture of the part. **onsemi** is an Equal Opportunity/Affirmative Action Employer. This literature is subject to all applicable copyright laws and is not for resale in any manner.

PUBLICATION ORDERING INFORMATION

LITERATURE FULFILLMENT:
Email Requests to: orderlit@onsemi.com

onsemi Website: www.onsemi.com

TECHNICAL SUPPORT
North American Technical Support:
Voice Mail: 1 800-282-9855 Toll Free USA/Canada
Phone: 011 421 33 790 2910

Europe, Middle East and Africa Technical Support:
Phone: 00421 33 790 2910
For additional information, please contact your local Sales Representative