

REVISIONS					
P	LTR	DESCRIPTION	DATE	DWN	APVD
F9	REVISED PER	ECN-22-172282	31AUG2022	A.L.	H.L.

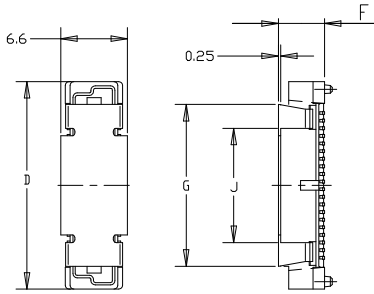
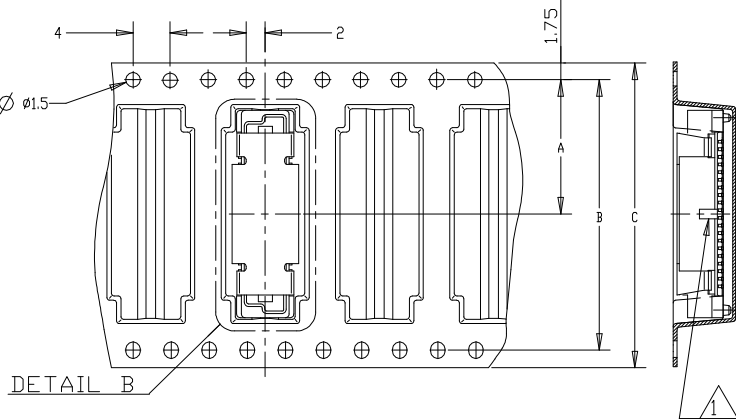
Notes:

- 1 CUTOUT FEATURE AVAILABLE ONLY ON 5H ASSY P/N -1 (40P) AND -2 (60P).
- 2 0.00038 MIN GOLD PLATING (15u INCHES GOLD PLATING)
- 3 CONNECTOR DIMENSIONS REFERENCED FROM DRAWING WHICH CONN. P/Ns BASED
- 4 CONNECTOR WITH BLACK HOUSING
- 5 MATERIAL: HOUSING: L.C.P UL 94-V0. COLOR: NATURAL EXCEPT FOR NOTE 4 CONTACT: BRASS

LOW HALOGEN

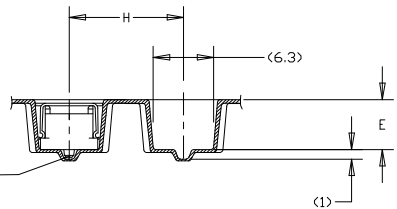
STEEL COVER

DIRECTION OFF TOP OF REEL

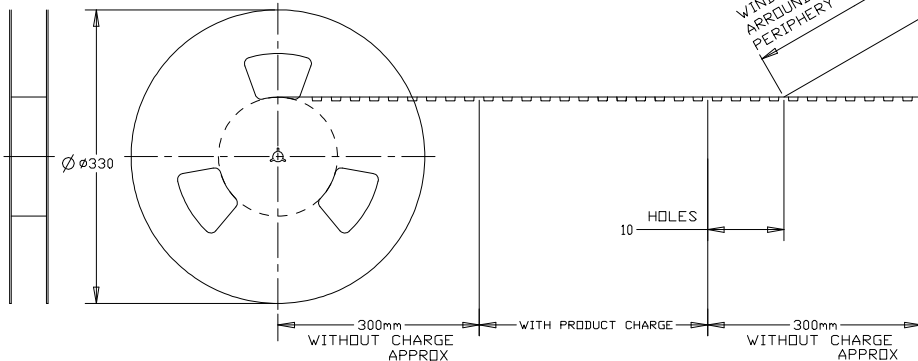


DETAIL B

DETAIL B



LOCATION BOSS



WINDING THE COVER TAPE AROUND THE OUTER PERIPHERY IN A TURN.

REMARKS	QTY	HEIGHT TYPE	Y	X	J	H	G	F	E	D	C	B	A	PDS	SALEABLE PART NO.		
																0.00076 MIN GOLD PLATING (30u INCHES GOLD PLATING)	
450					16					53.8	88	84.4	42.2	140	7-	-6	
										45.8	72	68.4	34.2	100	7-	-4	
										37.8	56	52.4	26.2	80	7-	-3	
										29.8	44	40.4	20.2	60	7-	-2	
		7H	3.6	6.6	12		6.85	7.25		21.8	32	28.4	14.2	40	7-5177986-1		
										69.8				160	6-	-8	
										61.8	88	84.4	42.2	140	6-	-6	
										53.8				120	6-	-5	
										45.8	72	68.4	34.2	100	6-	-4	
										37.8	56	52.4	26.2	80	6-	-3	
										29.8	44	40.4	20.2	60	6-	-2	
		800								85.8	104	100.4	50.2	200	5-	-0	
										69.8				160	5-	-8	
										61.8	88	84.4	42.2	140	5-	-6	
										53.8				120	5-	-5	
										45.8	72	68.4	34.2	100	5-	-4	
										37.8	56	52.4	26.2	80	5-	-3	
										29.8	44	40.4	20.2	60	5-	-2	
		900	5H	1.2	4.6	12	12	17	4.85	5.25	21.8	32	28.4	14.2	40	5-5177986-1	
		550	6H	2.6	5.6	12	16	17	5.85	6.25	69.8	88	84.4	42.2	160	9-5177986-8	
		550	6H	2.6	5.6	12	16	17	5.85	6.25	53.8	72	68.4	34.2	120	9-5177986-5	
		550	6H	2.6	5.6	12	16	17	5.85	6.25	61.8	88	84.4	42.2	140	9-5177986-2	
		800	6H	2.6	5.6	12	12	17	5.85	6.25	37.8	56	52.4	26.2	80	9-5177986-1	
		900	5H	1.2	4.6	12	12	17	4.85	5.25	37.8	56	52.4	26.2	80	8-5177986-3	
		450	7H	3.6	6.6	12	16	17	6.85	7.25	53.8	72	68.4	34.2	120	4-5177986-5	
										85.8				200	4-	-0	
										77.8	104	100.4	50.2	180	3-	-9	
										69.8				160	3-	-8	
										61.8	88	84.4	42.2	140	3-	-6	
										53.8				120	3-	-5	
		400								45.8	72	68.4	34.2	100	3-	-4	
										37.8	56	52.4	26.2	80	3-	-3	
										29.8	44	40.4	20.2	60	3-	-2	
		600	8H	4.6	7.6	12		7.85	8.25	21.8	32	28.4	14.2	40	3-5177986-1		
										85.8				200	3-	-0	
										77.8	104	100.4	50.2	180	2-	-9	
										69.8				160	2-	-8	
										61.8	88	84.4	42.2	140	2-	-6	
										53.8				120	2-	-5	
		450								45.8	72	68.4	34.2	100	2-	-4	
										37.8	56	52.4	26.2	80	2-	-3	
										29.8	44	40.4	20.2	60	2-	-2	
		700								21.8	32	28.4	14.2	40	2-5177986-1		
		500	7H	3.6	6.6	16		6.85	7.25	21.8	32	28.4	14.2	40	2-5177986-0		
										61.8	88	84.4	42.2	140	1-	-6	
										53.8				120	1-	-5	
										45.8	72	68.4	34.2	100	1-	-4	
										37.8	56	52.4	26.2	80	1-	-3	
										29.8	44	40.4	20.2	60	1-	-2	
		800	6H	2.6	5.6	12		5.85	6.25	21.8	32	28.4	14.2	40	1-5177986-1		
										85.8	104	100.4	50.2	200	1-5177986-0		
										69.8				160		-8	
										61.8	88	84.4	42.2	140		-6	
										53.8				120		-5	
										45.8	72	68.4	34.2	100		-4	
										37.8	56	52.4	26.2	80		-3	
										29.8	44	40.4	20.2	60		-2	
		900	5H	1.2	4.6	12	12	17	4.85	5.25	21.8	32	28.4	14.2	40	5177986-1	

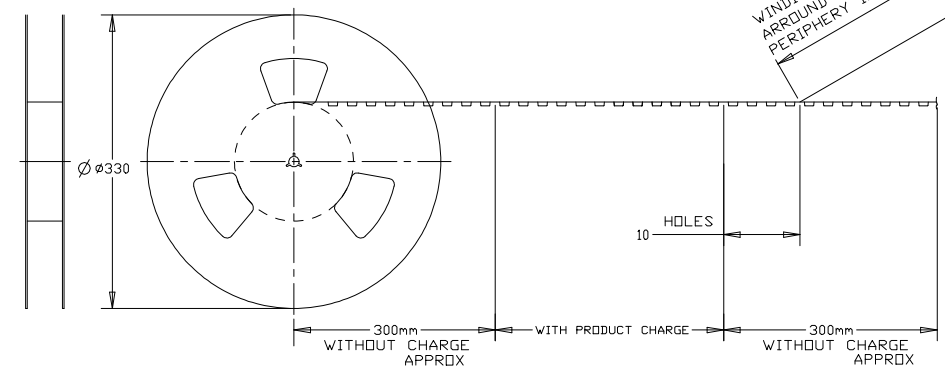
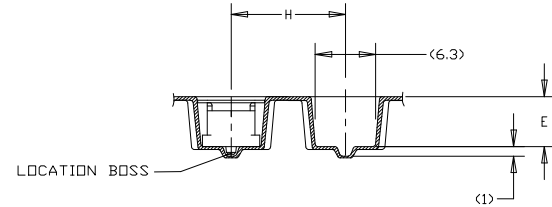
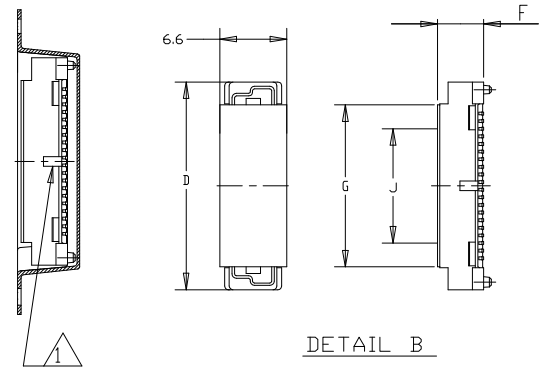
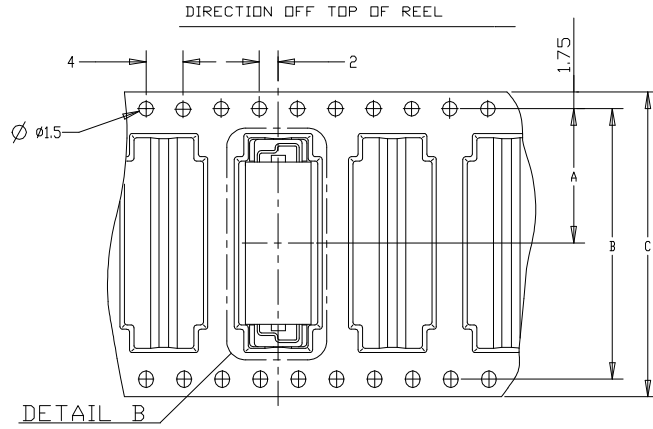
THIS DRAWING IS A CONTROLLED DOCUMENT.		DWN FLORENCE TAN 30AUG2004	TE Connectivity Ltd.
		CHK ERIC TNG 30MAY2012	
		APVD SE LEONG 30MAY2012	
		NAME	PLUG ASSEMBLY, FH 0.8 ON TAPING (EMBOSS) 0.5 BOSS LENGTH
		PRODUCT SPEC	
		APPLICATION SPEC	
		SIZE	A2
		CAGE CODE	00779
		DRAWING NO	C=5177986
		RESTRICTED TO	
		WEIGHT	
		CUSTOMER DRAWING	
		SCALE	1:1
		SHEET	1 of 6
		REV	F9

LOW HALOGEN

POLYIMIDE COVER

Notes:
△ 0.0002 MIN GOLD PLATING
(7.8μ INCHES GOLD PLATING)

REVISIONS					
P	LTR	DESCRIPTION	DATE	DWN	APVD
-	-	SEE SHEET 1	-	-	-



WINDING THE COVER TAPE AROUND THE OUTER PERIPHERY IN A TURN.

REMARKS	QTY	WEIGHT TYPE	Y	X	J	H	G	F	E	D	C	B	A	POS	SALEABLE PART NO.
△	800	6H	2.6	5.6	12	12	17	5.85	6.25	37.8	56	52.4	26.2	80	9-5177986-3
	650	5H	1.2	4.6	12	16	17	4.85	5.25	61.8	88	84.4	42.2	140	9-5177986-6

THIS DRAWING IS A CONTROLLED DOCUMENT.		DWN FLORENCE TAN 30AUG2004	TE Connectivity Ltd.	
		D/K ERIC TNG 30MAY2012		
DIMENSIONS: mm		APVD SE LEONG 30MAY2012		NAME
TOLERANCES UNLESS OTHERWISE SPECIFIED:		PRODUCT SPEC		PLUG ASSEMBLY, FH 0.8 ON TAPING (EMBOSS) 0.5 BOSS LENGTH
0 PLC ± - 1 PLC ± 0.2 2 PLC ± 0.15 3 PLC ± 0.1 4 PLC ± - 3°		APPLICATION SPEC		SIZE A2
MATERIAL SEE NOTE		FINISH SEE NOTE		CAGE CODE 00779
		WEIGHT -		DRAWING NO C=5177986
		CUSTOMER DRAWING		RESTRICTED TO -
		SCALE 1:1		SHEET 2 of 6
				REV F9

4

3

2

1

© - TE Connectivity. All Rights Reserved.

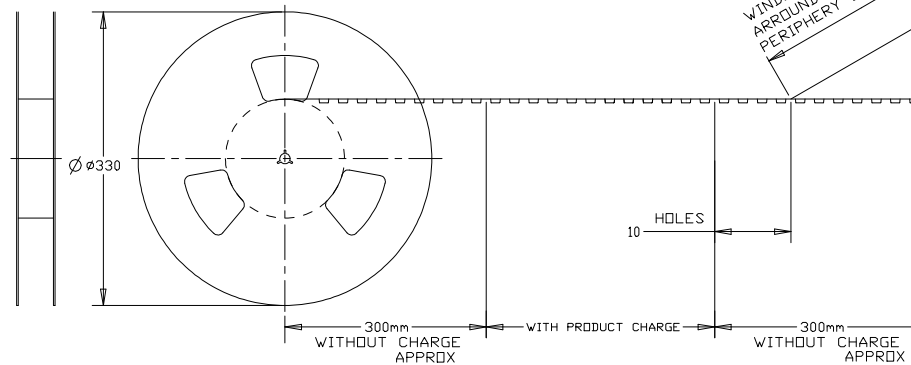
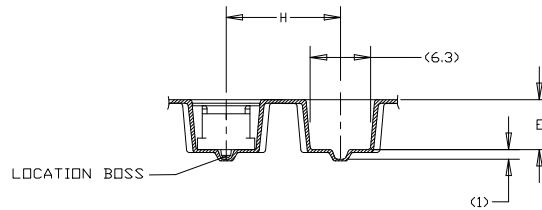
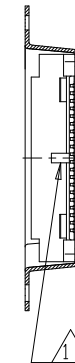
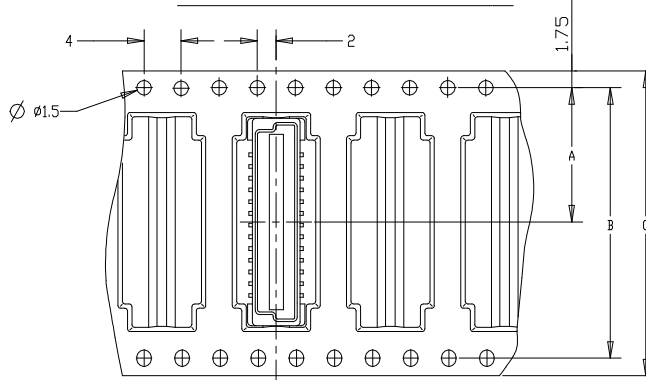
REVISIONS					
P	LTR	DESCRIPTION	DATE	DWN	APVD
-	-	SEE SHEET 1	-	-	-

LOW HALOGEN


WITHOUT COVER

Notes:
 0.00038 MIN GOLD PLATING
 (15u INCHES GOLD PLATING)


DIRECTION OFF TOP OF REEL



WINDING THE COVER TAPE
 AROUND THE OUTER
 PERIPHERY IN A TURN.

	650	5H	1.2	4.6	16	5.25	88	84.4	42.2	160	8-5177986-8
	650	5H	1.2	4.6	16	5.25	72	68.4	34.2	120	8-5177986-5
REMARKS	QTY	WEIGHT TYPE	Y	X	H	E	C	B	A	POS	SALEABLE PART NO.

1471-9 (1/15)

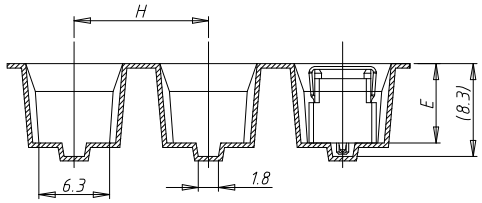
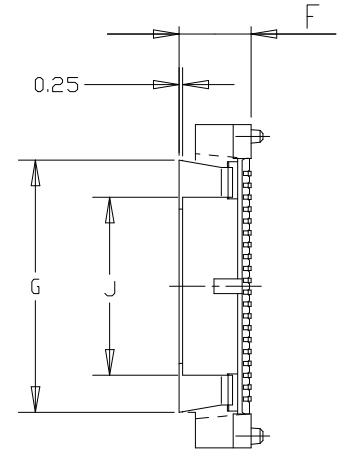
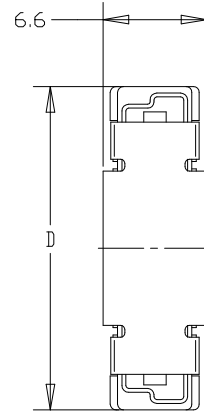
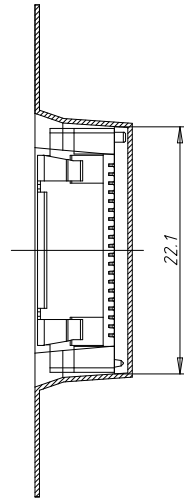
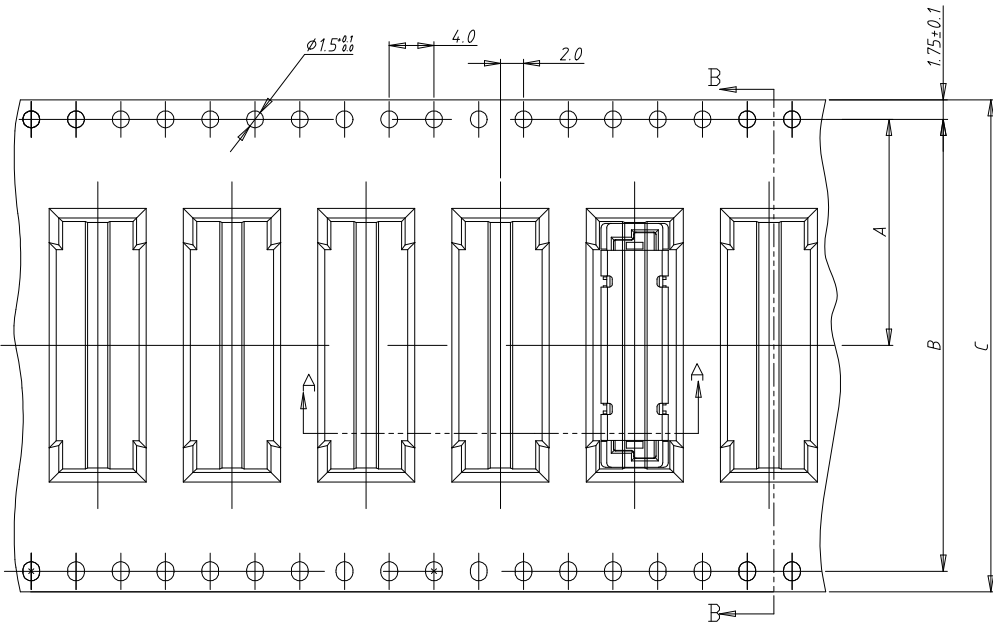
THIS DRAWING IS A CONTROLLED DOCUMENT.		DWN: FLORENCE TAN 30AUG2004	 TE Connectivity Ltd.																			
		CHK: ERIC TNG 30MAY2012																				
DIMENSIONS: mm		APVD: SE LEONG 30MAY2012	NAME: PLUG ASSEMBLY, FH 0.8 ON TAPING (EMBOSS) 0.5 BOSS LENGTH																			
TOLERANCES UNLESS OTHERWISE SPECIFIED:		PRODUCT SPEC: 108-5390	SIZE: A2																			
<table border="0"> <tr><td>0 PLC</td><td>±</td><td>-</td></tr> <tr><td>1 PLC</td><td>±</td><td>0.2</td></tr> <tr><td>2 PLC</td><td>±</td><td>0.15</td></tr> <tr><td>3 PLC</td><td>±</td><td>0.1</td></tr> <tr><td>4 PLC</td><td>±</td><td>-</td></tr> <tr><td>ANGLES</td><td>±</td><td>3'</td></tr> </table>		0 PLC	±	-	1 PLC	±	0.2	2 PLC	±	0.15	3 PLC	±	0.1	4 PLC	±	-	ANGLES	±	3'	APPLICATION SPEC: -	DRAWING NO: C=5177986	
0 PLC	±	-																				
1 PLC	±	0.2																				
2 PLC	±	0.15																				
3 PLC	±	0.1																				
4 PLC	±	-																				
ANGLES	±	3'																				
MATERIAL: SEE NOTE		FINISH: SEE NOTE	WEIGHT: -	RESTRICTED TO: -																		
		CUSTOMER DRAWING	SCALE: 1:1	SHEET: 3 of 6																		
			REV: F9																			

5177986

REVISIONS					
P	LTR	DESCRIPTION	DATE	DWN	APVD
-	-	SEE SHEET 1	-	-	-

LOW HALOGEN
WITH COVER

USER DIRECTION OF UNREELING →



A-A

B-B

5177986

30u" Au	700	7H	3.6	6.6	12	12	17	6.85	7.1	21.8	44	40.4	20.2	40	7-5177986-7
REMARKS	QTY	HEIGHT TYPE	Y	X	J	H	G	F	E	D	C	B	A	POS	SALEABLE PART NO.

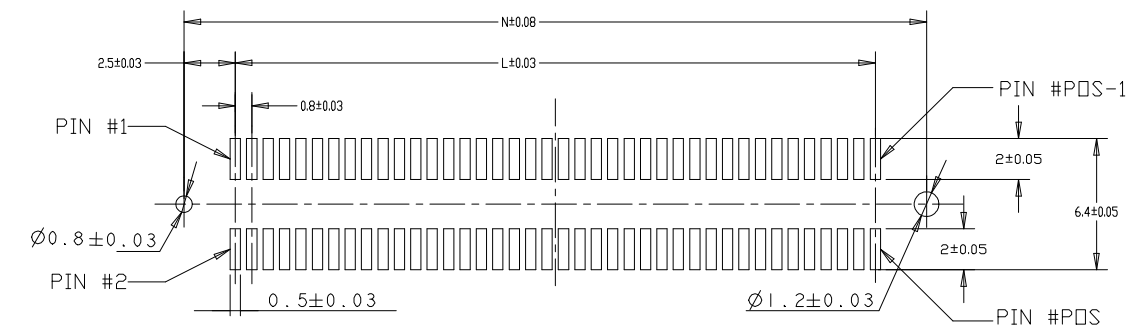
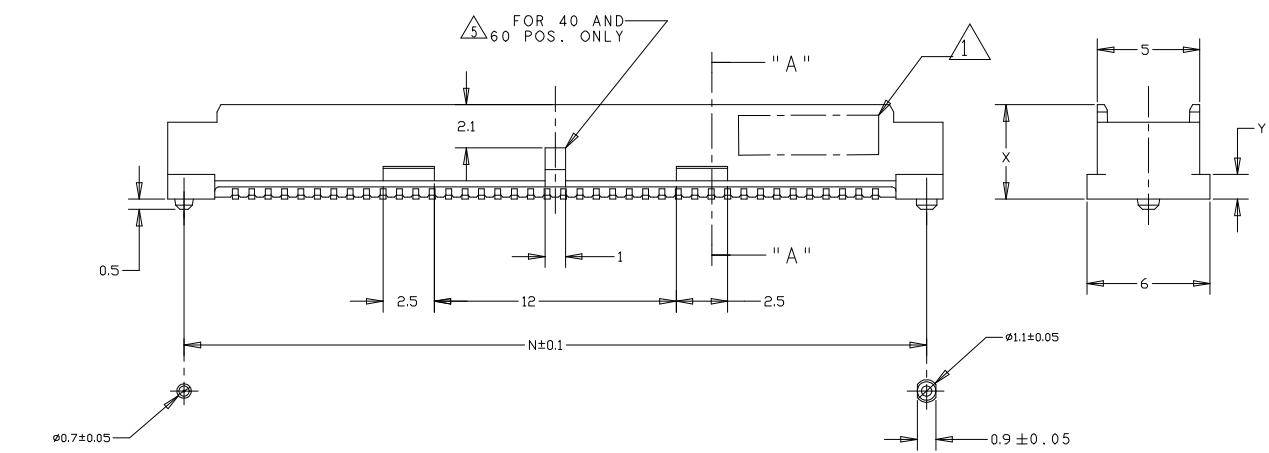
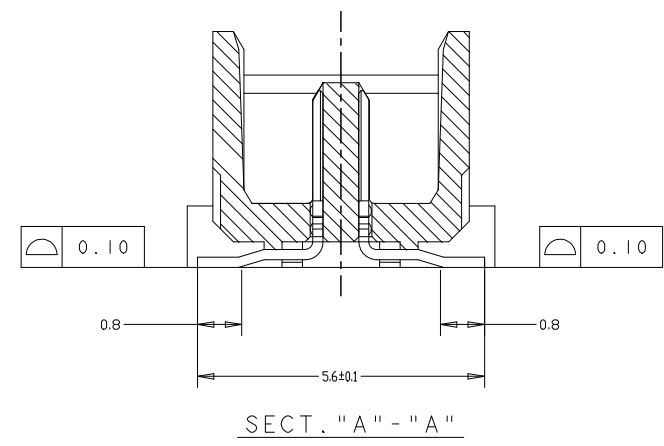
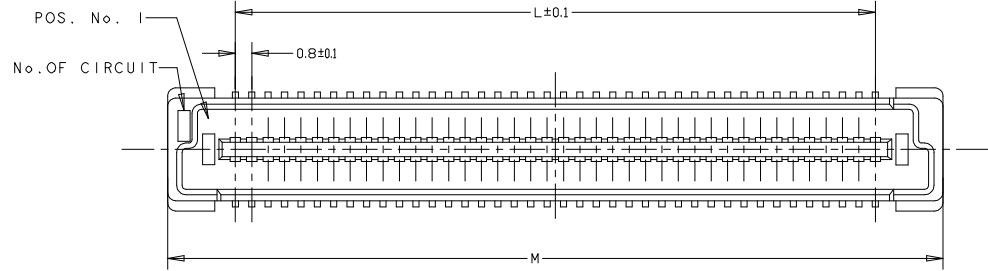
THIS DRAWING IS A CONTROLLED DOCUMENT.

DIMENSIONS: mm	TOLERANCES UNLESS OTHERWISE SPECIFIED:	DWN: FLORENCE TAN 30AUG2004	ERIC TNG	TE Connectivity Ltd.
0 PLC ± -	1 PLC ± 0.2	CHK: 30MAY2012	SE LEONG	NAME: PLUG ASSEMBLY, FH 0.8 ON TAPING (EMBOSS) 0.5 BOSS LENGTH
2 PLC ± 0.15	3 PLC ± 0.1	APVD: 30MAY2012	PRODUCT SPEC: 108-5390	SIZE: A2
4 PLC ± -	ANGLES ± 3'	APPLICATION SPEC: -	WEIGHT: -	CAGE CODE: 00779
MATERIAL: SEE NOTE	FINISH: SEE NOTE	CUSTOMER DRAWING	SCALE: 1:1	DRAWING NO: C=5177986
			SHEET: 4 of 6	REV: F9

REVISIONS					
P	LTR	DESCRIPTION	DATE	DWN	APVD
-	-	SEE SHEET 1	-	-	-

LOW HALOGEN

CONNECTOR ONLY



RECOMMENDED P.C. BOARD LAYOUT

84.2	85.8	79.2	200
76.2	77.8	71.2	180
68.2	69.8	63.2	160
60.2	61.8	55.2	140
52.2	53.8	47.2	120
44.2	45.8	39.2	100
36.2	37.8	31.2	80
28.2	29.8	23.2	60
20.2	21.8	15.2	40
N	M	L	POS.

5177986

THIS DRAWING IS A CONTROLLED DOCUMENT.

DWN: FLORENCE TAN 30AUG2004	TE Connectivity Ltd.	
CHK: ERIC TNG 30MAY2012	TE Connectivity Ltd.	
APVD: SE LEONG 30MAY2012	NAME: PLUG ASSEMBLY, FH 0.8 ON TAPING (EMBOSS) 0.5 BOSS LENGTH	
PRODUCT SPEC: 108-5390	SIZE: A2	CAGE CODE: 00779
APPLICATION SPEC: -	DRAWING NO: C=5177986	RESTRICTED TO: -
MATERIAL: SEE NOTE	WEIGHT: -	SCALE: 1:1
FINISH: SEE NOTE	CUSTOMER DRAWING	SHEET: 5 of 6
		REV: F9