



# Product Change Notification

<b>Date Issued :</b>	March 21, 2022	<b>PCN Number :</b>	511588
<b>Reason for Change :</b>	Capacity change or tool replacement		
<b>Description of Change :</b>	Due to OEM increase in product, we are experiencing extremely high demand beyond our capacity to respond within lead time. Molex is expediting capacity component tooling to increase output.		
<b>Reason for Short Notice :</b>	Capacity Increase		
<b>Assessment of Change :</b>	First Article Inspection Dimension analysis		
<b>Planned Implementation Date :</b>	May 08, 2022		
<b>Sample Availability Date:</b>	May 07, 2022		
<b>Internal Molex Qualification Date :</b>	April 14, 2022		
<b>Last date to request Samples by Customer :</b>	May 01, 2022		
<b>Traceability Code Markings / Date :</b>	Product made after planned implementation date can contain the change		

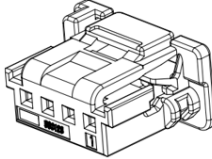
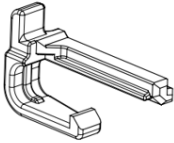
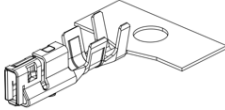
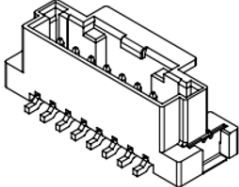
Before Picture

## Overview

- Due to OEM increase in product, we are experiencing extremely high demand beyond our capacity to respond within lead time. Molex is expediting capacity component tooling to increase output.
- Product Impact
  - “no impact to fit, form or function”
- Part Number Impact
  - Please refer attached impacted part list.
- Qualification Reports and samples available from 7th of Mar.
- PPAP will be available on 27/03/2022.
  - If PPAP requested, disposition response required within 5 days of submit date or it will be considered approved.
  - If no PPAP requested by 31/03/2022, the PPAP will be considered approved.

After Picture

- Affected products as shown below,

<b>Receptacle</b> <b>560123</b> <b>560235</b>	<b>ISL</b> <b>560125</b> <b>560237</b>	<b>Terminal</b> <b>560124</b> <b>560236</b>	<b>Vertical</b> <b>Assembly line</b> <b>560020</b> <b>560234</b>
			

# RELEASED

You may address inquires regarding this PCN by clicking on the below link  
[mailto:pcn\\_coordinator@molex.com?subject=PCN\\_Notification:511588](mailto:pcn_coordinator@molex.com?subject=PCN_Notification:511588)  
 or contact your Local Sales Engineer.

Note: While responding, please retain " PCN Notification : **PCN Notification: 511588** " in the e-mail Subject line for faster response.

**Molex, LLC**  
 2222 Wellington Court  
 Lisle, IL 60532  
 TEL (800) 786-6539  
[www.molex.com](http://www.molex.com)

**PCN No Part List**

511588 [0686030460](#)  
511588 [2183221061](#)  
511588 [5600200220](#)  
511588 [5600200221](#)  
511588 [5600200222](#)  
511588 [5600200223](#)  
511588 [5600200420](#)  
511588 [5600200421](#)  
511588 [5600200422](#)  
511588 [5600200423](#)  
511588 [5600200620](#)  
511588 [5600200621](#)  
511588 [5600200622](#)  
511588 [5600200623](#)  
511588 [5600200820](#)  
511588 [5600200821](#)  
511588 [5600200822](#)  
511588 [5600200823](#)  
511588 [5601230300](#)  
511588 [5601230301](#)  
511588 [5601230302](#)  
511588 [5601230304](#)  
511588 [5601230400](#)  
511588 [5601230401](#)  
511588 [5601230402](#)  
511588 [5601230404](#)  
511588 [5601240101](#)  
511588 [5601240201](#)  
511588 [5601250400](#)  
511588 [5601251000](#)  
511588 [5602340220](#)  
511588 [5602340420](#)  
511588 [5602340620](#)  
511588 [5602340820](#)  
511588 [5602360101](#)  
511588 [5602360201](#)