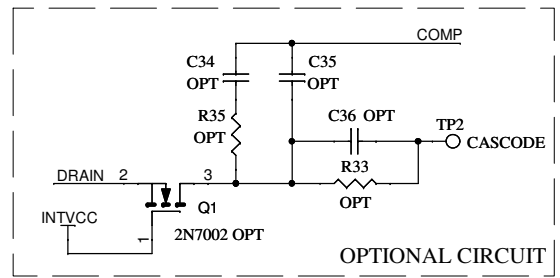
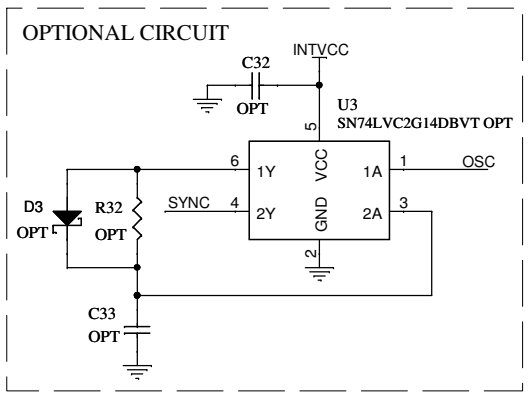
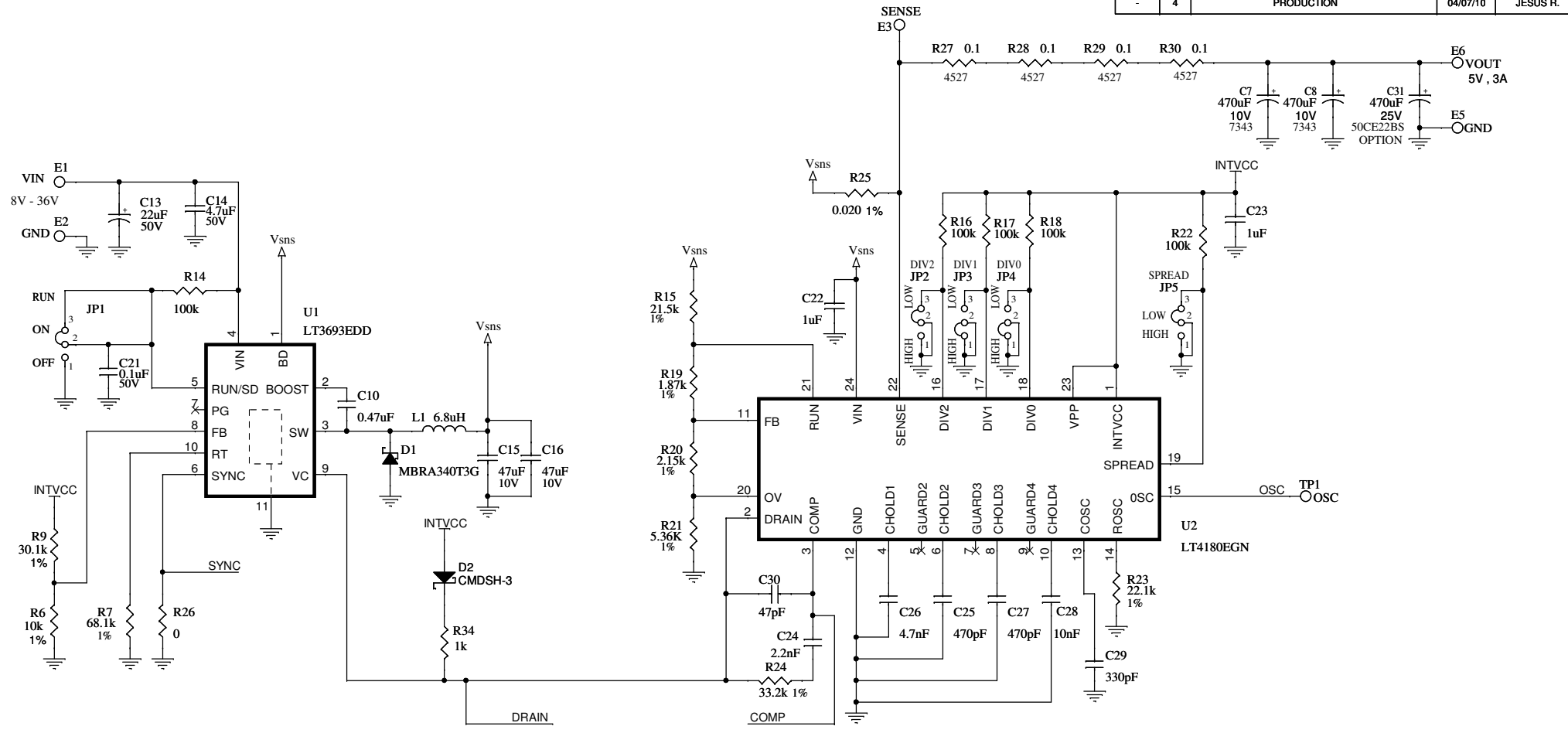


REVISION HISTORY				
ECO	REV	DESCRIPTION	DATE	APPROVED
-	4	PRODUCTION	04/07/10	JESUS R.



- NOTES: UNLESS OTHERWISE SPECIFIED,
 1. RESISTOR AND CAPTOR CASE SIZE IS 1206.
 2. INSTALL SHUNTS IN LOCATIONS INDICATE.

<p>CUSTOMER NOTICE</p> <p>LINEAR TECHNOLOGY HAS MADE A BEST EFFORT TO DESIGN A CIRCUIT THAT MEETS CUSTOMER-SUPPLIED SPECIFICATIONS; HOWEVER, IT REMAINS THE CUSTOMER'S RESPONSIBILITY TO VERIFY PROPER AND RELIABLE OPERATION IN THE ACTUAL APPLICATION. COMPONENT SUBSTITUTION AND PRINTED CIRCUIT BOARD LAYOUT MAY SIGNIFICANTLY AFFECT CIRCUIT PERFORMANCE OR RELIABILITY. CONTACT LINEAR TECHNOLOGY APPLICATIONS ENGINEERING FOR ASSISTANCE.</p>		<p>APPROVALS</p>		<p>1630 McCarthy Blvd. Milpitas, CA 95035 Phone: (408)432-1900 www.linear.com Fax: (408)434-0507 LTC Confidential-For Customer Use Only</p>	
		PCB DES.	MI		
<p>THIS CIRCUIT IS PROPRIETARY TO LINEAR TECHNOLOGY AND SUPPLIED FOR USE WITH LINEAR TECHNOLOGY PARTS.</p>		<p>SCALE = NONE</p>		<p>TITLE: SCHEMATIC 3A STEP-DOWN REGULATOR WITH VIRTUAL REMOTE SENSE</p>	
		<p>DATE: Monday, July 26, 2010</p>		<p>SIZE: N/A</p> <p>IC NO.: LT4180EGN</p> <p>DEMO CIRCUIT 1504A</p>	<p>REV. 4</p>