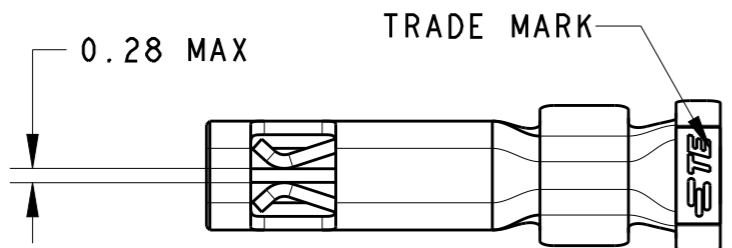
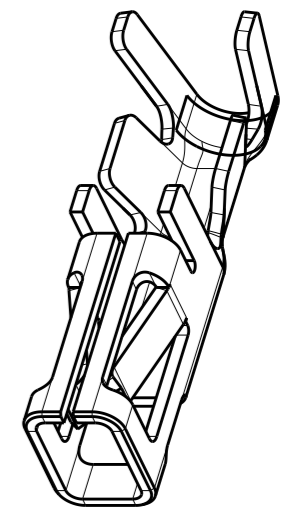
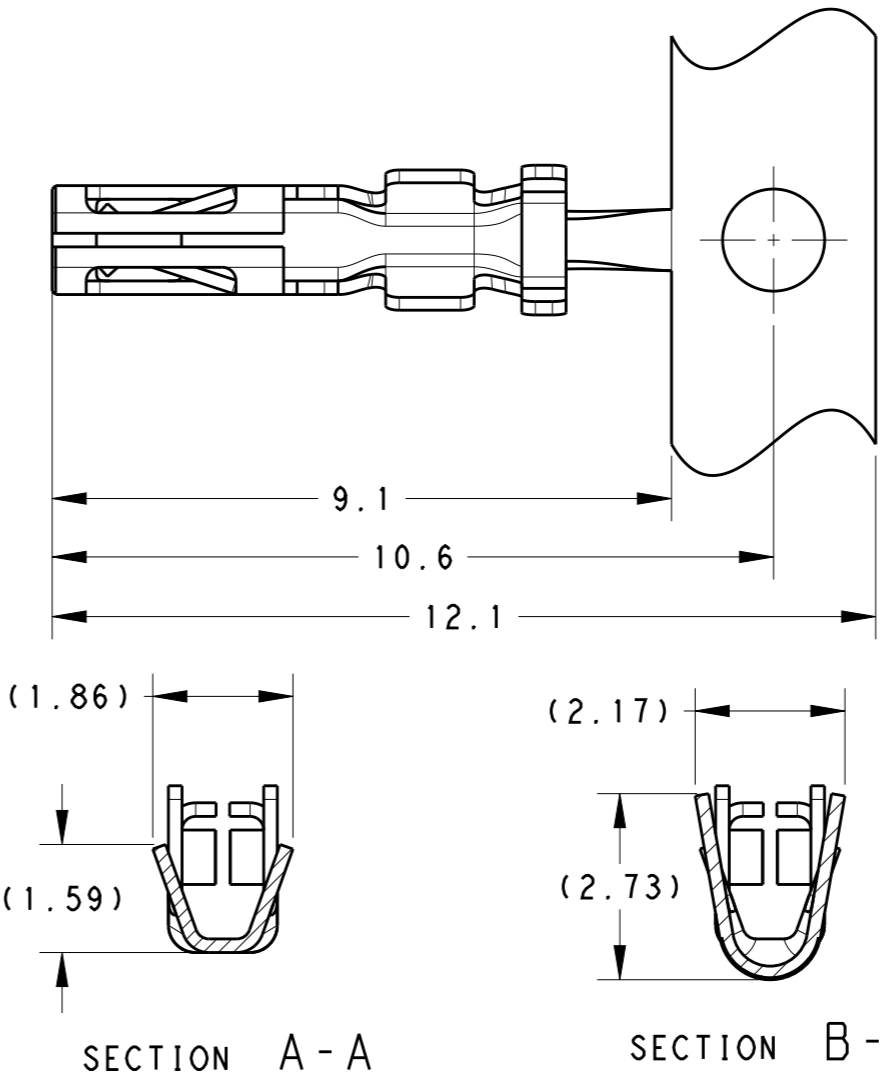
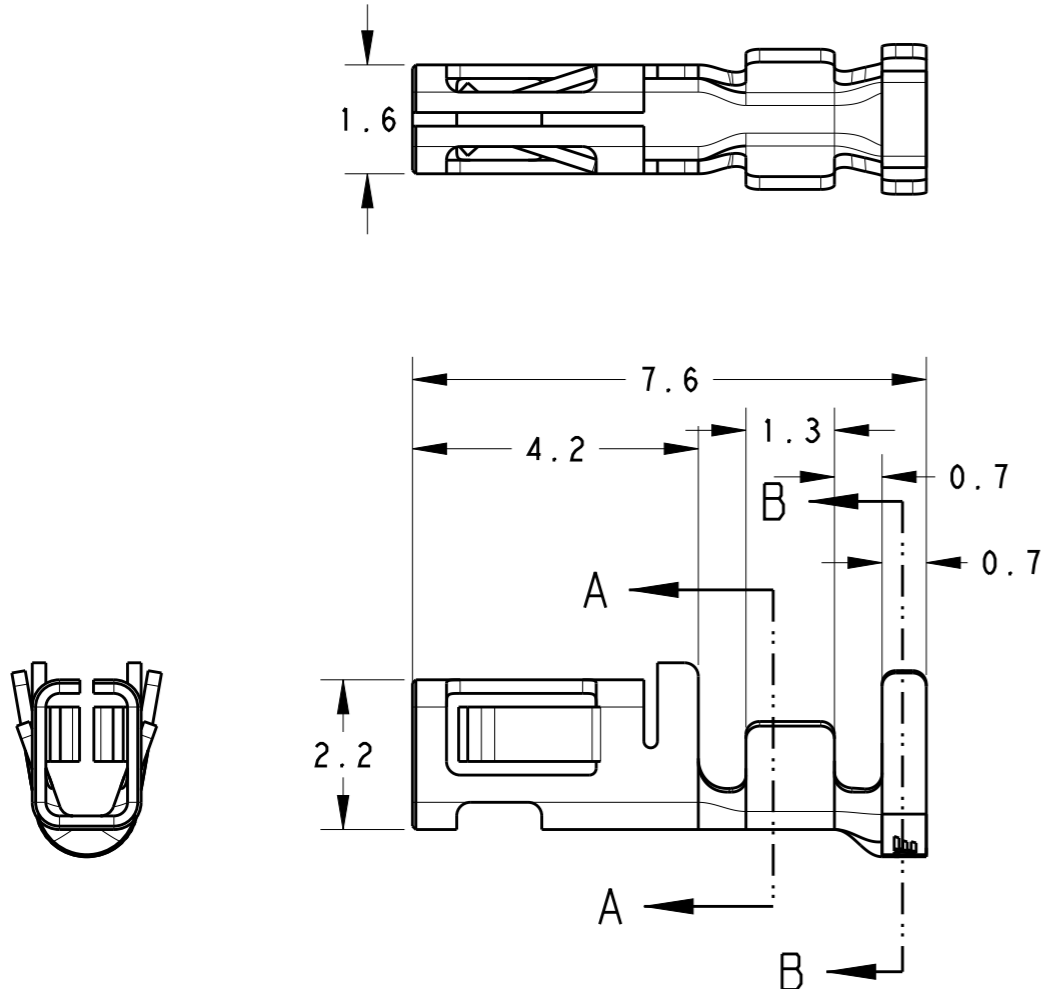


THIS DRAWING IS UNPUBLISHED. RELEASED FOR PUBLICATION
 © COPYRIGHT BY - TE CONNECTIVITY ALL RIGHTS RESERVED.

LOC	DIST	REVISIONS			
P	LTR	DESCRIPTION	DATE	DWN	APVD
-	-	A4	REVISED PER ECR-20-100273	13AUG2020	C.X D.Z



1. APPLICABLE PLUG HOUSING P/N: X-1971793-X

AWG#22~#28 0.079~0.38MM^2	1.08~1.50	PRE-TIN COPPER ALLOY	7	1971795-1
WIRE RANGE	INSULATION DIA	MATERIAL	APPL FEED	PART NO.

THIS DRAWING IS A CONTROLLED DOCUMENT.		DWN FEB 21, 2012 HAI JUN ZHANG		TE Connectivity	
DIMENSIONS: mm		CHK FEB 21, 2012 HAI JUN ZHANG			
TOLERANCES UNLESS OTHERWISE SPECIFIED:		APVD FEB 23, 2012 ERIC KONG		NAME RECEPTACLE CONTACT, 2.5 PITCH NEXT GENERATION GI CONNECTOR	
0 PLC ±0.3		PRODUCT SPEC 108-106077		SIZE A3	
1 PLC ±0.1		APPLICATION SPEC 114-106077		CAGE CODE -	
2 PLC ±0.1		WEIGHT 0.056g		DRAWING NO C-1971795	
3 PLC ±0.1		CUSTOMER DRAWING		RESTRICTED TO -	
4 PLC ±0.1		SCALE 9:1		SHEET 1 OF 1	
ANGLES ±0.1		REV A4			
FINISH -					