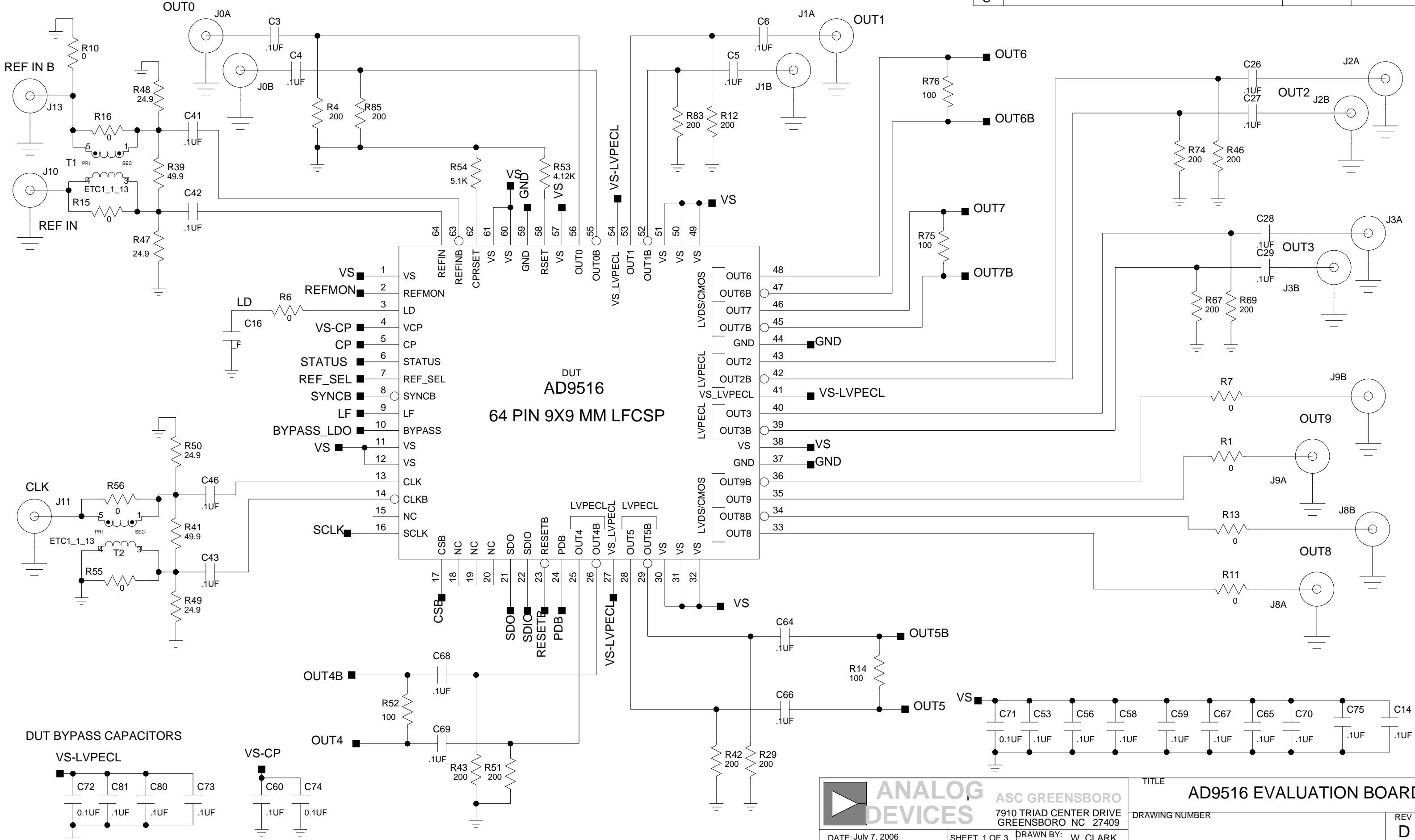


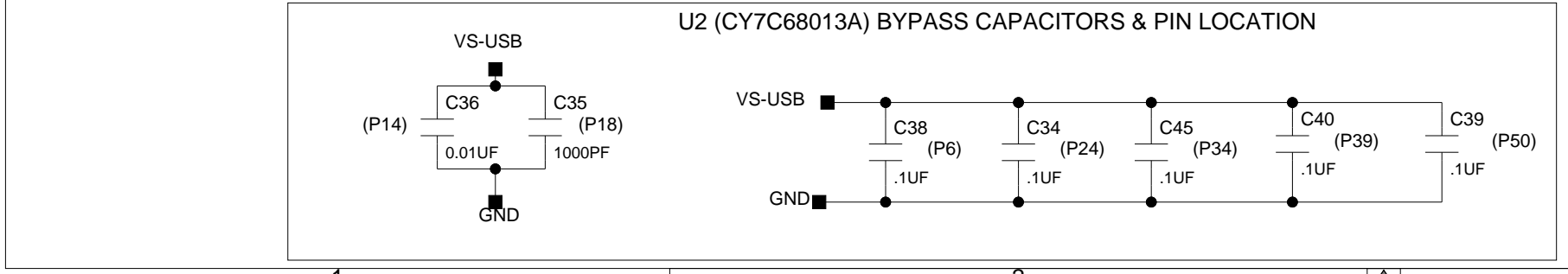
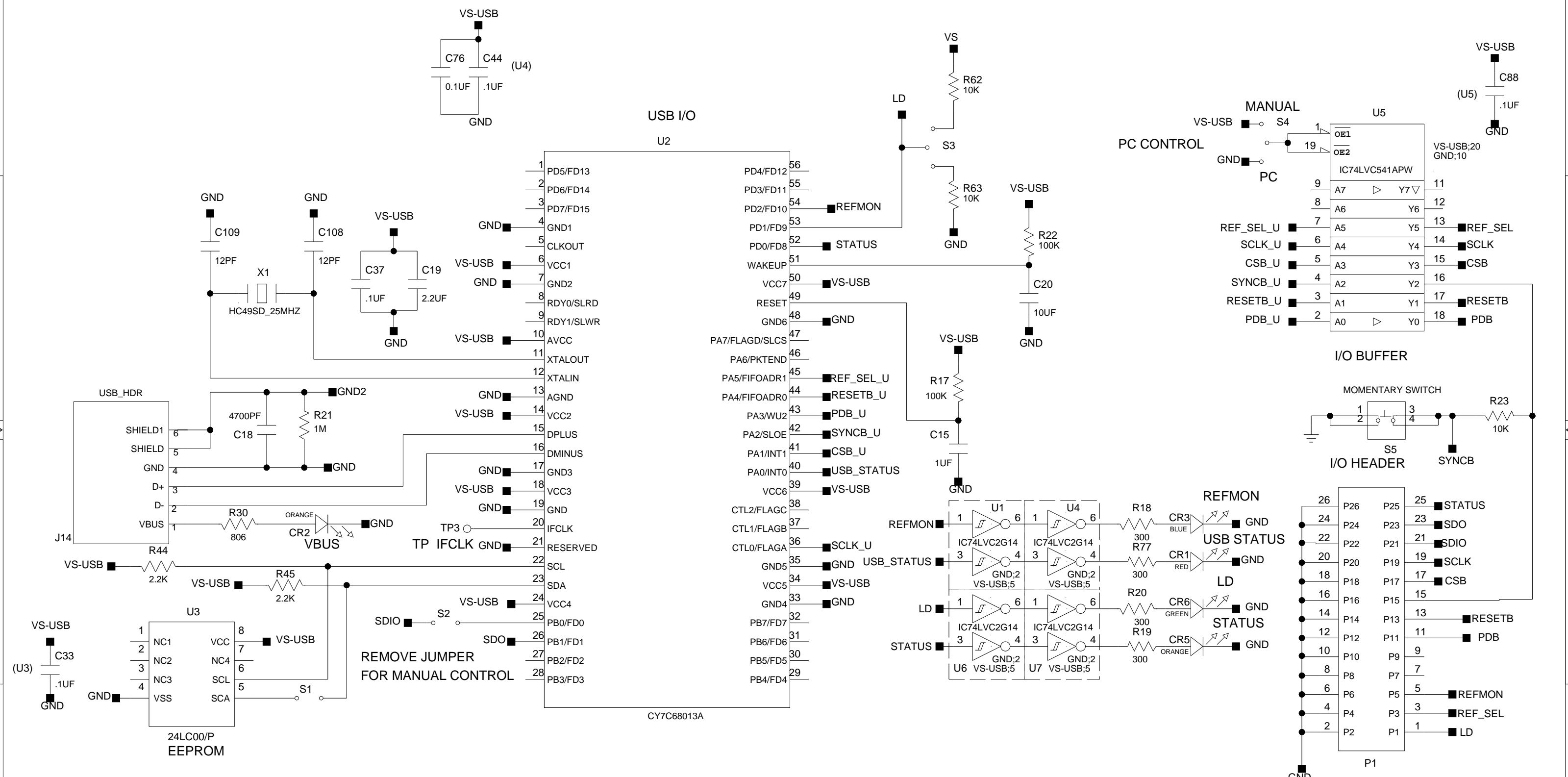
SOME TERMINATION COMPONENTS ARE OPTIONAL ONLY.  
REFER TO BOM(S) FOR TYPICAL COMPONENT INSTALLATION INFORMATION.


REVISIONS			
REV	DESCRIPTION	DATE	APPROVED
B	DESIGN CHANGES	14AUG2006	P.Nelson
C	POWER SUPPLY CHANGES	22SEP2006	P.Nelson



	<b>ASC GREENSBORO</b> 7910 TRIAD CENTER DRIVE GREENSBORO NC 27409	TITLE	<b>AD9516 EVALUATION BOARD</b>
	DATE: July 7, 2006	SHEET 1 OF 3	DRAWN BY: W. CLARK

REVISIONS			
REV	DESCRIPTION	DATE	APPROVED





ASC GREENSBORO  
7910 TRIAD CENTER DRIVE  
GREENSBORO NC 27409

TITLE: **AD9516 EVALUATION BOARD**

DRAWING NUMBER: \_\_\_\_\_

REV: **D**

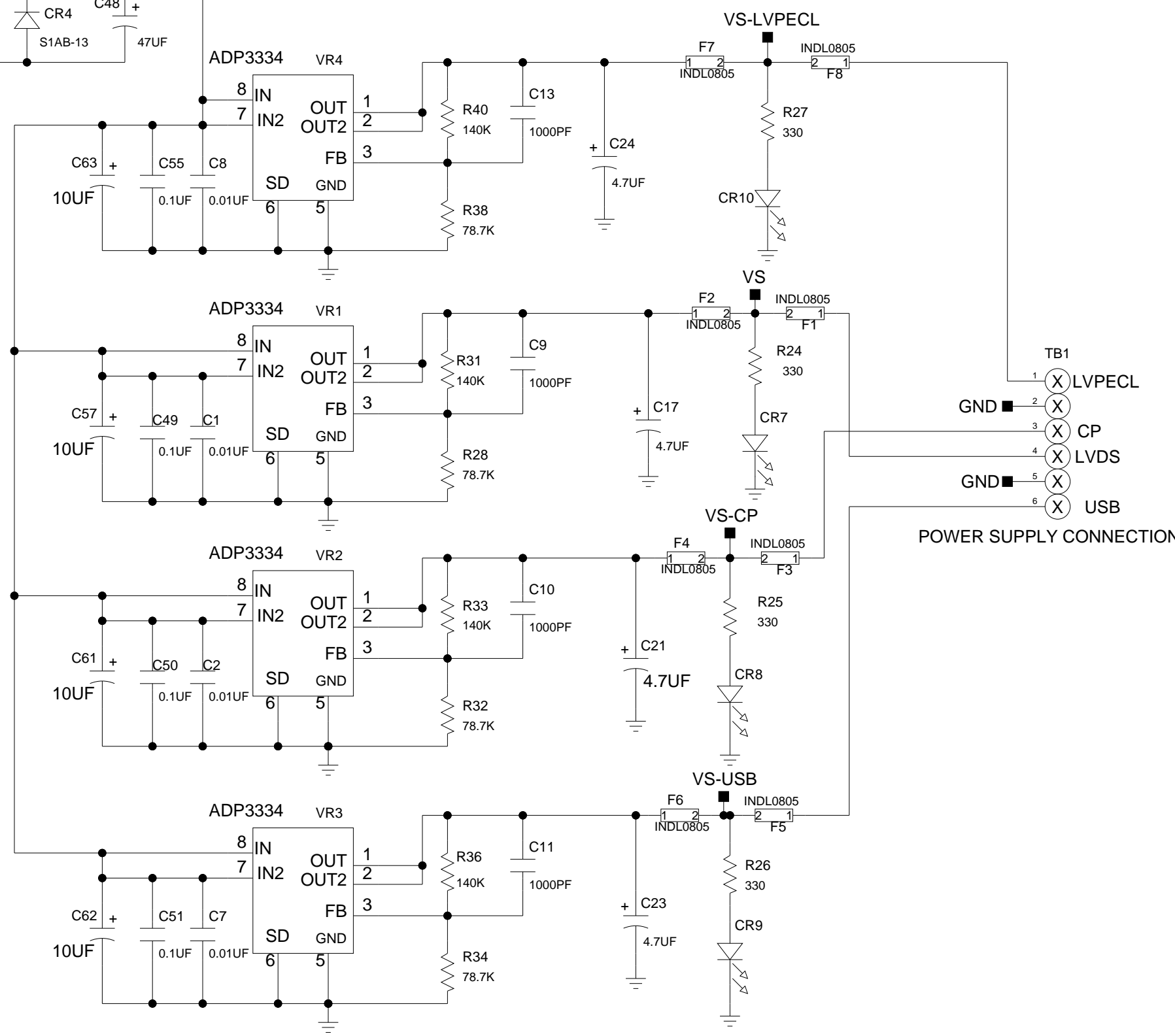
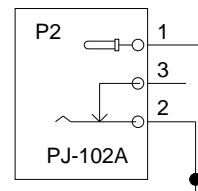
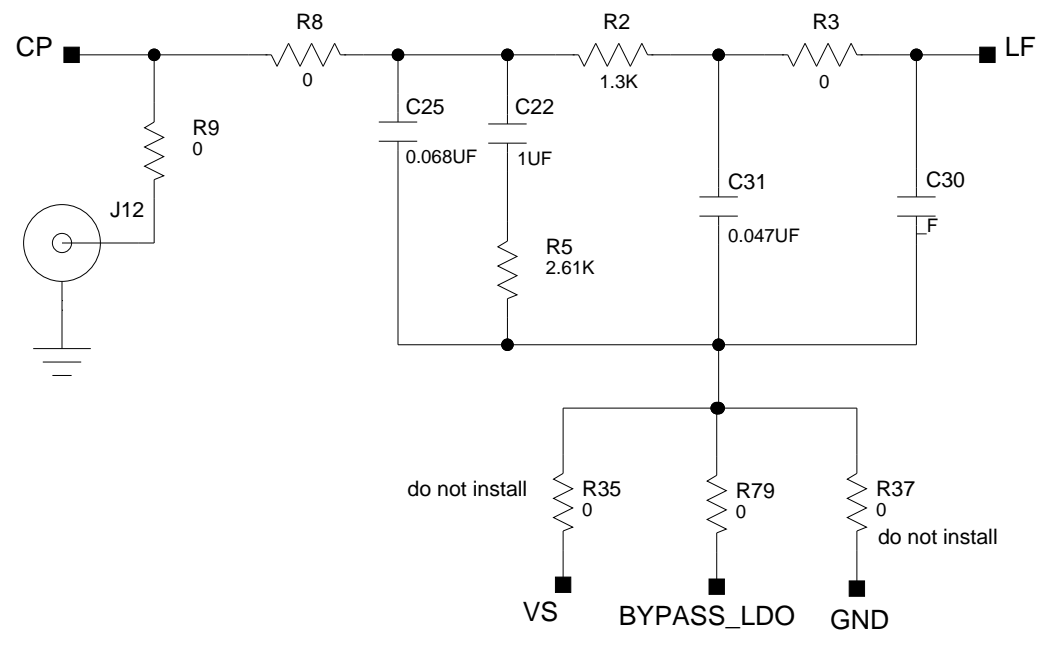
DATE: July 7, 2006

SHEET 2 OF 3

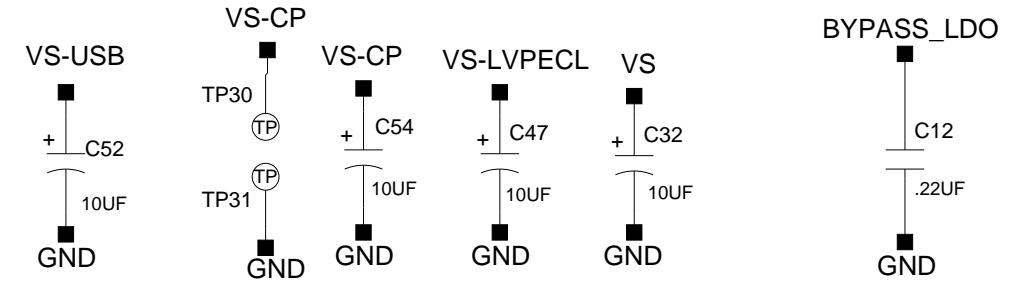
DRAWN BY: W. CLARK


REVISIONS			
REV	DESCRIPTION	DATE	APPROVED

CHARGE PUMP FILTER



POWER SUPPLY BYPASS CAPACITORS





**ASC GREENSBORO**  
7910 TRIAD CENTER DRIVE  
GREENSBORO NC 27409

TITLE: **AD9516 EVALUATION BOARD**

DRAWING NUMBER: \_\_\_\_\_

REV: **D**

DATE: MARCH 30, 2006

SHEET 3 OF 3

DRAWN BY: W. CLARK