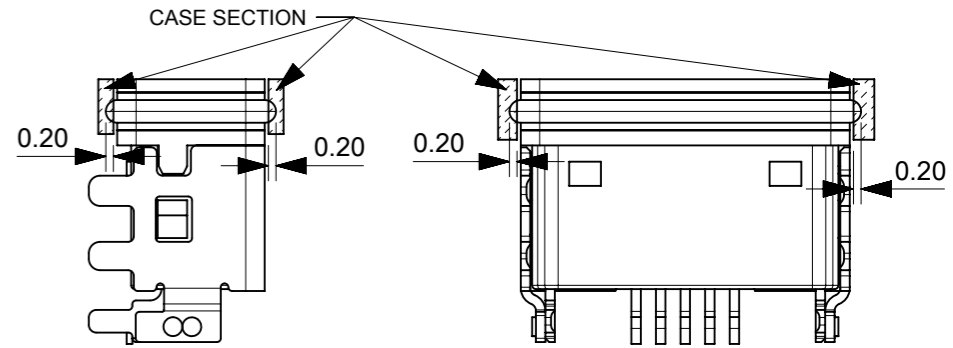


- NOTES:
- MATERIAL:  
HOUSING: LCP, BLACK, UL94V-0;  
TERMINAL: COPPER ALLOY, THICKNESS: 0.15mm;  
SHELL: STAINLESS STEEL, THICKNESS: 0.25mm;  
METAL TAB: STAINLESS STEEL, THICKNESS: 0.25mm;  
SEALING RING: SILICON RUBBER.
  - PLATING:  
TERMINAL: CONTACT AREA: GOLD FLASH OVER MINIMUM 0.75MICRON Pd/Ni;  
SOLDER TAIL AREA: GOLD FLASH; UNDER PLATING: NICKEL 2.0MICRON MINIMUM.  
SHELL/METAL TAB: 1.27MICRON MINIMUM SOLDERABLE NICKEL PLATING OVERALL.
  - TAIL COPLANARITY 0.08mm MAXIMUM.
  - PRODUCT SPECIFICATION: 2049260001.
  - PACKAGE SPECIFICATION: 2049263333.
  - PRODUCT MEET IP67 TEST REQUEST.
  - COMPLIANT TO ROHS DIRECTIVE 2011/65/EU AND ELV 2000/53/EC.



RECOMMENDED OPENING DIMENSIONS OF CASE MATING AREA WITH SEALING RING

WATERPROOF APPLICATION: CUSTOMER'S CASE NEED TO COMPRESS THE SEALING RING 0.20mm AROUND TO ACHIEVE THE IPX7.

2049261104	0.50±0.08
2049261103	1.00±0.12
PART NUMBER	DIM A

5	GND
4	ID
3	D+
2	D-
1	VBUS
PIN	NAME
PIN ASSIGNMENT	

QUALITY SYMBOLS A = 0 E = 0 EP = 0 V = 0 C = 0 X = 0 ■ = 0 V = 0		THIS DRAWING CONTAINS INFORMATION THAT IS PROPRIETARY TO MOLEX ELECTRONIC TECHNOLOGIES, LLC AND SHOULD NOT BE USED WITHOUT WRITTEN PERMISSION		DIMENSION UNITS: mm SCALE: 10:1			
EC NO: 601287 DRWN: TL197 CHK'D: RZHANG APPR: RZHANG		GENERAL TOLERANCES (UNLESS SPECIFIED) ANGULAR TOL ± 3.0 ° 4 PLACES ± 3 PLACES ± 2 PLACES ± 0.15 1 PLACE ± 0.25 0 PLACES ±		DRWN BY: TL197 DATE: 2017/05/26		SALES DRAWING FOR MICRO WATERPROOF USB	
DRAFT WHERE APPLICABLE MUST REMAIN WITHIN DIMENSIONS		DRAWING SIZE: A3 THIRD ANGLE PROJECTION		APPR BY: RZHANG DATE: 2017/08/01		PRODUCT CUSTOMER DRAWING	
RELEASE STATUS: P1 RELEASE DATE: 2018/07/16 TIME: 12:53:30		SERIES: 204926 MATERIAL NUMBER: SEE TABLE CUSTOMER:		DOCUMENT NUMBER: 2049261111 DOC TYPE: PSD DOC PART: 000 SHEET NUMBER: 1 OF 1		PRODUCT CUSTOMER DRAWING	