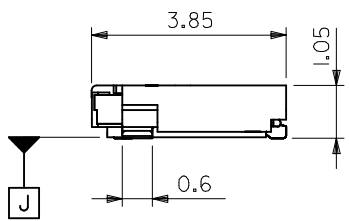
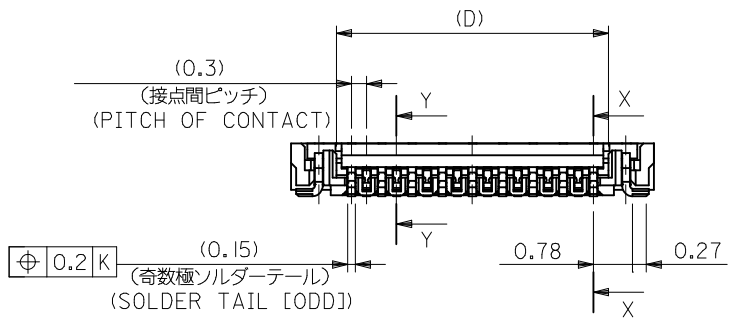


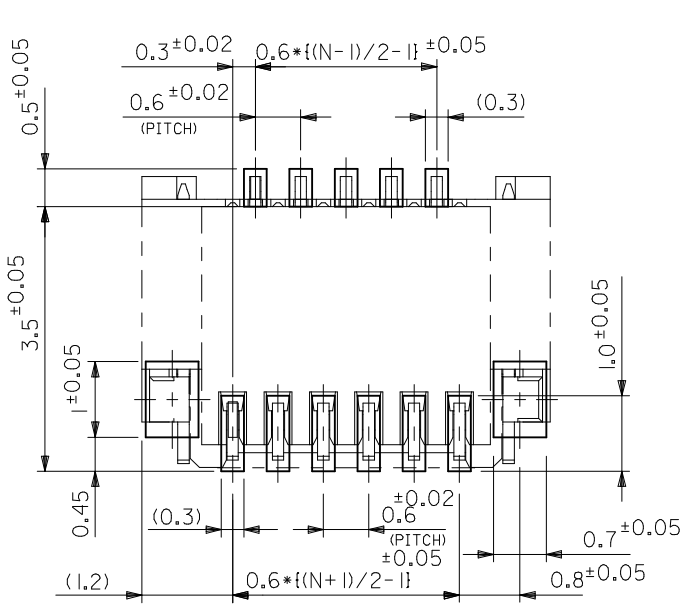
アクチュエータを開口した状態  
WHEN ACTUATOR IS OPENED



|      |     |     |      |                                   |              |      |
|------|-----|-----|------|-----------------------------------|--------------|------|
| 10.2 | 9.0 | 9.6 | 12.0 | 500797-3394                       | 500797-3350  | 33   |
| 9.6  | 8.4 | 9.0 | 11.4 | 500797-3194                       | 500797-3150  | 31   |
| 8.4  | 7.2 | 7.8 | 10.2 | 500797-2794                       | 500797-2750  | 27   |
| 7.2  | 6.0 | 6.6 | 9.0  | 500797-2394                       | 500797-2350  | 23   |
| 3.6  | 2.4 | 3.0 | 5.4  | 500797-1194                       | 500797-1150  | 11   |
| D    | C   | B   | A    | EMBOSSED TAPE<br>ORDER No. オーダー番号 | MATERIAL NO. | CKT. |



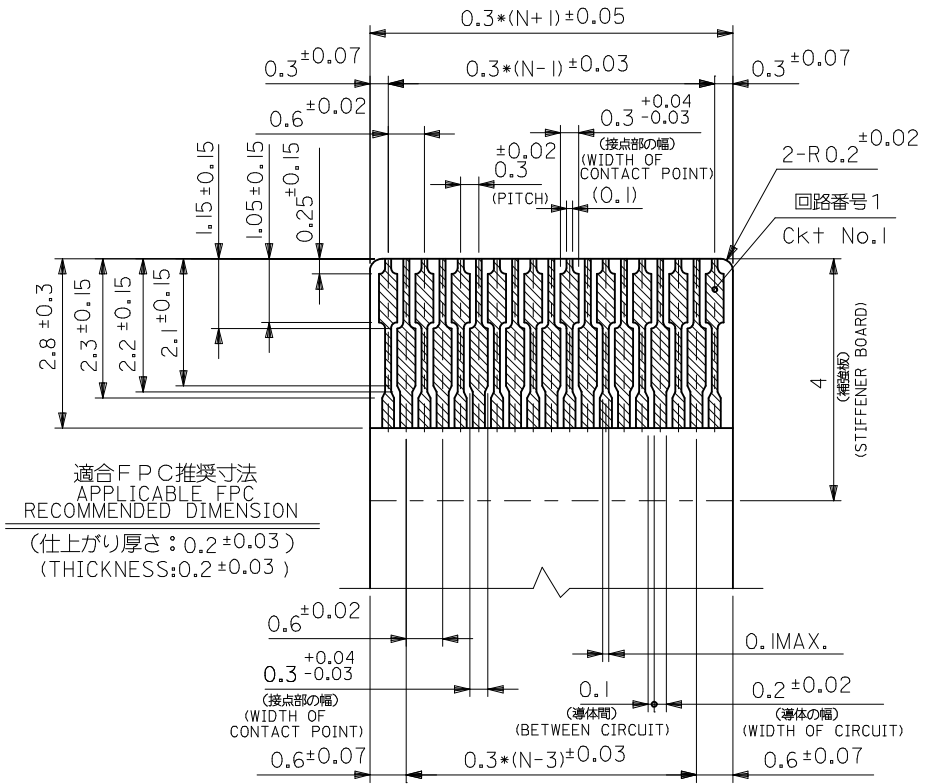
|  |                                       |           |  |                       |   |  |                        |
|--|---------------------------------------|-----------|--|-----------------------|---|--|------------------------|
| REVISED<br>EC NO: J2016-1099<br>DRWN:MTAKAHASHI 2016/04/19<br>CHKD:KTAHAKASHI 2016/04/26<br>APPR:KUSUHARA01 2016/04/28 | GENERAL TOLERANCES (UNLESS SPECIFIED) |           | DIMENSION STYLE<br>MM ONLY                           |                       | SCALE<br>---  | DESIGN UNITS<br>METRIC   | THIRD ANGLE PROJECTION |
|  | 0.25 UNDER                            | UNDER     | ±0.03  | DRAWN BY<br>YMAEDA    | DATE<br>2006/03/07  | TITLE<br>0.3 FPC CONN E/O HSG<br>ASSY (HGT=1.05MM)<br>GOLD PLATING -LEAD FREE- |                        |
|  | 0.25 OVER                             | 0.5 UNDER | ±0.05  | CHECKED BY<br>MTANAKA | DATE<br>2006/03/07  | <b>molex</b><br>DOCUMENT NO. SD-500797-005<br>SHEET NO. 1 OF 2                 |                        |
|  | 0.5 OVER                              | 1.0 UNDER | ±0.1   | APPROVED BY<br>NUKITA | DATE<br>2006/03/07  |  |                        |
|  | 1.0 OVER                              | 10 UNDER  | ±0.2   | MATERIAL NO.          |   | SEE TABLE  |                        |
| 30 OVER  |                                       | ±0.25     | SIZE<br>A3   |                       | THIS DRAWING CONTAINS INFORMATION THAT IS PROPRIETARY TO MOLEX ELECTRONIC TECHNOLOGIES, LLC AND SHOULD NOT BE USED WITHOUT WRITTEN PERMISSION |  |                        |
|  | ANGULAR                               | ±3 °      | DRAFT WHERE APPLICABLE MUST REMAIN WITHIN DIMENSIONS |                       |   |  |                        |



参考基板レイアウト図  
(マウント面)  
(MOUNTING SIDE)

注記 NOTES

1. 使用材料 MATERIAL  
 ハウジング : 液晶ポリマー ガラス充填 UL94V-0  
 HOUSING : LIQUID CRYSTAL POLYMER (GLASS FILLED) UL94V-0  
 アクチュエータ : 46 ナイロン ガラス充填 UL94V-0  
 ACTUATOR : 46 NYLON (GLASS FILLED) UL94V-0  
 ターミナル : 銅合金 (t=0.15), ニッケル下地金メッキ  
 TERMINAL : COPPER ALLOY, GOLD OVER NICKEL PLATING.  
 金具 : リン青銅 (t=0.15), ニッケル下地スズメッキ  
 FITTING NAIL : PHOSPHOR-BRONZE, TIN OVER NICKEL PLATING.  
 △ ソルダータール半田付け面のズレ量、及び金具半田付け面のズレ量は、基準面 □ に対し、  
 上方向 0.1MAXIMUM 下方向 0.15MAXIMUM とする。  
 又、相互のバラツキ量は 0.1MAXIMUM とする。  
 MISALIGNMENT OF SOLDER TAILS AND FITTING NAILS FROM □  
 UPPER DIRECTION : 0.1 MAXIMUM, LOWER DIRECTION : 0.15 MAXIMUM.  
 OFFSET BETWEEN SOLDER TAILS AND FITTING NAILS : 0.1 MAXIMUM.



適合FPC推奨寸法  
 APPLICABLE FPC  
 RECOMMENDED DIMENSION  
 (仕上がり厚さ: 0.2±0.03)  
 (THICKNESS: 0.2±0.03)

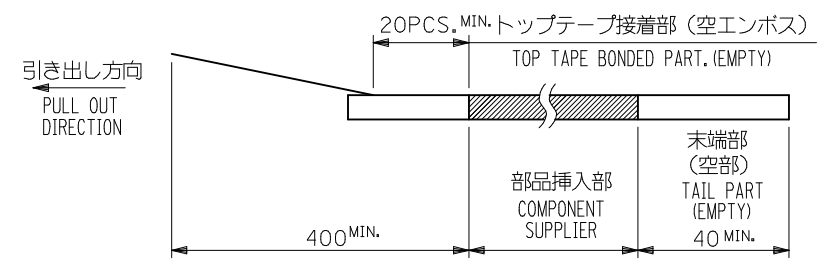
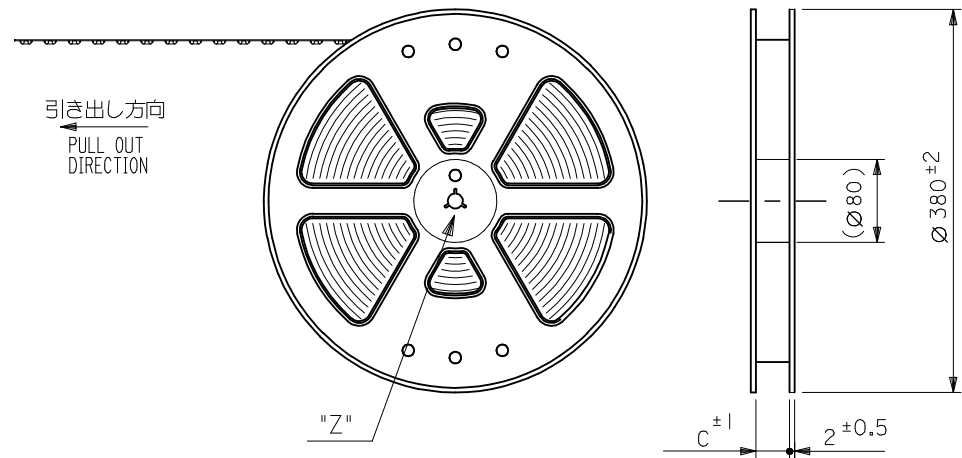
FPCについて:  
 打抜き方向は導体側から補強板側を推奨いたします。  
 導体部については軟銅箔35マイクロメートルまたは50マイクロメートルを  
 推奨致します。  
 補強フィルム材質はポリイミドを推奨します。  
 接着剤は熱硬化接着剤を推奨します。

ABOUT FPC  
 RECOMMENDED PUNCHER DIRECTION : FROM CONDUCTOR SIDE TO STIFFENER FILM SIDE.  
 RECOMMENDED CONDUCTOR SPEC :  
 THICKNESS OF SOFT COPPER FOIL : 35 MICROMETER OR 50 MICROMETER  
 RECOMMENDED MATERIAL :  
 STIFFENER FILM : POLYIMIDE  
 BONDING AGENT : THERMOSETTING BONDING AGENT

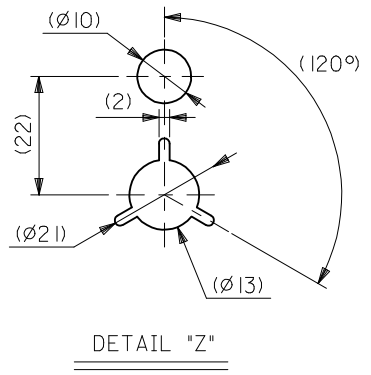
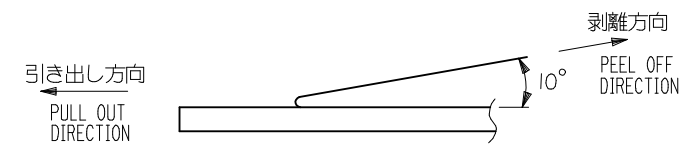
|   |  |           |  |                       |   |  |                          |
|---|--|-----------|--|-----------------------|---|--|--------------------------|
| REVISED<br>EC NO: J2016-1099<br>DRWN:MTAKAHASHI 2016/04/19<br>CHKD:KATAHASHI 2016/04/26<br>APPR:TKUJHARA01 2016/04/28 | GENERAL TOLERANCES<br>(UNLESS SPECIFIED) |           | DIMENSION STYLE<br>MM ONLY                                 |                       | SCALE<br>---  | DESIGN UNITS<br>METRIC   | MODEL NO.<br>500797-**50 |
|   | 0.25 UNDER                               | UNDER     | ±0.03  | DRAWN BY<br>YMAEDA    | DATE<br>2006/03/06  | TITLE<br>0.3 FPC CONN E/O HSG<br>ASSY (HGT=1.05MM)<br>GOLD PLATING -LEAD FREE- |                          |
|   | 0.25 OVER                                | 0.5 UNDER | ±0.05  | CHECKED BY<br>MTANAKA | DATE<br>2006/03/06  |  |                          |
|   | 0.5 OVER                                 | 1.0 UNDER | ±0.1   | APPROVED BY<br>NUKITA | DATE<br>2006/03/06  |  |                          |
| 1.0 OVER  | 10 UNDER                                 | ±0.2      | MATERIAL NO.   |                       | DOCUMENT NO.  | SHEET NO.  |                          |
| 10 OVER   | 30 UNDER                                 | ±0.25     | SEE TABLE  |                       | SD-500797-005   | 2 OF 2   |                          |
| 30 OVER   |  | ±0.3      | SIZE<br>A3   |                       | THIS DRAWING CONTAINS INFORMATION THAT IS PROPRIETARY TO MOLEX ELECTRONIC TECHNOLOGIES, LLC AND SHOULD NOT BE USED WITHOUT WRITTEN PERMISSION |  |                          |
| J   | ANGULAR ±3 °                             |           | DRAFT WHERE APPLICABLE<br>MUST REMAIN<br>WITHIN DIMENSIONS |                       |   |  |                          |

NOTES

- 製品詳細寸法については図面 SD-500797-005 を参照下さい。  
RE DETAILED DIMENSION, SEE SD-500797-005
- 梱包数量：3000個/リール  
NUMBER OF CONNECTORS : 3000PCS/REEL
- リードテープ長さ LEAD TAPE LENGTH

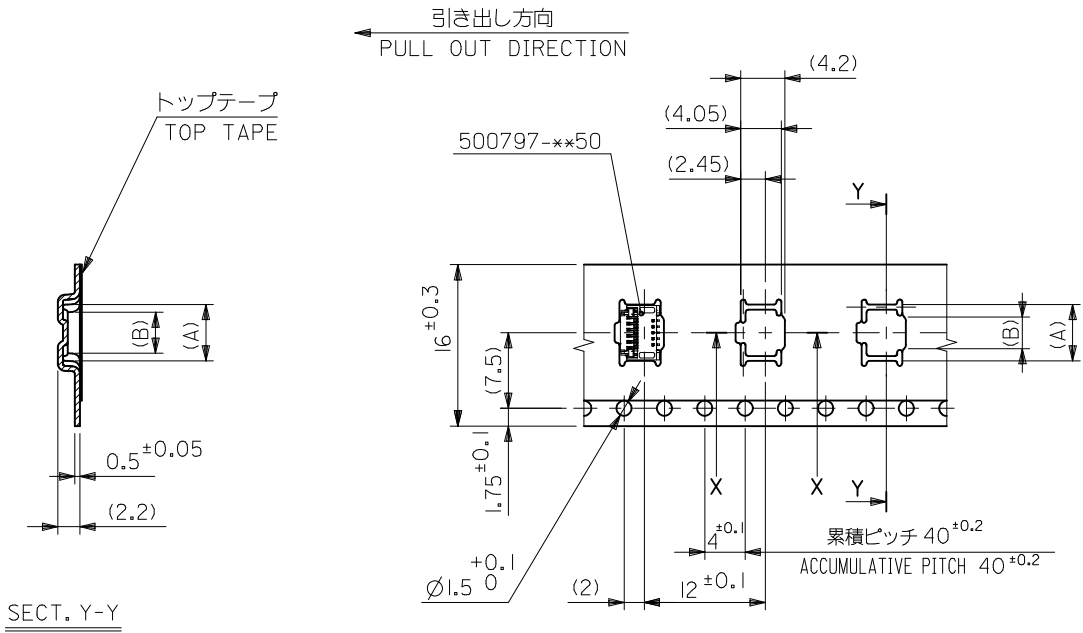


- トップテープの剥離強度：0.1N ~ 1.3N(10.2gf ~ 132.6gf)  
(剥離方向は下図参照)  
尚、本規格値は出荷時に適用。(但し、輸送時に剥離が発生しないこと。)  
PEELING OFF FORCE OF TOP TAPE : 0.1N ~ 0.7N(10.2gf ~ 71.4gf)  
(PEELING DIRECTION AS SHOWN IN FOLLOWING FIG,)  
THIS REQUIREMENT SHOULD BE APPLIED AT SHIPMENT.  
PEEL OFF SHOULD NOT BE ALLOWED , DURING TRANSPORTATION.



- 材料(MATERIAL)  
キャリアテープ(CARRIER TAPE)：ポリプロピレン(POLYPROPYLENE)  
トップテープ(TOP TAPE)：PET, PE, PEF  
リール(REEL)：ポリスチレン(PS) <リサイクル材含む>  
POLYSTYREN (PS) <RECYCLE MATERIAL CONTAINED>
- C寸法は SHEET 2 ~ 4 を参照下さい。  
SEE SHEET 2 ~ 4 (DIMENSION C).
- 欠品無きこと。  
THERE SHALL BE NO MISSING PRODUCTS.

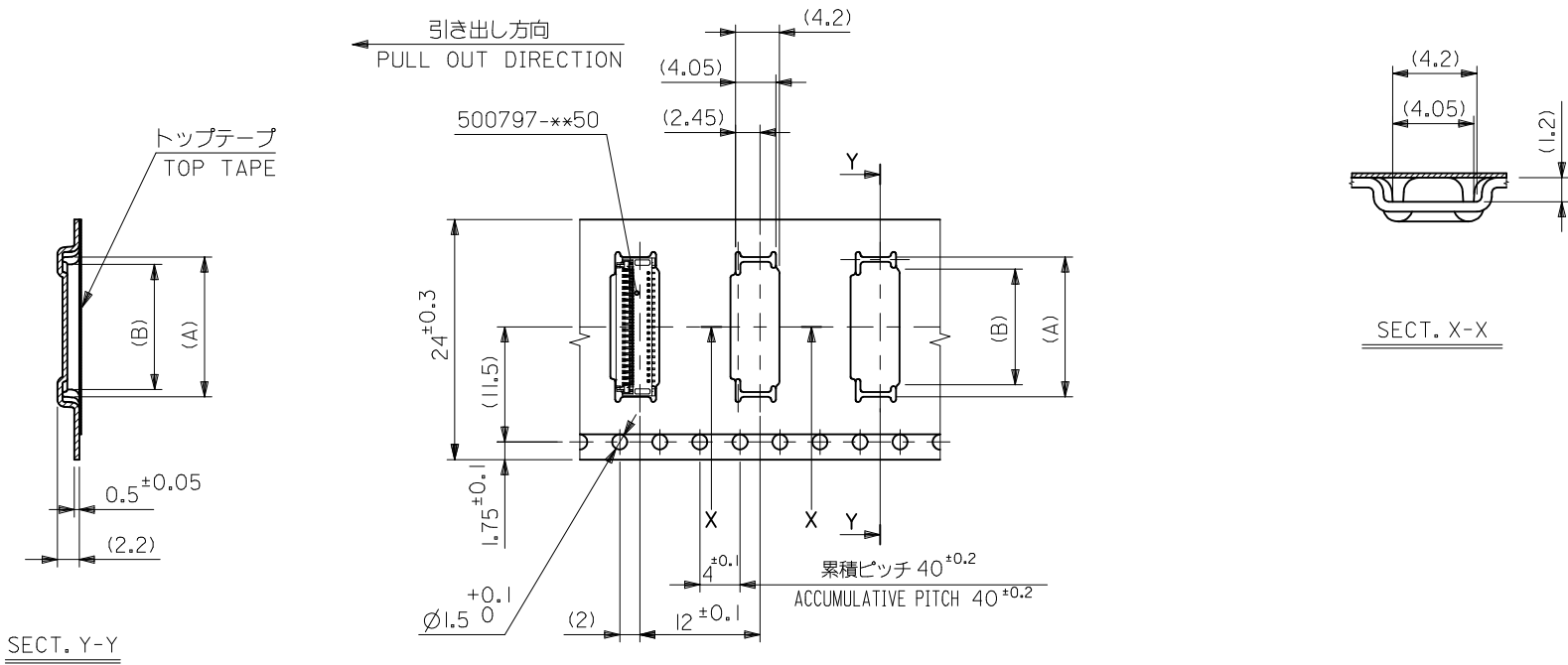
|         |                             |                                       |  |  |  |   |              |                        |           |
|---------|-----------------------------|---------------------------------------|--|--|--|---|--------------|------------------------|-----------|
| REVISED | EC NO: J2016-1099           | GENERAL TOLERANCES (UNLESS SPECIFIED) |  | DIMENSION STYLE                                      |  | SCALE   | DESIGN UNITS | 500797-**94            | MODEL NO. |
|         | DRWN:MTAKASHI 04/2016/04/19 | 0.25 UNDER UNDER ±0.03                |  | MM ONLY  |  | ---   | METRIC       | THIRD ANGLE PROJECTION |           |
|         | CHKD:KATAHASHI 2016/04/26   | 0.25 OVER 0.5 UNDER ±0.05             |  | DRAWN BY DATE  |  | TITLE   |              |                        |           |
|         | APPR:KUSUHARA01 2016/04/28  | 0.5 OVER 1.0 UNDER ±0.1               |  | CHECKED BY DATE                                      |  | EMBSTP PKG FOR 0.3 FPC<br>CONN (HGT=1.05MM)<br>GOLD PLATING -LEAD FREE-   |              |                        |           |
|         |                             | 1.0 OVER 10 UNDER ±0.2                |  | APPROVED BY DATE                                     |  |   |              |                        |           |
|         |                             | 30 OVER 30 UNDER ±0.25                |  | MATERIAL NO. DOCUMENT NO.                            |  |   |              |                        |           |
|         |                             | ANGULAR ±3 °                          |  | DRAFT WHERE APPLICABLE MUST REMAIN WITHIN DIMENSIONS |  | SEE CHART   |              | 1 OF 3                 |           |
|         |                             |                                       |  | SIZE   |  | THIS DRAWING CONTAINS INFORMATION THAT IS PROPRIETARY TO MOLEX ELECTRONIC TECHNOLOGIES, LLC AND SHOULD NOT BE USED WITHOUT WRITTEN PERMISSION |              |                        |           |



16mm幅キャリアテープ  
16mm WIDTH CARRIER TAPE

|                                |      |     |     |                      |           |
|--------------------------------|------|-----|-----|----------------------|-----------|
| 16                             | 17.5 | 3.4 | 5.6 | 500797-1194          | 11        |
| キャリアテープ幅<br>CARRIER TAPE WIDTH | C    | (B) | (A) | 製品番号<br>MATERIAL No. | 極数<br>Ck+ |
|                                |      |     |     | 500797-**-**94       | MODEL No. |

|  |  |           |  |                       |  |  |                           |
|--|--|-----------|--|-----------------------|--|--|---------------------------|
| REVISED<br>EC NO: J2016-1099<br>DRWN:MTAKAHASHI 04/2016/04/19<br>CHKD:KATAHASHI 2016/04/26<br>APPR:KUSUHARA01 2016/04/28 | GENERAL TOLERANCES<br>(UNLESS SPECIFIED) |           | DIMENSION STYLE<br>MM ONLY                                 |                       | SCALE<br>---   | DESIGN UNITS<br>METRIC   | THIRD ANGLE<br>PROJECTION |
|  | 0.25 UNDER                               | UNDER     | ±0.03  | DRAWN BY<br>YMAEDA    | DATE<br>2006/03/07   | TITLE<br>EMBSTP PKG FOR 0.3 FPC<br>CONN (HGT=1.05MM)<br>GOLD PLATING -LEAD FREE- |                           |
|  | 0.25 OVER                                | 0.5 UNDER | ±0.05  | CHECKED BY<br>MTANAKA | DATE<br>2006/03/07   |  |                           |
|  | 0.5 OVER                                 | 1.0 UNDER | ±0.1   | APPROVED BY<br>NUKITA | DATE<br>2006/03/07   |  |                           |
|  | 1.0 OVER                                 | 10 UNDER  | ±0.2   | MATERIAL NO.          | DOCUMENT NO.   | SEE CHART  | SD-500797-006             |
| 10 OVER  | 30 UNDER                                 | ±0.25     | DRAFT WHERE APPLICABLE<br>MUST REMAIN<br>WITHIN DIMENSIONS |                       | THIS DRAWING CONTAINS INFORMATION THAT IS PROPRIETARY TO MOLEX ELECTRONIC<br>TECHNOLOGIES, LLC AND SHOULD NOT BE USED WITHOUT WRITTEN PERMISSION |  |                           |
| 30 OVER  |  | ±0.3      | SIZE<br>A3   |                       |  |  |                           |



24mm幅キャリアテープ  
24mm WIDTH CARRIER TAPE

|                                |      |             |      |                      |           |
|--------------------------------|------|-------------|------|----------------------|-----------|
| 24                             | 25.5 | 10.0        | 12.2 | 500797-3394          | 33        |
|                                |      | 9.4         | 11.6 | 500797-3194          | 31        |
|                                |      | 8.2         | 10.4 | 500797-2794          | 27        |
|                                |      | 7.0         | 9.2  | 500797-2394          | 23        |
| キャリアテープ幅<br>CARRIER TAPE WIDTH | C    | (B)         | (A)  | 製品番号<br>MATERIAL No. | 極数<br>Ck+ |
|                                |      | 500797-**94 |      | MODEL No.            |           |

|  |  |           |  |                       |  |  |                           |
|--|--|-----------|--|-----------------------|--|--|---------------------------|
| REVISED<br>EC NO: J2016-1099<br>DRWN:MTAKAHASHI 2016/04/19<br>CHKD:KTAHAKASHI 2016/04/26<br>APPR:KUSUHARA01 2016/04/28 | GENERAL TOLERANCES<br>(UNLESS SPECIFIED) |           | DIMENSION STYLE<br>MM ONLY                                 |                       | SCALE<br>---   | DESIGN UNITS<br>METRIC   | THIRD ANGLE<br>PROJECTION |
|  | 0.25 UNDER                               | UNDER     | ±0.03  | DRAWN BY<br>YMAEDA    | DATE<br>2006/03/07   | TITLE<br>EMBSTP PKG FOR 0.3 FPC<br>CONN (HGT=1.05MM)<br>GOLD PLATING -LEAD FREE- |                           |
|  | 0.25 OVER                                | 0.5 UNDER | ±0.05  | CHECKED BY<br>MTANAKA | DATE<br>2006/03/07   | <b>molex</b>   |                           |
|  | 0.5 OVER                                 | 1.0 UNDER | ±0.1   | APPROVED BY<br>NUKITA | DATE<br>2006/03/07   |  |                           |
|  | 1.0 OVER                                 | 10 UNDER  | ±0.2   | MATERIAL NO.          | DOCUMENT NO.   | SD-500797-006  | SHEET NO.<br>3 OF 3       |
| 10 OVER  | 30 UNDER                                 | ±0.25     | SEE CHART  |                       |  |  |                           |
| 30 OVER  |  | ±0.3      | DRAFT WHERE APPLICABLE<br>MUST REMAIN<br>WITHIN DIMENSIONS |                       | THIS DRAWING CONTAINS INFORMATION THAT IS PROPRIETARY TO MOLEX ELECTRONIC<br>TECHNOLOGIES, LLC AND SHOULD NOT BE USED WITHOUT WRITTEN PERMISSION |  |                           |